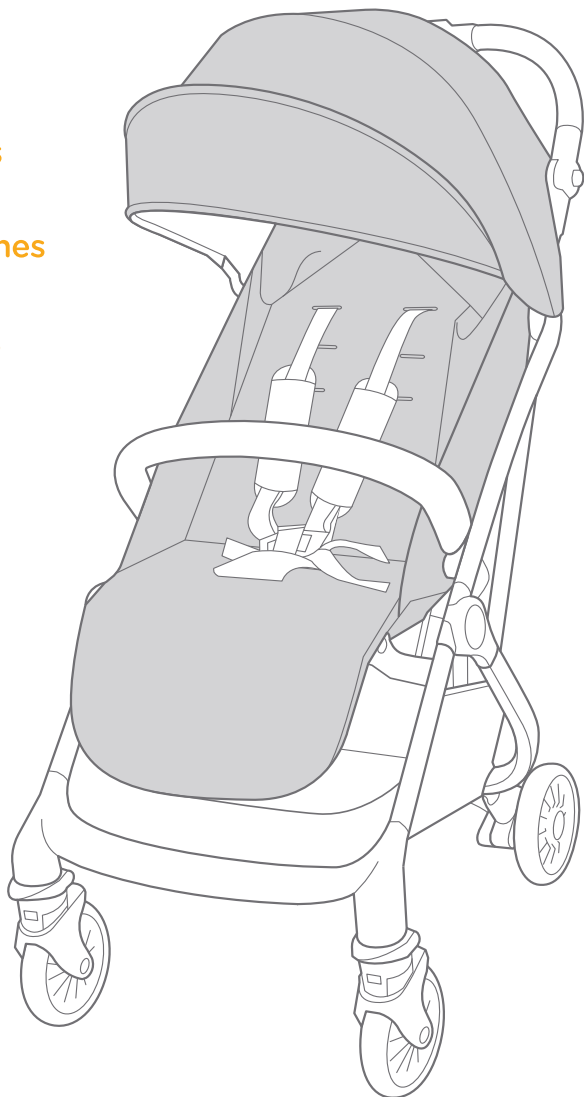


Joie™

birth to 15kg/(birth - 36 months)

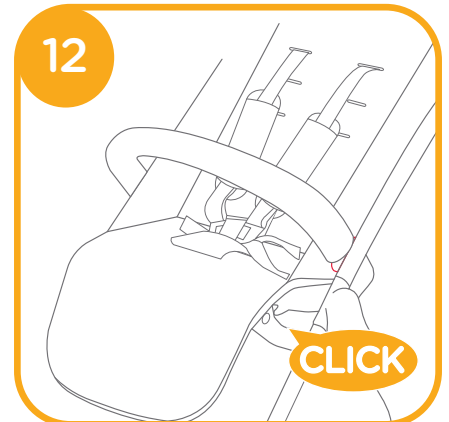
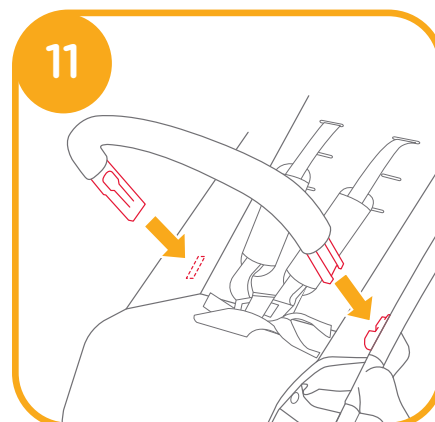
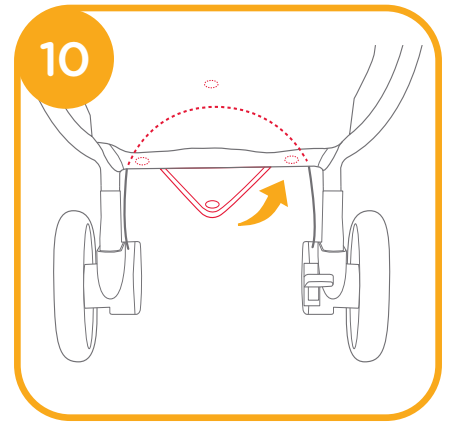
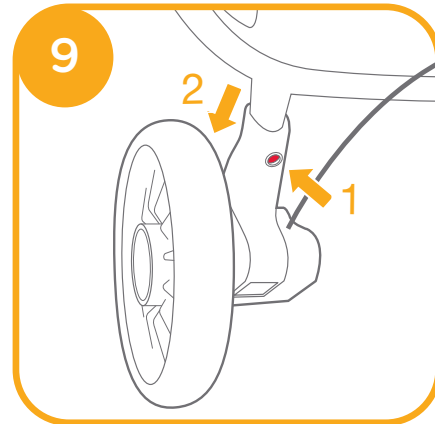
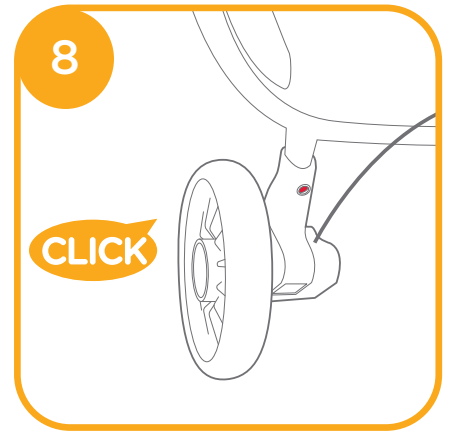
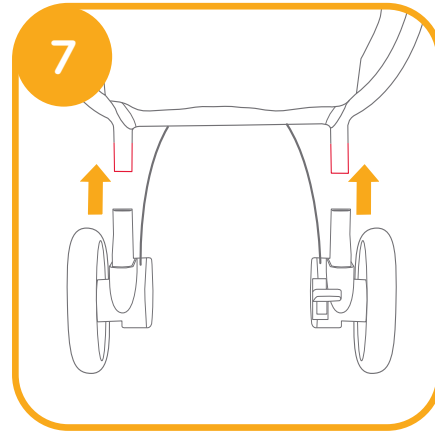
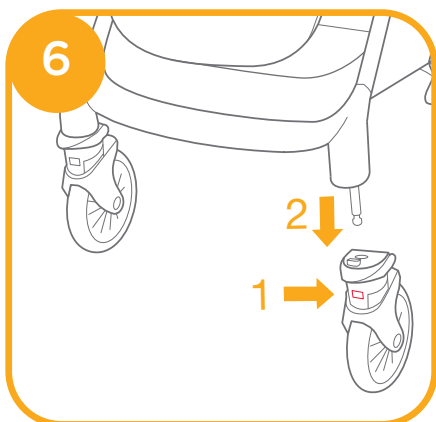
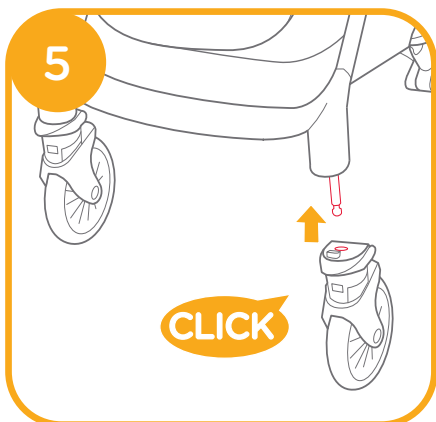
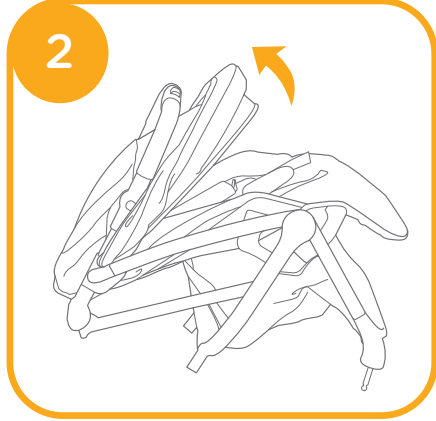
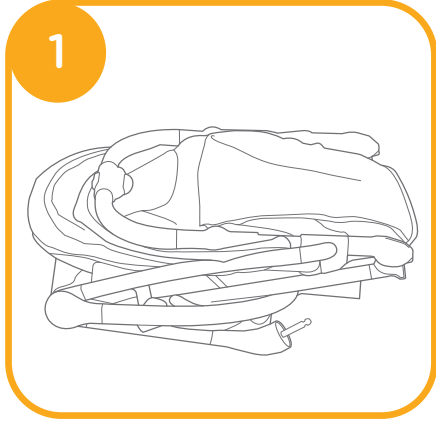
tourist™ stroller

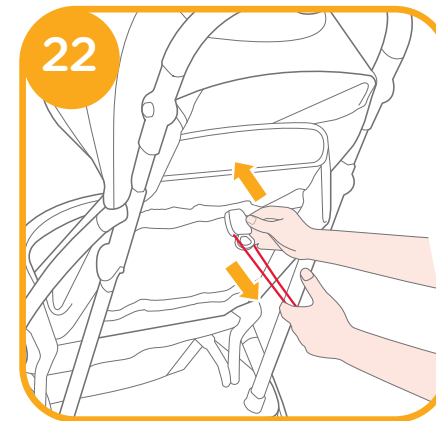
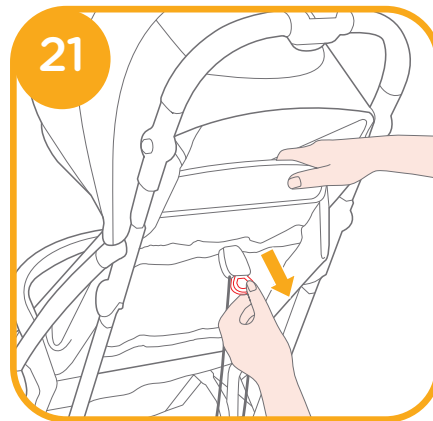
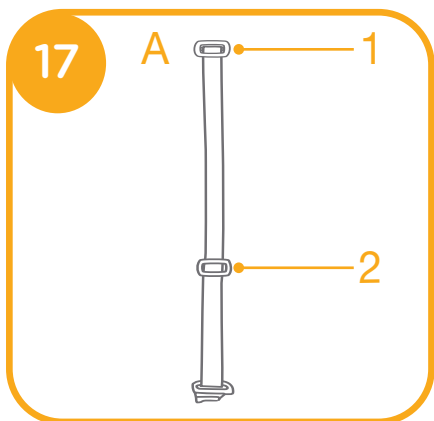
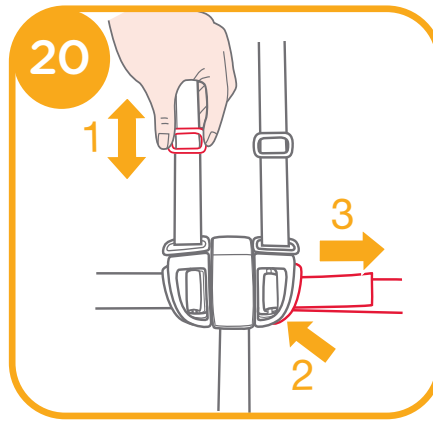
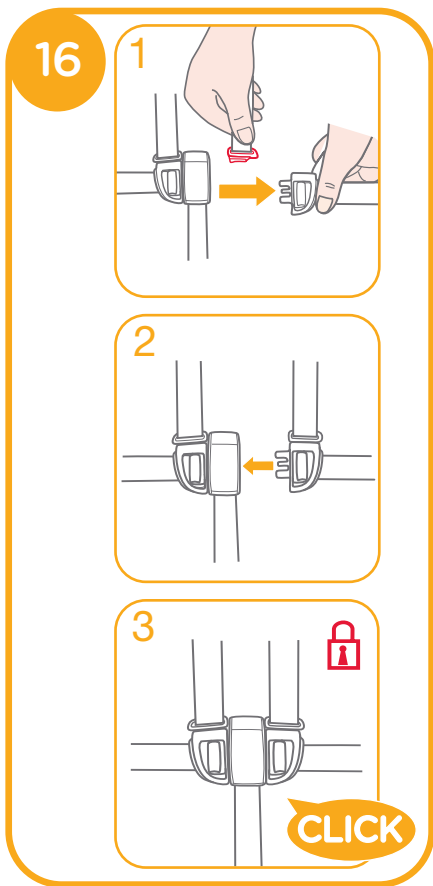
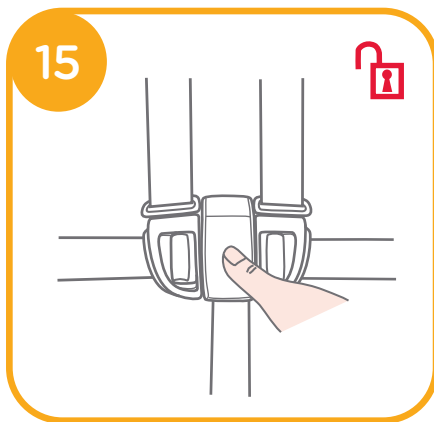
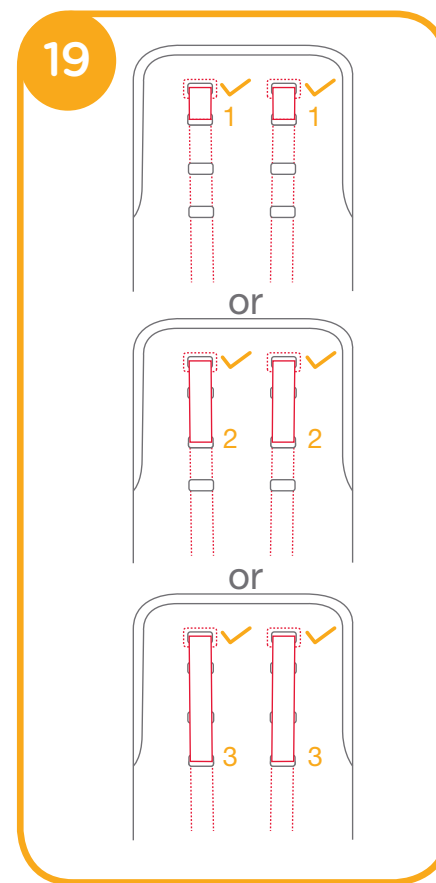
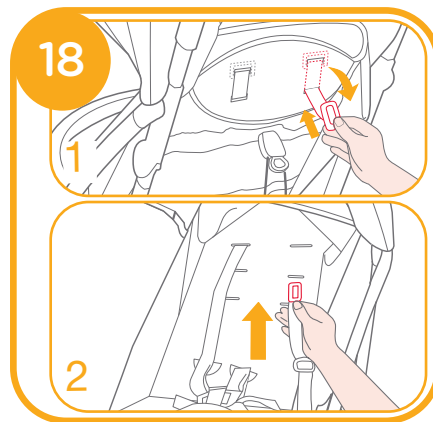
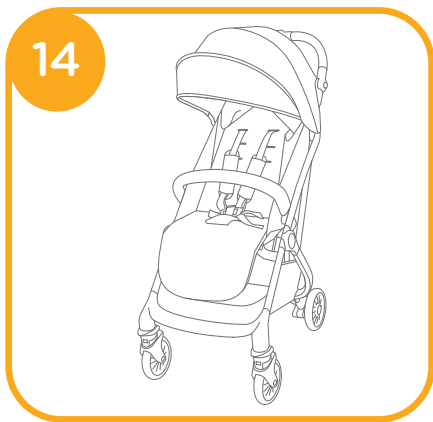
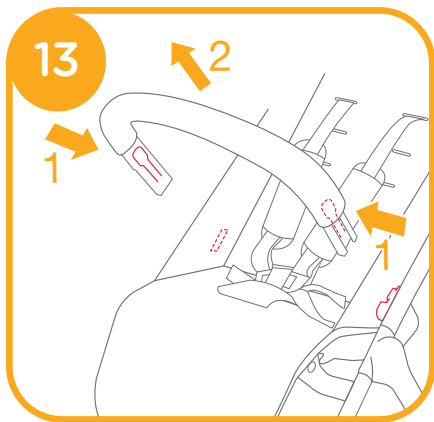
- GB Instruction Manual
- FR Manuel d'instructions
- DE Bedienungsanleitung
- ES Manual de instrucciones
- NL Handleiding
- PT Manual de Instruções
- PL Instrukcja obsługi
- EL Εγχειρίδιο Οδηγιών
- DA Instruktions manual
- RU Руководство по эксплуатации
- TR Kullanma Kılavuzu
- AR دليل التعليمات
- CH 說明書
- KR 사용 설명서
- IT Manuale di Istruzioni
- HU Használati utasítás
- CZ Návod k obsluze
- SK Návod na použitie

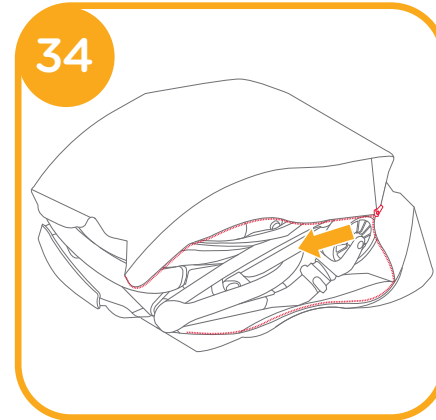
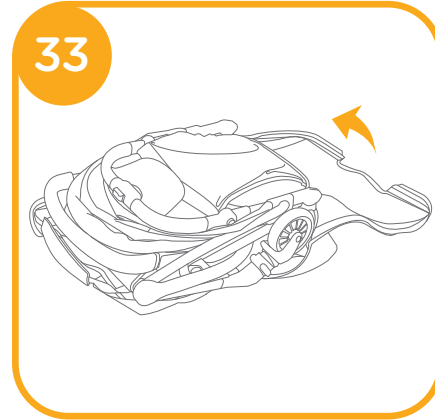
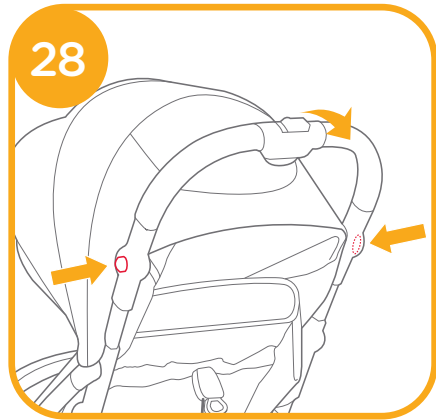
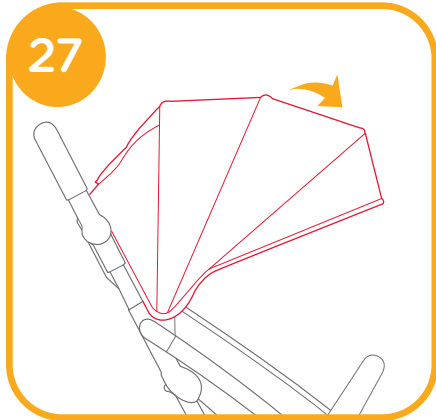
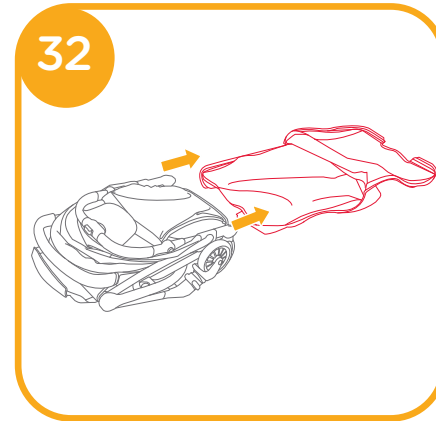
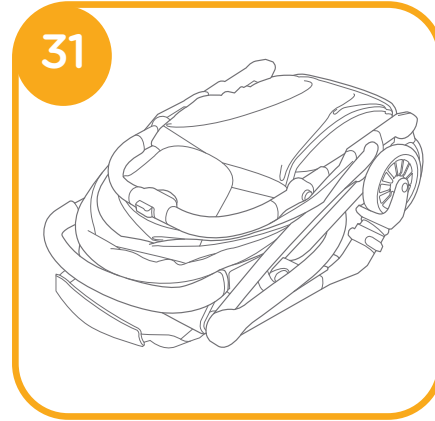
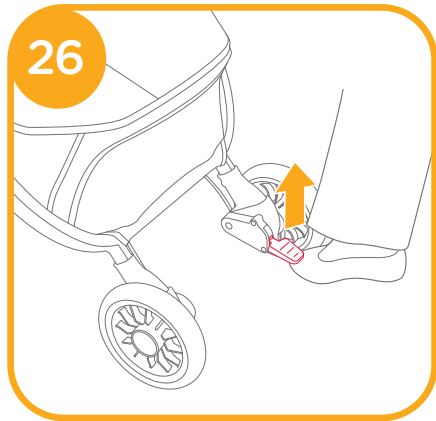
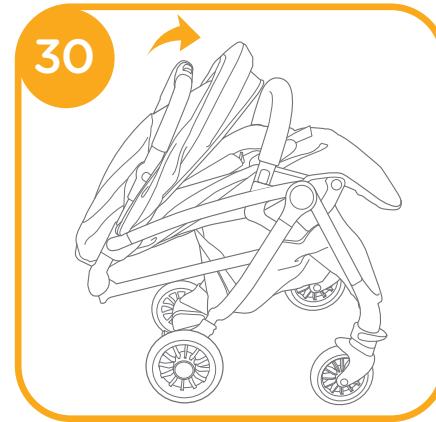
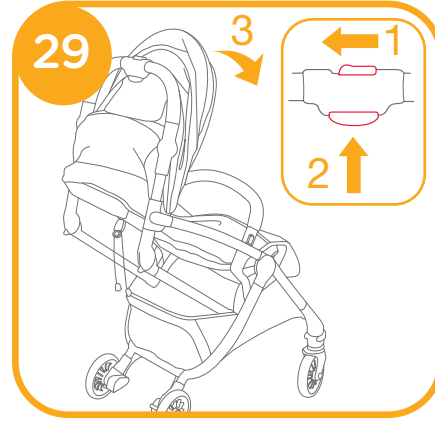
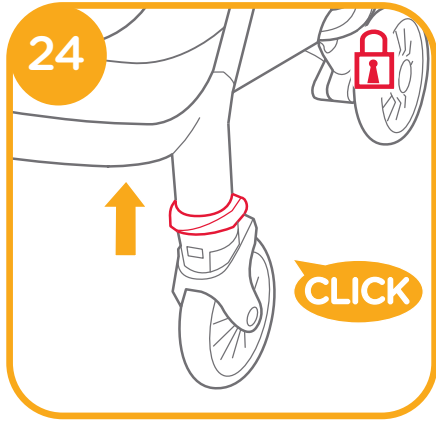


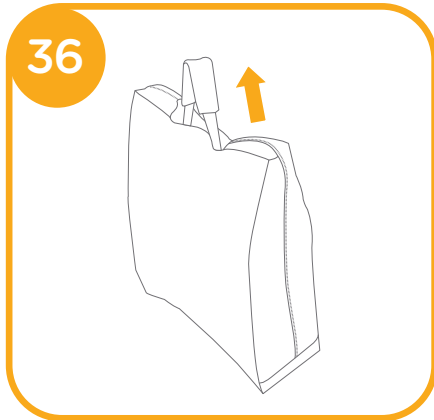
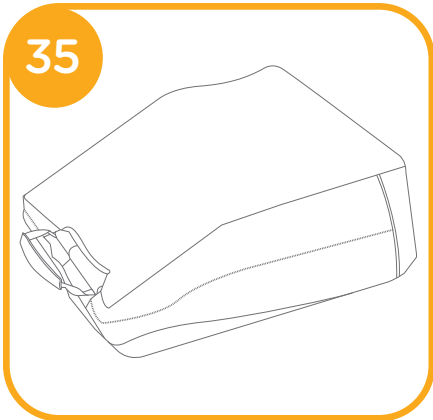
IMPORTANT - READ CAREFULLY AND KEEP FOR FUTURE REFERENCE.

Stroller Assembly

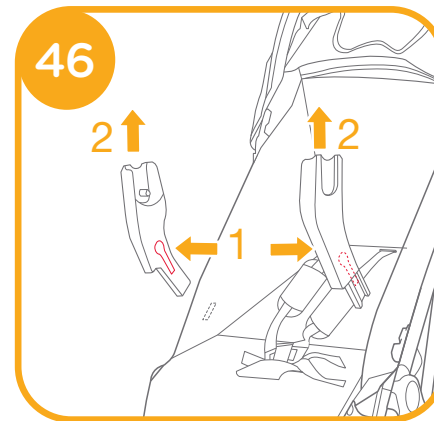
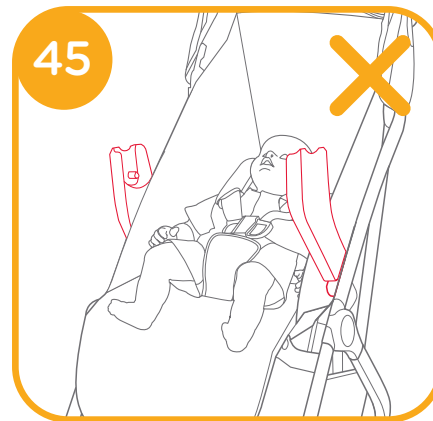
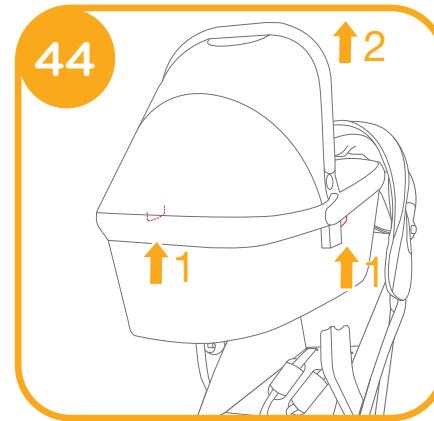
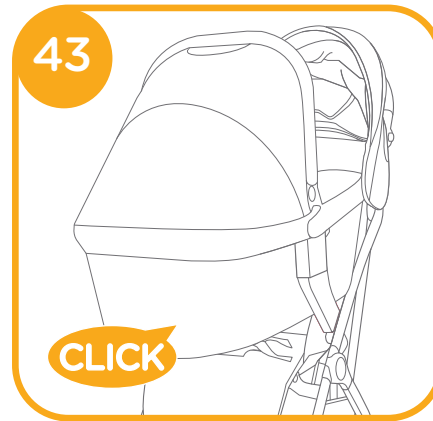
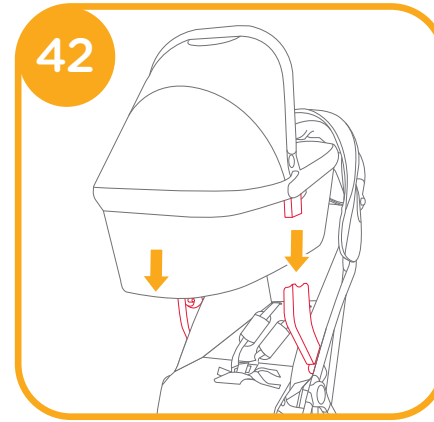
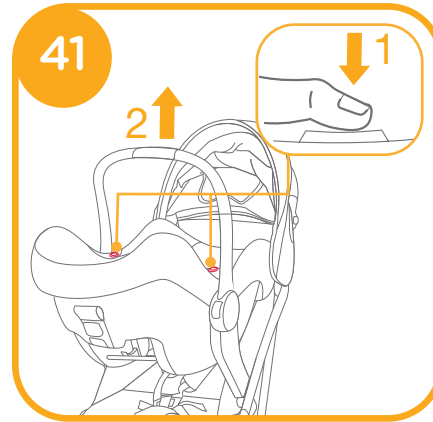
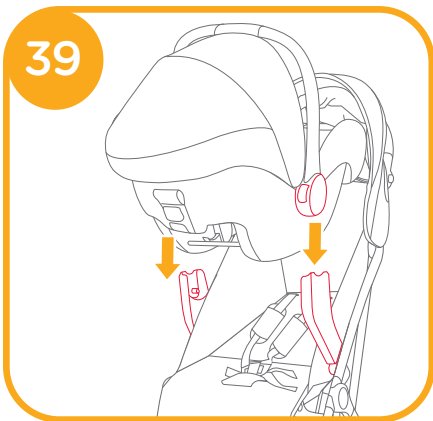
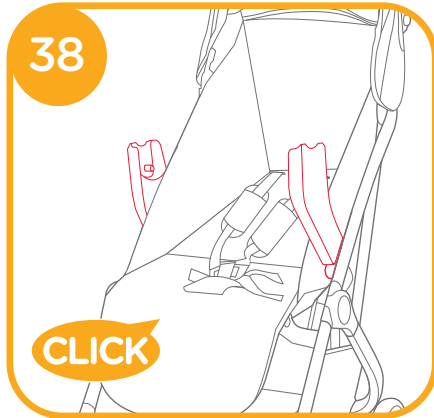
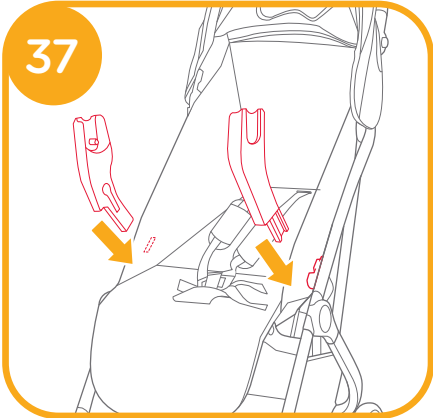


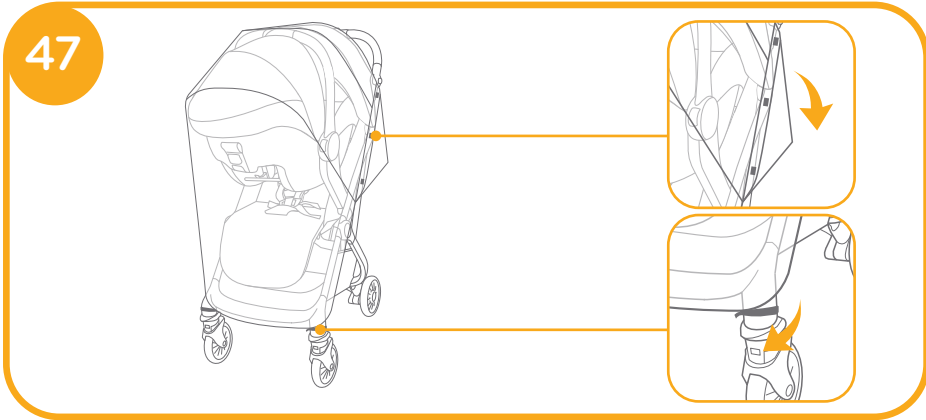




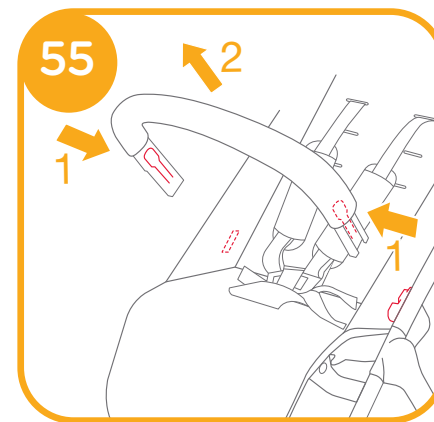
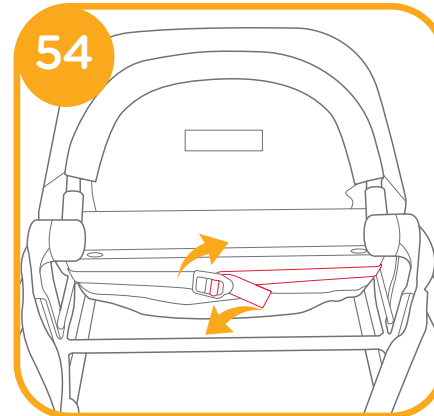
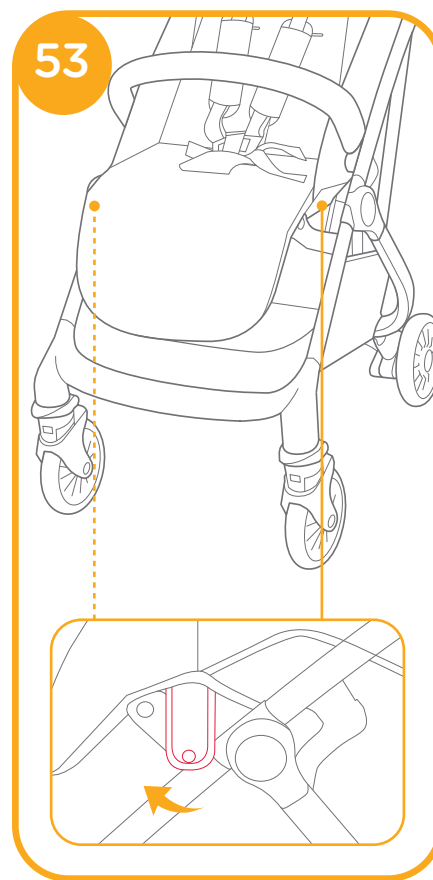
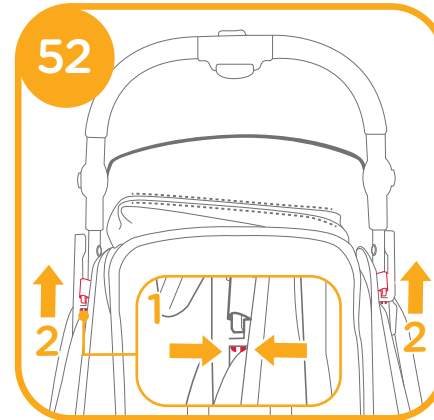
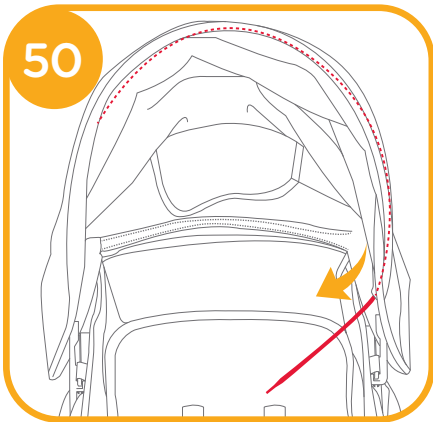
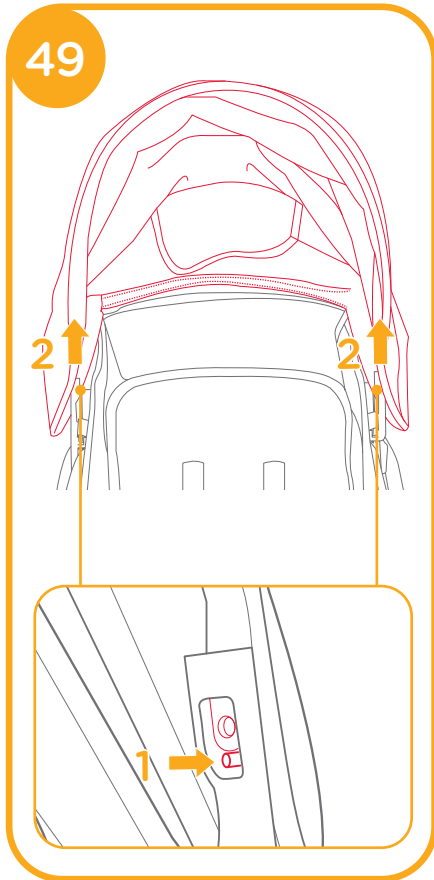
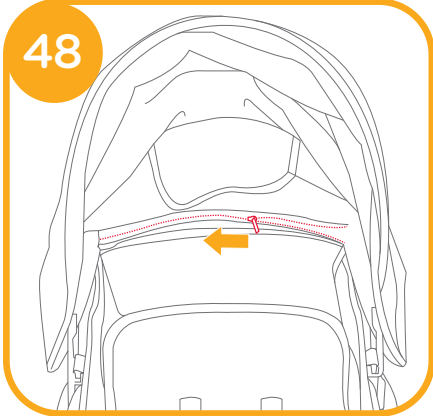


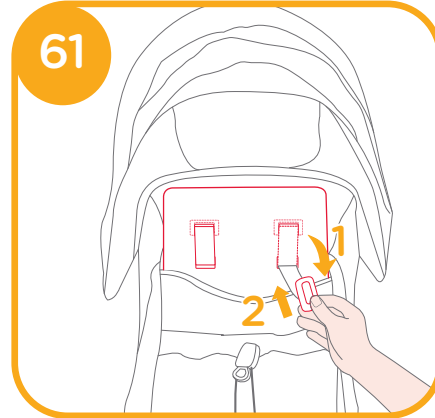
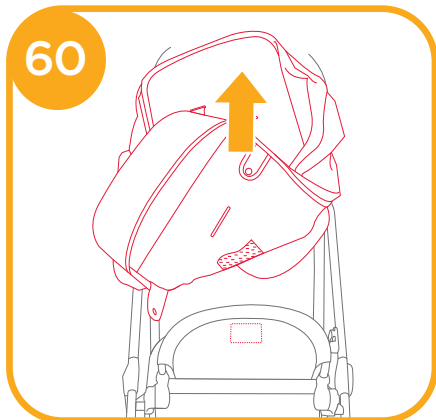
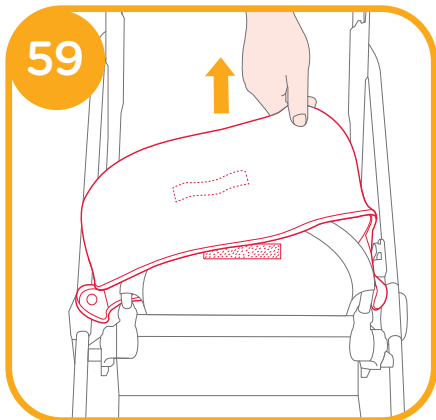
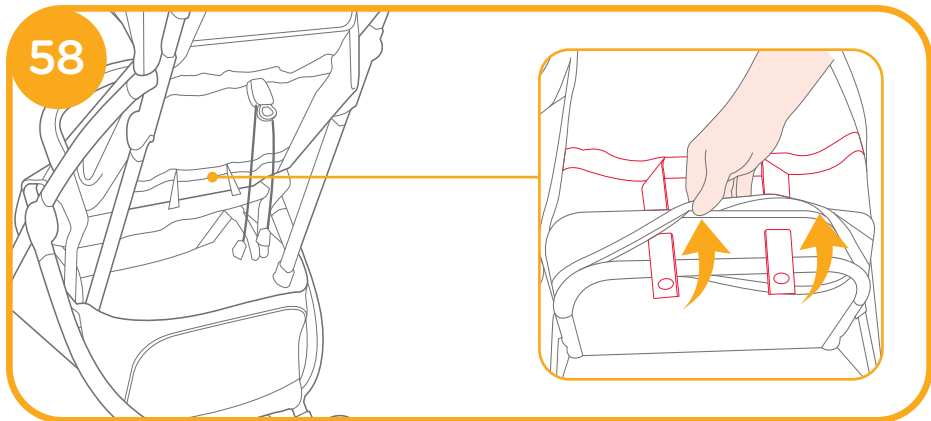
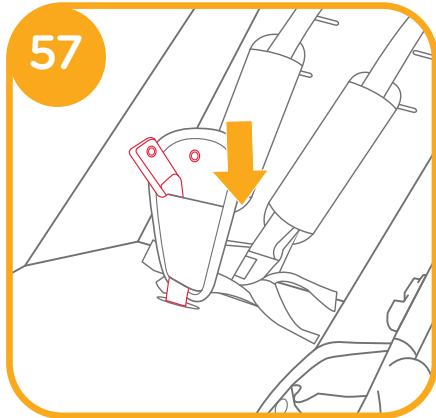
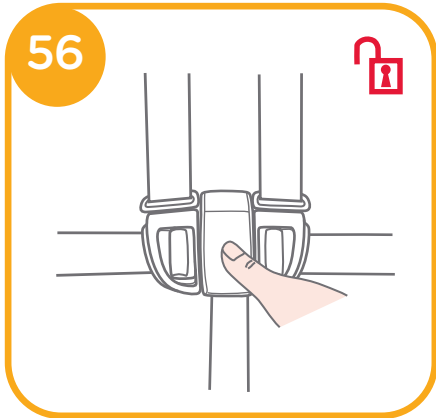
Accessories (May not be included in purchase)
 Accessories may be sold separately or may not be available depending on region.



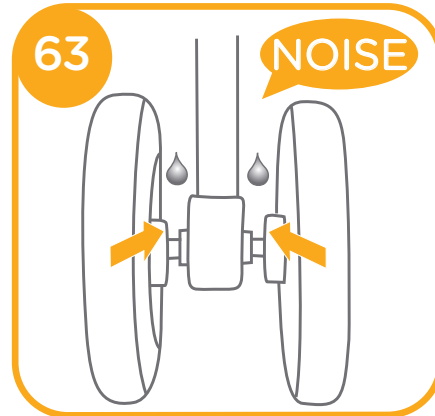


Detach Soft Goods





Care and Maintenance



Welcome to Joie™

Congratulations on becoming part of the Joie family! We are so excited to be part of your journey with your little one. While traveling with the Joie Tourist™ Signature, you are using a high quality, fully certified stroller, approved to European safety standards EN 1888-1:2018. This product is suitable for use with children weighing under 15kg. Please carefully read this manual and follow each step to ensure a comfortable ride and best protection for your child.

Visit us at joiebaby.com to download manuals and see more exciting Joie products!

For warranty information, please visit our website at joiebaby.com

Contents

Figures	1-12
WARNING	17
Stroller Assembly	20
Open Stroller	20
Assemble & Detach Front Wheel	20
Assemble & Detach Rear Wheel	20
Assemble & Detach Armbar	20

Stroller Operation	21
Use Buckle	21
Use Shoulder & Waist Harnesses	21
Adjust Backrest	22
Adjust Calf Support	22
Use Front Swivel Lock	23
Use Brake	23
Use Canopy	23
Use Shoulder Harness Cover and Crotch Harness Cover	23
Adjust Handle	23
Fold Stroller	24
Use Accessories	24
Use with Infant Child Restraint or Carry Cot	24
Use Rain Cover	24
Detach Soft Goods	25
Care and Maintenance	25

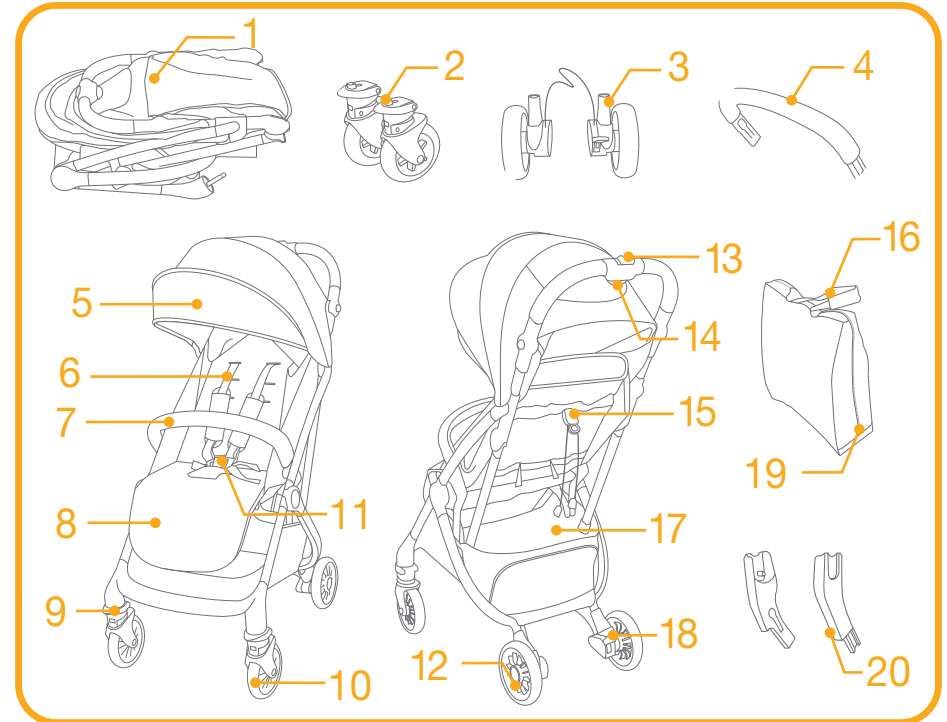
Emergency

In case of emergency or accident, it is most important to have your child taken care of with first aid and medical treatment immediately.

Product Information

Read all the instructions in this manual before using this product. If you have any further questions, please consult the retailer. Some features may vary depending on model.

Product	Tourist Stroller
Suitable for	Child weighing under 15kg (birth - 36 months)
Materials	Plastics, metals, fabrics
Patent No.	Patents pending
Made in	China
Brand Name	Joie
Website	www.joiebaby.com
Manufacturer	Allison Baby UK Ltd.



Parts List

Make sure all parts are available before assembly. If any part is missing, please contact local retailer. No tools are required for assembly.

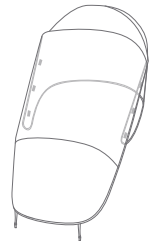
1 Stroller Frame	11 Buckle
2 Front Wheel	12 Rear Wheel
3 Rear Wheel	13 Secondary Lock
4 Armbar	14 One-Hand-Fold Handle
5 Canopy	15 Backrest Adjuster
6 Shoulder Harness	16 Carry Strap
7 Armbar	17 Storage Basket
8 Calf Support	18 Brake Lever
9 Swivel Lock	19 Carry Bag
10 Front Wheel	20 Adapter

Accessories

(May not be included)

Rain Cover

Accessories may be sold separately or may not be available depending on region.



WARNING

- ! WARNING Always use the restraint system. Safety belts and restraint systems must be used correctly.
- ! WARNING Ensure that all the locking devices are engaged before use.
- ! WARNING Do not let the child play with this product.
- ! WARNING Check that the pram body or car seat attachment devices are correctly engaged before use.
- ! Adult assembly required.
- ! Use the stroller with a child weighing less than 15kg. It will cause damage to the stroller with an unfitted child.
- ! To prevent a hazardous, unstable condition, do not place more than 4.5kg in the storage basket.
- ! WARNING Never leave the child unattended. Always keep child in view while in stroller.
- ! Use the stroller with only one child at a time. Never place purses, shopping bags, parcels or accessory items on the handle or canopy.
- ! Accessories which are not approved by the manufacturer shall not be used. Only replacement parts supplied or recommended by the manufacturer shall be used.
- ! Never use accessories, parts or components not produced or approved by the manufacturer. Please read the instruction manual carefully.
- ! Please read all the instructions in the manual before using the product. Please save instruction manual for future use. Failure to follow these warnings and instructions may result in serious injury or death.
- ! To avoid serious injury from falling or sliding out, always use seat belt.
- ! Make sure your child's body is clear from the moving parts when adjusting the stroller.
- ! Be sure the stroller is fully open or folded before allowing child near the stroller.
- ! Child may slip into leg openings and be strangled if the harness is not used.
- ! Never use stroller on stairs or escalators.
- ! Keep away from high temperature objects, liquids, and electronics.
- ! Never allow your child to stand on the stroller or sit in the stroller with head toward front of stroller.
- ! Never place the stroller on roads, slopes or dangerous areas.
- ! To avoid strangulation, DO NOT place items with a string around your child's neck, suspend strings from this product, or attach strings to toys.
- ! Any load attached to the handle and/or on the back of the backrest and/or on the sides of the stroller will affect the stability of the stroller.
- ! DO NOT lift stroller while child is in stroller.
- ! DO NOT use storage basket as a child carrier.
- ! To prevent tipping, never let child climb the stroller. Always lift the child in and out of the stroller.
- ! To avoid finger entrapment, use care when folding and unfolding the stroller.
- ! WARNING To avoid injury ensure that the child is kept away when unfolding and folding this product.
- ! To ensure your child's safety, please make sure all parts are assembled and fastened properly before using the stroller.
- ! To avoid strangulation, do make sure your child is clear from the canopy and the rain cover.
- ! Always engage the brakes when parking the stroller.
- ! Discontinue using stroller if it is damaged or broken.

- ! Stroller to be used only at walking speed. This product is not intended for use while jogging.
- ! To avoid suffocation, remove plastic bag and packaging materials before using this product. The plastic bag and packaging materials should then be kept away from babies and children.
- ! This product is not suitable for running or skating.
- ! Pushchair designed to be used from birth shall recommend the use of the most reclined position for new born babies.
- ! The parking device shall be engaged when placing and removing children.
- ! Carry cot is only suitable for a child who cannot sit up unaided, roll over and cannot push itself up on its hands and knees. Maximum weight of the child: 9kg.
- ! Carry cot is NOT to be used for long term sleeping.
- ! DO NOT use or add any mattress other than the one supplied with the carry cot.
- ! For infant child restraints used in conjunction with a chassis, this vehicle does not replace a cot or a bed. Should your child need to sleep, then it should be placed in a suitable pram body, cot or bed.

Stroller Assembly

(Please refer to figures on page 1-12)

Please read all the instructions in this manual before assembling and using this product.

Open Stroller

see images ① - ④

- ! Check that the stroller is completely latched before continuing to use.

Assemble & Detach Front Wheel

see images ⑤ - ⑥

Assemble & Detach Rear Wheel

see images ⑦ - ⑩

- ! The rear wheels can be disassembled by pressing the snap buttons. ⑨
- ! Wrap the storage basket around frame and brake axle, and then snap into place. ⑩

Assemble & Detach Armbar

see images ⑪ - ⑬

The completely assembled stroller is shown as ⑭

Stroller Operation

Use Buckle

see images 15 - 16

Release Buckle

Press the center button to release the buckle. 15

Lock Buckle

Match the waist belt buckle with the shoulder buckle 16 - 1, and click into the center buckle. 16 - 2 A “click” sound means the buckle is locked completely. 16 - 3

- ! To avoid serious injury from falling or sliding out, always secure your child with harness.
- ! Make sure your child is snugly secured. The space between the child and the shoulder harness is about the thickness of one hand.
- ! Do not cross the shoulder belts. This will cause pressure on a child’s neck.

Use Shoulder & Waist Harnesses

see images 17 - 20

! In order to protect your child from falling out, after your child is placed into the seat, check whether the shoulder and waist harnesses are at proper height and length.

17 - 1 Shoulder harness anchor A

17 - 2 Slide adjuster

For larger child, use shoulder harness anchor A and the highest shoulder slots. For smaller child, use shoulder harness anchor A and the lowest shoulder slots.

To adjust the position of the shoulder harness, twist the harness strap from the top anchor position. 18 - 1 Then feed the strap through to the front of the seat, Adjust the height as required and feed back through. 18 - 2

Ensure shoulder strap is now placed back through the top anchor position. 19

! Once the shoulder harness height is set, the strap MUST also be fixed through the highest slot in the backrest.

Use slide adjuster to change the harness length. 20 - 1

Press the button 20 - 2, while pulling the waist harness to proper length. 20 - 3

Adjust Backrest

see images 21 - 22

Recline Backrest

Pull tab to recline backrest. 21

! Hold the backrest with the other hand if a child is already seated in the stroller.

Raise Backrest

Hold both left and right strings and push up the angle adjuster to raise backrest. 22

! Make sure the recline is set properly for use.

Adjust Calf Support

see images 23

The calf support has 2 positions.

Raise Calf Support

To raise the calf support, just push it upwards. A “click” sound means the calf is locked completely.

Lower Calf Support

Press the adjustment buttons on both sides of the calf support 23 - 1, and rotate the calf support downwards. 23 - 2

Use Front Swivel Lock

see images 24

Push up the front swivel locks to maintain the moving direction. 24

Tip It is recommended to use swivel locks on uneven surfaces.

Use Brake

see images 25 - 26

To lock wheels, step the brake lever downwards. 25

To release wheels, just lift the brake lever upwards. 26

Tip Always set the parking brake when stroller is not moving.

Use Canopy

see images 27

The canopy can be opened or folded, pull it toward front or back. 27

Use Shoulder Harness Cover and Crotch Harness Cover

The shoulder harness cover or crotch harness cover can be removed from the webbing. To assemble shoulder harness cover and crotch harness cover in reverse steps.

Adjust Handle

see images 28

Handle can be adjusted to 3 positions.

To adjust the handle, press the left and right handle adjustment buttons at the same time, and rotate the handle to a desirable position.

Fold Stroller

see images 29 - 36

! Please fold the canopy before folding the stroller.

Push secondary lock 29 - 1 and squeeze one-hand-fold button 29 - 2. Push the stroller forward to fold.

! Grab the carry bag, the stroller will follow you. 36

Use Accessories

Accessories may be sold separately or may not be available depending on region.

Use with Infant Child Restraint or Carry Cot

see images 37 - 46

When using with Joie child restraint i-Level, i-Snug, gemm, i-Gemm or Ramble, please refer to the following instructions.

! If you have any problems about using the infant child restraint or carry cot, please refer to their own instruction manuals.

! Please do not fold the stroller when the infant child restraint or carry cot is still attached.

Use Rain Cover

see images 47

To assemble the rain cover, place it over the stroller, and then attach the seaps and hook and loop fasteners on the rain cover.

! Before using the rain cover, please make sure the backrest has been adjusted to the lowest position and the infant child restraint has been fastened.

! When using the rain cover, please always check its ventilation.

! When not in use, please check that the rain cover has been cleaned and dried before folding.

! Do not fold the stroller after assembling the rain cover.

! Do not place your child into the stroller assembled with rain cover during hot weather.

! When using your stroller at the beach, completely clean your stroller after use to remove sand and salt from mechanisms and wheel assemblies.

Detach Soft Goods

see images 48 - 62

1. Follow steps 48 - 62 to detach soft goods.

! Please keep the canopy wire well after removing it, and must assemble the canopy wire while assembling the canopy.

2. To re-attach the soft goods please repeat the above steps in the reverse step.

Care and Maintenance

see images 63

! Removable seat pad may be washed in cold water and drip-dried. No bleach. Please refer to the care label for instructions on cleaning the fabric parts of the stroller.

! To clean stroller frame, use only household soap and warm water. No bleach or detergent. Periodically wipe clean plastic parts with a soft damp cloth. Always dry the metal parts to prevent the formation of rust if the stroller has come into contact with water.

! From time to time, check your stroller for loose screws, worn parts, torn material or stitching. Replace or repair the parts as needed.

! Excessive exposure to sun or heat could cause fading or warping of parts.

! If stroller becomes wet, open hood and allow to dry thoroughly before storing.

! If wheels squeak, use a light oil (e.g., Silicon Spray, antirust oil, or sewing machine oil). It is important to get the oil into the axle and wheel assembly. 63

FR Bienvenue dans l'univers de Joie™

Félicitations d'avoir rejoint la famille Joie en choisissant cette poussette. Lorsque vous ferez voyager votre enfant dans la poussette Tourist™ de Joie, soyez sûrs que vous utilisez une poussette de grande qualité, certifiée et homologuée aux normes de sécurité européennes EN 1888-1:2018. Ce produit convient aux enfants de moins de 15 kg. Veuillez lire attentivement ce manuel avant la première utilisation et suivre les recommandations afin d'utiliser la poussette dans les meilleures conditions de confort et de sécurité.

Important Conserver ces instructions pour consultations ultérieures.

Consultez notre site joiebaby.com pour télécharger les manuels d'utilisation et découvrir les autres produits de la marque Joie !

Pour obtenir des informations sur la garantie, veuillez vous rendre sur notre site joiebaby.com

Sommaire

Schémas	1-12
AVERTISSEMENT	31
Assemblage de la poussette	34
Ouverture de la poussette	34
Montage et démontage des roues avant	34
Montage et démontage des roues arrière	34
Montage et démontage de la barre d'appui	34

Fonctionnement de la poussette	34
Utilisation de la boucle du harnais	35
Utilisation des harnais aux épaules et à la taille	35
Réglage du dossier	36
Réglage du repose-jambes	36
Verrouillage des roues avant	37
Utilisation du frein	37
Utilisation de la capote	37
Utilisation des protèges harnais	37
Réglage de la poignée	37
Pliage de la poussette	38
Utilisation des accessoires	38
Utilisation avec une coque ou une nacelle	38
Utilisation de l'habillage de pluie	38
Déhoussage de l'assise	39
Entretien et réparation	39

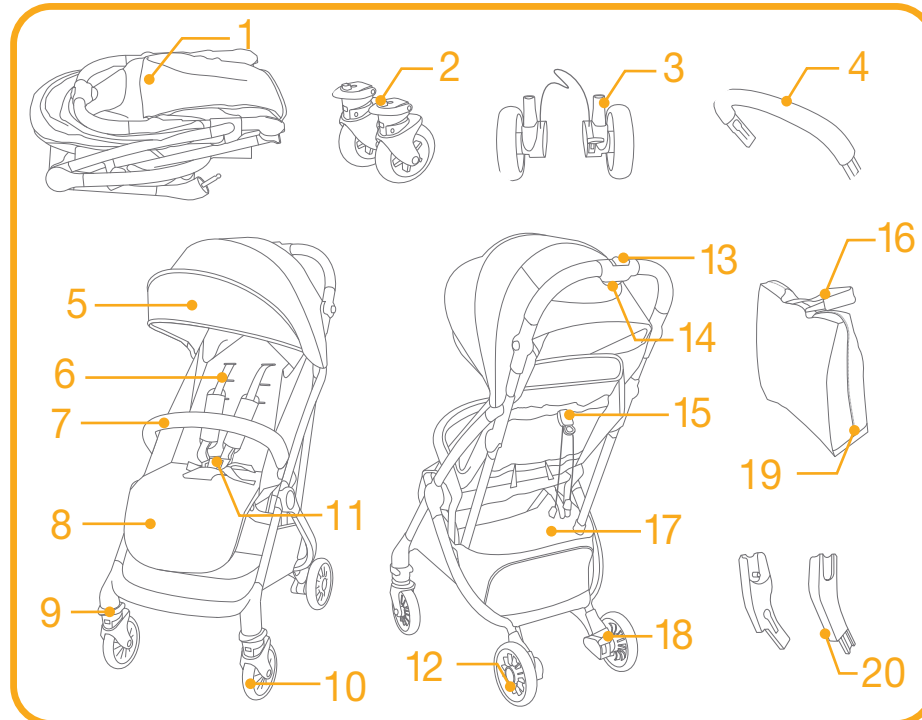
Urgence

En cas d'urgence ou d'accident, il est très important de prendre immédiatement soin de votre enfant en lui prodiguant les soins de premiers secours puis en le faisant examiner par un médecin.

Informations sur le produit

Lisez toutes les instructions de ce manuel avant d'utiliser ce produit. Pour toutes questions supplémentaires, veuillez consulter le revendeur. Certaines fonctionnalités peuvent ne pas être présentes sur certains modèles.

Produit	Poussette Tourist
Convient aux	Enfants pesant moins de 15 kg (de la naissance jusqu'à 36 mois)
Matériaux	Plastiques, métaux, tissus
N° brevet.	Brevets en attente
Fabriqué en	Chine
Nom de marque	Joie
Site Web	www.joiebaby.com
Fabricant	Allison Baby UK Ltd.



Liste des pièces

Assurez-vous que toutes les pièces sont présentes avant le montage. Si une pièce est manquante, contactez votre revendeur local. Le montage ne nécessite aucun outil.

1 Châssis de la poussette	11 Boucle
2 Roue avant	12 Roue arrière
3 Roue arrière	13 Verrouillage secondaire
4 Barre d'appui	14 Poignée de pliage à une main
5 Capote	15 Dispositif de réglage du dossier
6 Harnais aux épaules	16 Sangle de transport
7 Barre d'appui	17 Panier de rangement
8 Repose-jambes	18 Frein au pied
9 Verrouillage des roues avant	19 Sac de transport
10 Roue avant	20 Adaptateur

Accessoires

(Peuvent ne pas être inclus)

Habillage de pluie

Les accessoires peuvent être vendus séparément ou ne pas être disponibles selon la région.



AVERTISSEMENT

- ! AVERTISSEMENT: Important - A lire attentivement et à conserver pour référence ultérieure
- ! AVERTISSEMENT : Ne jamais laisser un enfant sans surveillance.
- ! AVERTISSEMENT : S'assurer que tous les dispositifs de verrouillage sont enclenchés avant utilisation.
- ! AVERTISSEMENT : Pour éviter toute blessure, maintenir l'enfant à l'écart lors du dépliage ou du pliage du produit.
- ! AVERTISSEMENT : Ne jamais laisser un enfant jouer avec ce produit.
- ! AVERTISSEMENT: Utiliser un harnais dès que l'enfant peut tenir assis tout seul
- ! AVERTISSEMENT: Toujours utiliser le système de retenue
- ! AVERTISSEMENT: Vérifier que les dispositifs de fixation de la nacelle, du siège ou du siège-auto sont correctement enclenchés avant utilisation
- ! AVERTISSEMENT : Ce produit ne convient pas pour faire du jogging ou des promenades en rollers.
- ! Le montage du produit doit être effectué par un adulte.
- ! La poussette s'utilise avec un enfant pesant moins de 15 kg. L'enfant doit toujours être attaché; dans le cas contraire cela peut endommager la poussette.
- ! Pour éviter des situations dangereuses ou instables, ne placez pas plus de 4,5 kg dans le panier de rangement.
- ! Ne jamais laisser l'enfant sans surveillance. Ne perdez jamais de vue l'enfant quand il est dans la poussette.
- ! Utilisez la poussette avec un seul enfant à la fois. Ne mettez jamais les sacs à main, les sacs de courses, les paquets ou les accessoires sur la poignée ou la capote.
- ! Les accessoires non homologués par le fabricant ne doivent pas être utilisés. Seules des pièces de rechange fournies ou conseillées par le fabricant doivent être utilisées.
- ! N'utilisez jamais les accessoires, pièces ou composants non produits ou approuvés par le fabricant. Lisez attentivement le manuel d'utilisation.

- ! Lisez toutes les consignes de ce manuel avant d'utiliser le produit. Conservez le guide d'utilisation pour toute référence future. Le non respect des avertissements ou des consignes peut entraîner des blessures graves, pouvant également entraîner la mort.
- ! Utilisez toujours les harnais de sécurité pour éviter que l'enfant ne se blesse en tombant ou en glissant de l'assise.
- ! Assurez-vous que le corps de votre enfant est exempt des pièces mobiles lors du réglage de la poussette.
- ! Ne pliez et n'ouvrez jamais la poussette à côté de votre enfant.
- ! L'enfant peut glisser en sous marinage et être étranglé si le harnais n'est pas attaché.
- ! N'utilisez jamais la poussette dans des escaliers ou des escaliers mécaniques.
- ! Ne placez pas dans la poussette des objets chauds, des liquides ou des appareils électroniques.
- ! Ne laissez jamais votre enfant se tenir debout sur la poussette ou s'asseoir avec la tête vers l'avant.
- ! Ne placez jamais la poussette sur la route, dans une pente ou à un endroit dangereux.
- ! Pour éviter tout étranglement, ne placez AUCUN objet avec une ficelle autour du cou de votre enfant, ne suspendez aucune ficelle à ce produit, et n'attachez aucune ficelle aux jouets.
- ! Les charges attachées à la poignée et/ou au dos du dossier et/ou sur les côtés de la poussette affectent la stabilité de la poussette.
- ! NE soulevez PAS la poussette quand l'enfant est dedans.
- ! N'utilisez pas le panier de rangement comme un porte-bébé.
- ! Pour empêcher tout basculement, ne laissez jamais l'enfant monter seul dans la poussette. Il faut toujours aider l'enfant à s'installer ou à sortir de la poussette.
- ! Pour éviter le coincement des doigts, faites attention lors du pliage et du dépliage de la poussette.
- ! Pour éviter toute blessure, maintenir l'enfant à l'écart lors du dépliage et du pliage du produit.

- ! Pour assurer la sécurité de votre enfant, assurez-vous que toutes les pièces sont assemblées et fixées correctement avant d'utiliser la poussette.
- ! Afin d'éviter tout risque d'accident, veillez à ce que la capote ou l'habillage de pluie ne soient pas à portée de mains de votre enfant.
- ! Mettez toujours les freins lorsque vous stationnez la poussette.
- ! Il ne faut plus utiliser la poussette si elle est endommagée ou cassée.
- ! La poussette doit être poussée à la vitesse de marche. Ce produit n'est pas destiné à être utilisé pour faire du jogging.
- ! Pour éviter les risques de suffocation, enlevez le sac en plastique et les éléments d'emballage avant d'utiliser ce produit. Le sac en plastique et les matériaux d'emballage doivent être conservés hors de la portée des bébés et des enfants.
- ! Ne pas utiliser ce produit en faisant du jogging ou des promenades en roller.
- ! Il est conseillé d'utiliser la poussette dans sa position la plus inclinée pour les nouveau-nés.
- ! Le frein doit être enclenché lorsque vous placez ou sortez l'enfant de la poussette.
- ! La nacelle est adaptée aux enfants qui ne parviennent pas à s'asseoir, se retourner ou se dresser sur leurs mains et genoux sans assistance. Poids maximum de l'enfant : 9 kg.
- ! La nacelle de doit PAS être utilisée pour un sommeil prolongé.
- ! N'utilisez PAS de matelas autre que celui fourni avec la nacelle.
- ! Cette poussette ne remplace pas un berceau ni un lit même lorsque la coque ou la nacelle pour bébé/enfant est utilisée. Si votre enfant a besoin de dormir, il doit être placé dans un landau, un berceau ou un lit approprié.
- ! Veuillez ranger la sangle de transport dans la poche située en bas du dossier lorsque vous ne l'utilisez pas.

Assemblage de la poussette

(Veuillez consulter les figures en page 1-12)

Lisez toutes les instructions du présent manuel avant d'assembler et d'utiliser ce produit.

Ouverture de la poussette

voir images ① - ④

! Vérifiez que la poussette est complètement verrouillée avant de poursuivre.

Montage et démontage des roues avant

voir images ⑤ - ⑥

Montage et démontage des roues arrière

voir images ⑦ - ⑩

! Les roues arrière peuvent être démontées en appuyant sur les boutons-pression. ⑨

! Enroulez le panier de rangement autour du cadre et de l'axe de frein, puis enclenchez-le en place. ⑩

Montage et démontage de la barre d'appui

voir images ⑪ - ⑬

La poussette complètement assemblée est illustrée ⑭

Utilisation de la poussette

Utilisation de la boucle du harnais

voir schémas ⑮ - ⑯

Déverrouillage de la boucle

Appuyez sur le bouton central pour déverrouiller la boucle. ⑮

Verrouillage de la boucle

Faites correspondre la boucle de la ceinture de la taille avec la boucle des épaules 16 - 1, puis enclenchez les deux boucles assemblées dans la boucle centrale. 16 - 2 Vous entendrez un « clic » signifiant que la boucle est bien verrouillée. 16 - 3

! Attachez toujours votre enfant avec un harnais pour éviter que l'enfant ne se blesse en tombant ou en glissant de l'assise.

! Vérifiez que votre enfant est bien attaché. L'espace entre l'enfant et le harnais des épaules doit faire environ l'épaisseur d'une main.

! Ne croisez pas les ceintures d'épaules. Autrement cela entraîne une pression sur le cou de l'enfant.

Utilisation des harnais d' épaules et ventral

voir images 17 - 20

! Pour éviter à votre enfant de tomber, vérifiez que les harnais des épaules et ventral sont à la bonne hauteur et la bonne longueur une fois l'enfant placé dans la poussette.

17 - 1 Ancrage du harnais d'épaules A

17 - 2 Dispositif de réglage coulissant

Pour les enfants de grande taille, utilisez le point d'ancrage A du harnais d'épaules et les fentes les plus élevées au niveau des épaules. Pour les enfants de petite taille, utilisez le point d'ancrage A du harnais d'épaules et les fentes les plus basses au niveau des épaules.

Pour ajuster la position du harnais au niveau des épaules, tournez la sangle du harnais à partir de la position la plus haute – schéma. 18 - 1 Passez ensuite la sangle vers l'avant du siège, réglez la hauteur comme vous le souhaitez et repassez la dans l'interstice. 18 - 2

Assurez-vous que la sangle au niveau de l'épaule est bien passée dans le point d'attache supérieur. 19

! Une fois la hauteur du harnais réglée, la sangle DOIT également être fixée dans la fente la plus haute du dossier.

Utilisez le curseur de réglage coulissant pour ajuster la longueur du harnais. 20 - 1

Appuyez sur le bouton 20 - 2, tout en tirant sur le harnais de taille jusqu'à la longueur souhaitée. 20 - 3

Réglage du dossier

voir images 21 - 22

Inclinaison du dossier

Tirez la languette pour incliner le dossier. 21

! Tenez le dossier avec l'autre main si un enfant est déjà installé dans la poussette.

Relever le dossier

Tenez les ficelles gauche et droite et poussez le dispositif de réglage de l'angle vers le haut pour relever le dossier. 22

! L'inclinaison doit être réglée correctement avant utilisation.

Réglage du repose-jambes

voir images 23

Le repose-jambes comprend 2 positions.

Remonter le repose-jambes

Pour remonter le repose-jambes, poussez-le simplement vers le haut. Vous entendrez un « clic » signifiant que le repose-jambes est complètement verrouillé.

Baisser le repose-jambes

Appuyez sur les boutons de réglage des deux côtés du repose-jambes 23 - 1, puis abaissez le repose-jambes vers le bas. 23 - 2

Verrouillage des roues avant

voir images 24

Poussez vers le haut le système de verrouillage des roues avant pour les empêcher de pivoter et rouler dans le sens de la marche pour figer le sens de déplacement. 24

Conseil Il est recommandé d'utiliser ce système de verrouillage sur les surfaces irrégulières.

Utilisation du frein

voir images 25 - 26

Pour verrouiller les roues, abaissez du frein. 25

Pour libérer les roues, soulevez le levier du frein. 26

Conseil Mettez toujours le frein lorsque la poussette est à l'arrêt.

Utilisation de la capote

voir images 27

La capote peut être ouverte ou fermée, tirez-la vers l'avant ou l'arrière. 27

Utilisation des protège-harnais des épaules ou du protège harnais ventral

Les protège harnais peuvent être retirés. Pour les mettre, procédez dans l'ordre inverse.

Réglage du guidon

voir images 28

Le guidon peut se régler sur 3 positions.

Pour le régler, appuyez en même temps sur les boutons gauche et droit de réglage de la poignée, puis tournez la poignée à la position souhaitée.

Pliage de la poussette

voir images 29 - 36

! Veuillez plier la capote avant de plier la poussette.

Poussez le verrouillage secondaire 29 - 1 et serrez le bouton de pliage à une main 29 - 2. Poussez la poussette vers l'avant pour la plier.

! Prenez le sac de transport, et glissez la poussette dedans. 36

Utilisation des accessoires

Les accessoires peuvent être vendus séparément ou ne pas être disponibles selon la région.

Utilisation avec une coque ou une nacelle

voir images 37 - 46

En cas d'utilisation avec une coque Joie i-Level, i-Snug, gemm, i-Gemm ou une nacelle Ramble, veuillez suivre les instructions suivantes.

! Si vous rencontrez des problèmes concernant l'utilisation de la coque ou de la nacelle, veuillez consulter leur manuel d'utilisation.

! Veuillez ne pas plier la poussette lorsque la coque ou la nacelle est toujours attachée.

Utilisation de l'habillage de pluie

voir images 47

Pour installer l'habillage de pluie, placez-le sur la poussette, puis fixez les attaches et les fixations velcro sur l'habillage de pluie.

! Avant d'utiliser l'habillage de pluie, veuillez vous assurer que le dossier a été réglé à la position la plus basse et que la coque a été attachée.

! Lorsque vous utilisez l'habillage de pluie, vérifiez toujours sa ventilation.

! Lorsque l'habillage de pluie n'est pas utilisé, veuillez vous assurer qu'il a été nettoyé et séché avant de la plier.

! Ne pliez pas la poussette lorsque l'habillage de pluie est installé.

! Ne placez pas votre enfant dans la poussette avec l'habillage de pluie installé par temps chaud.

Enlever les parties souples

voir images 48 - 62

1. Suivez les étapes 48 - 62 pour détacher les parties souples.
 - ! Veuillez bien conserver le câble de la capote après l'avoir retiré et assemblez impérativement le câble de la capote lors de l'assemblage de la voilure.
2. Pour fixer à nouveau les parties souples, veuillez répéter les étapes ci-dessus dans le sens inverse.

Entretien et réparation

voir images 63

- ! Le coussin de l'assise est amovible peut être lavé à l'eau froide et séché à l'air libre. Il ne faut utiliser aucun agent de blanchiment. Veuillez consulter l'étiquette d'entretien pour des instructions sur le nettoyage des parties en tissu de la poussette.
- ! Pour nettoyer le cadre de la poussette, utilisez uniquement du savon ménager avec de l'eau chaude. Il ne faut utiliser aucun agent de blanchiment ni détergent. Essuyez de temps à autre les pièces en plastique avec un chiffon doux humide. Séchez toujours les pièces métalliques pour empêcher la formation de rouille si la poussette est entrée en contact avec de l'eau.
- ! Vérifiez régulièrement la présence de vis desserrées, de parties usées, de matériaux déchirés ou décousus sur la poussette. Remplacez ou réparez les pièces endommagées si nécessaire.
- ! L'exposition excessive au soleil ou à la chaleur peut décolorer ou déformer les pièces.
- ! Si la poussette est mouillée, ouvrez le pare-soleil et laissez-la sécher complètement avant de la ranger.

! Si les roues grincent, utilisez une huile légère (ex. lubrifiant siliconé, huile antirouille ou huile pour machine à coudre). Il est important que l'huile pénètre dans les moyeux des roues. 63

! Après utilisation de la poussette à la plage, nettoyez-la en enlevant complètement le sable et l'eau salée des mécanismes et des roues.

DE Willkommen bei Joie™

Wir begrüßen Sie als ein weiteres Mitglied der Joie-Familie! Wir freuen uns, Ihr kleines Kind unterwegs zu begleiten. Bei Ausflügen mit dem Joie Tourist™, verwenden Sie einen hochwertigen, vollständig zertifizierten Kinderwagen, der gemäß EU-Sicherheitsstandards EN 1888-1:2018 zertifiziert ist. Dieses Produkt eignet sich für den Einsatz mit Kindern mit einem Gewicht von weniger als 15 kg. Lesen Sie diese Anleitung sorgfältig durch und beachten Sie die einzelnen Schritte zur Gewährleistung einer komfortablen Fahrt und optimalen Sicherheit für Ihr Kind.

Wichtig – Bitte sorgfältig lesen und für späteres Nachlesen unbedingt aufbewahren.

Besuchen Sie uns unter de.joiebaby.com, um Anleitungen herunterzuladen und weitere aufregende Joie-Produkte anzuschauen!

Garantieinformationen finden Sie auf unserer Webseite unter de.joiebaby.com

Inhalt

Abbildungen	1-12
WARNHINWEISE	45
Kinderwagen montieren	48
Kinderwagen aufklappen	48
Vorderräder anbringen und entfernen	48
Hinterräder anbringen und entfernen	48
Spielbügel anbringen und entfernen	48

Kinderwagen bedienen	49
Verschluss verwenden	49
Schulter- und Taillengurte anlegen	49
Rückenlehne anpassen	50
Beinauflage anpassen	50
Vordere Lenksperre verwenden	51
Bremse verwenden	51
Verdeck verwenden	51
Schultergurtabdeckung und Schrittgurtabdeckung verwenden	51
Schiebebügel einstellen	51
Kinderwagen zusammenklappen	52
Zubehör verwenden	52
Mit Babyschale oder Babywanne verwenden	52
Regenverdeck verwenden	52
Textilteile abnehmen	53
Pflege und Wartung	53

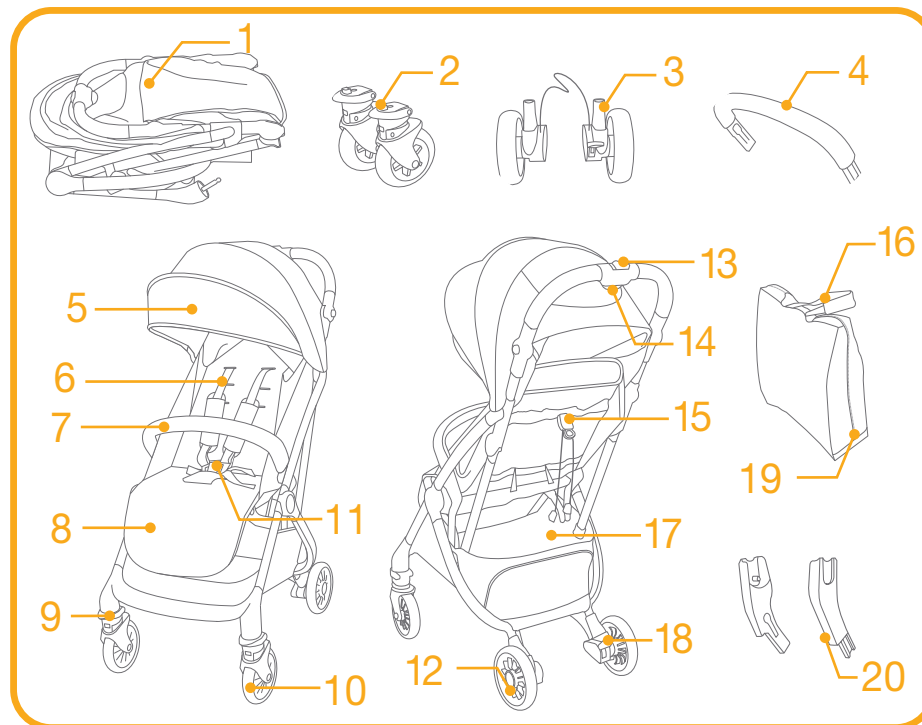
Notfall

Bei einem Notfall oder Unfall muss Ihr Kind unverzüglich erste Hilfe bekommen und medizinisch versorgt werden.

Produktdaten

Lesen Sie alle Hinweise in dieser Anleitung, bevor Sie dieses Produkt einsetzen. Bei weiteren Fragen wenden Sie sich an Ihren Händler. Einige Bestandteile können je nach Modell variieren.

Produkt	Kinderwagen Tourist Signature
Geeignet für	Kinder mit einem Gewicht unter 15 kg (Geburt bis 36 Monate)
Materialien	Kunststoff, Metall, Stoff
Patent-Nr.	Patente angemeldet
Hergestellt in	China
Markenname	Joie
Webseite	www.joiebaby.com
Hersteller	Allison Baby UK Ltd.



Teileliste

Überprüfen Sie vor der Montage, ob alle Teile vorhanden sind. Falls etwas fehlen sollte, wenden Sie sich an Ihren Händler vor Ort. Für die Montage werden keine Werkzeuge benötigt.

1 Kinderwagengestell	12 Hinterrad
2 Vorderräder	13 Sekundäre Sperre
3 Hinterräder	14 Schiebebügel mit integriertem Einhand-
4 Spielbügel	Faltmechanismus
5 Verdeck	15 Einsteller der Rückenlehne
6 Schultergurt	16 Tragegurt
7 Spielbügel	17 Staukorb
8 Beinauflage	18 Bremshebel
9 Lenksperre	19 Transporttasche
10 Vorderrad	20 Adapter
11 Verschluss	

Zubehör

(im Kauf eventuell nicht enthalten)

Regenverdeck

Zubehör wird möglicherweise separat verkauft oder ist je nach Region nicht verfügbar.



WARNHINWEISE

- ! **WARNUNG** Verwenden Sie immer das Rückhaltesystem. Sicherheitsgurte und Rückhaltesystem müssen richtig verwendet werden.
- ! **WARNUNG** Vergewissern Sie sich vor Gebrauch, dass alle Verriegelungen eingerastet sind.
- ! **WARNUNG** Lassen Sie das Kind nicht mit dem Produkt spielen.
- ! **WARNUNG** Vergewissern Sie sich vor der Verwendung, dass die Sportsitzeinheit, Babywanne oder Babyschale korrekt eingerastet sind.
- ! Das Produkt muss von einem Erwachsenen montiert werden.
- ! Bei Verwendung für Kinder mit einem Gewicht höher als 15 kg kann der Kinderwagen beschädigt werden.
- ! Um eine gefährliche Instabilität zu vermeiden, beladen Sie den Ablagekorb nicht mit mehr als 4,5 kg.
- ! Lassen Sie das Kind nie unbeaufsichtigt. Behalten Sie ein Kind im Kinderwagen stets im Auge.
- ! Legen Sie immer nur jeweils ein Kind in den Kinderwagen. Legen Sie niemals Geldbörsen, Einkaufstaschen, Pakete oder Zubehör auf den Griff oder das Verdeck.
- ! Nicht vom Hersteller zugelassenes Zubehör sollte nicht verwendet werden. Verwenden Sie nur vom Hersteller gelieferte oder empfohlene Ersatzteile.
- ! Verwenden Sie niemals Zubehör, Teile oder Komponenten, die nicht vom Hersteller hergestellt oder zugelassen wurden. Lesen Sie diese Anleitung sorgfältig durch.
- ! Lesen Sie alle Hinweise in dieser Anleitung, bevor Sie das Produkt verwenden. Bewahren Sie die Anleitung zum späteren Nachschlagen auf. Nichtbeachtung dieser Warnhinweise und Anweisungen könnte zu schweren oder tödlichen Verletzungen führen.
- ! Verwenden Sie stets den Sicherheitsgurt, um Verletzungen durch Herausfallen oder Herausrutschen zu vermeiden.
- ! Achten Sie bei Einstellungen am Kinderwagen darauf, dass

der Körper Ihres Kindes nicht mit den beweglichen Teilen in Kontakt kommt.

- ! Vergewissern Sie sich, dass der Kinderwagen komplett auf- oder zusammengeklappt ist, bevor Sie Ihr Kind in die Nähe des Kinderwagens lassen.
- ! Das Kind könnte in die Beinöffnungen rutschen und ersticken, wenn der Gurt nicht angelegt ist.
- ! Transportieren Sie den Kinderwagen niemals über Treppenstufen oder Rolltreppen.
- ! Halten Sie den Kinderwagen von heißen/Hitze erzeugenden Gegenständen, Flüssigkeiten und Elektrogeräten fern.
- ! Lassen Sie Ihr Kind niemals im Kinderwagen stehen oder mit dem Kopf entgegen der Fahrtrichtung des Kinderwagens gerichtet sitzen.
- ! Stellen Sie den Kinderwagen niemals auf Straßen, an Hanglagen oder in Gefahrenbereichen ab.
- ! Platzieren Sie KEINE Gegenstände mit einem Band oder Faden um den Hals Ihres Kindes, hängen Sie KEINE Bänder oder Fäden an dieses Produkt und bringen Sie KEINE Bänder oder Fäden an Spielzeugen an, damit sich das Kind nicht strangulieren kann.
- ! Jegliche am Griff und/oder an der Rückseite der Rückenlehne und/oder an den Seiten des Kinderwagens angebrachte Last wirkt sich auf die Stabilität des Kinderwagens aus.
- ! Heben Sie den Kinderwagen NICHT an, wenn sich ein Kind darin befindet.
- ! Verwenden Sie den Ablagekorb NICHT als Kindersitz.
- ! Der Kinderwagen kann umkippen, wenn Ihr Kind darauf klettert. Heben Sie das Kind stets in den bzw. aus dem Kinderwagen.
- ! Seien Sie beim Auf- und Zusammenklappen des Kinderwagens vorsichtig, damit Sie sich die Finger nicht einklemmen.
- ! Vergewissern Sie sich, dass das Kind beim Aufklappen und Zusammenklappen des Wagens außer Reichweite ist, um Verletzungen zu vermeiden.

- ! Zur Gewährleistung der Sicherheit für Ihr Kind achten Sie vor Verwendung des Kinderwagens darauf, dass alle Teile sachgemäß montiert und befestigt sind.
- ! Zur Vermeidung einer Strangulation müssen Verdeck und Regenschutz ausreichend weit vom Kind entfernt sein.
- ! Ziehen Sie stets die Bremsen an, wenn Sie den Kinderwagen abstellen.
- ! Verwenden Sie Ihren Kinderwagen nicht mehr, wenn er beschädigt oder kaputt ist.
- ! Der Kinderwagen sollte nur mit Schrittgeschwindigkeit geschoben werden. Er ist nicht für den Einsatz beim Joggen geeignet.
- ! Entfernen Sie zur Vermeidung von Erstickungsgefahr den Kunststoffbeutel und sämtliche Verpackungsmaterialien vor dem ersten Einsatz. Halten Sie Kunststoffbeutel und Verpackungsmaterialien von Säuglingen und Kindern fern.
- ! Dieses Produkt ist nicht zum Joggen oder Skaten geeignet.
- ! Neugeborene sollten liegend transportiert werden; kippen Sie dazu die Rückenlehne in waagrechte Position.
- ! Nutzen Sie die Feststellbremse, wenn Sie das Kind hineinlegen oder herausnehmen.
- ! Die Babywanne eignet sich nur für Kinder, die nicht selbstständig sitzen, sich drehen und/oder sich mit Händen und Knien abstützen können. Maximalgewicht des Kindes: 9 kg.
- ! Die Babywanne eignet sich NICHT für längeres Schlafen.
- ! Verwenden Sie nur die mit der Babywanne gelieferte Matratze; fügen Sie keine weitere Matratze hinzu.
- ! Auch wenn ein Kind in diesem Wagen gesichert durch Gurte liegen kann, ist er kein Ersatz für ein Bett. Falls Ihr Kind müde ist, sollten Sie es in einen geeigneten Kinderwagen, ein Gitter- bzw. Babybett legen.
- ! Bitte verstauen Sie den Tragegurt in dem Aufbewahrungsfach, das sich auf der Unterseite der Sitzeinheit befindet, wenn dieser nicht in Benutzung ist.

Kinderwagen montieren

(Bitte beachten Sie die Abbildungen auf Seite 1-12)

Lesen Sie alle Hinweise in dieser Anleitung, bevor Sie dieses Produkt montieren und verwenden.

Kinderwagen aufklappen

siehe Abbildungen ① - ④

- ! Prüfen Sie vor der weiteren Benutzung, ob der Kinderwagen vollständig verriegelt ist.

Vorderrad montieren und demontieren

siehe Abbildungen ⑤ - ⑥

Hinterrad montieren und demontieren

siehe Abbildungen ⑦ - ⑩

- ! Die Hinterräder können durch Drücken auf die Einrasttasten abgenommen werden. ⑨
- ! Wickeln Sie den Staukorb um das Gestell und das Bremskabel, und befestigen Sie ihn mit den Druckknöpfen. ⑩

Spielbügel montieren und demontieren

siehe Abbildungen ⑪ - ⑬

Den vollständig montierten Kinderwagen sehen Sie in ⑭

Kinderwagen bedienen

Gurtverschluss verwenden

siehe Abbildungen 15 - 16

Gurtverschluss lösen

Drücken Sie auf den Knopf in der Mitte, um den Verschluss zu lösen. 15

Gurtverschluss schließen

Richten Sie die Schnalle des Taillengurtes mit der Schulternschnalle aus 16 - 1 und verriegeln Sie sie in der mittleren Schnalle. 16 - 2 Ein Klickgeräusch zeigt an, dass der Verschluss eingerastet ist. 16 - 3

- ! Um schwere Verletzungen aufgrund von Herausfallen oder Herausgleiten zu verhindern, legen Sie Ihrem Kind stets die Sicherheitsgurte an.
- ! Vergewissern Sie sich, dass Ihr Kind rutschfest gehalten wird. Der Abstand zwischen dem Kind und dem Schultergurt sollte etwa die Dicke einer Hand betragen.
- ! Legen Sie die Schultergurte nicht gekreuzt an. Andernfalls wird Druck auf den Hals des Kindes erzeugt.

Schulter- und Taillengurte anlegen

siehe Abbildungen 17 - 20

! Nachdem Sie Ihr Kind in den Sitz gesetzt haben, prüfen Sie, ob die Schulter- und Taillengurte in der richtigen Höhe verlaufen und lang genug sind, um Ihr Kind vor dem Herausfallen zu schützen.

17 - 1 Schultergurtverankerung A

17 - 2 Gurtversteller

Verwenden Sie bei einem größeren Kind die Schultergurtverankerung A und die obersten Schulternschlitze. Bei einem kleineren Kind müssen die Schultergurtverankerung A und die untersten Schulternschlitze verwendet werden. Drehen Sie zur Höhenverstellung der Schultergurte zunächst die jeweilige Schultergurtverankerung 18 - 1 Führen Sie diese

durch den obersten Gurtschlitz hindurch zur Vorderseite der Rückenlehne. Anschließend führen Sie die Verankerung durch die gewünschte Öffnung zurück durch die Rückenplatte. 18 - 2

Befestigen Sie die Gurtverankerung zum Schluss von hinten im obersten Gurtschlitz der Rückenplatte. 19

! Nach der Höhenverstellung MUSS die Schultergurtverankerung von hinten in dem obersten Gurtschlitz befestigt werden.

Ändern Sie die Gurtlänge mit dem Schieberegler. 20 - 1

Drücken Sie auf den Knopf 20 - 2, während Sie den Taillengurt auf die richtige Länge ziehen. 20 - 3

Rückenlehne anpassen

siehe Abbildungen 21 - 22

Rückenlehne zurückklappen

Ziehen Sie an der Lasche, um die Rückenlehne zurückzuklappen. 21

! Halten Sie die Rückenlehne mit der anderen Hand fest, wenn bereits ein Kind im Kinderwagen sitzt.

Rückenlehne hochklappen

Halten Sie die beiden Schnüre links und rechts fest und drücken Sie den Neigungsversteller hoch, um die Rückenlehne hochzuklappen. 22

! Achten Sie darauf, die Neigung entsprechend der Verwendung sachgemäß einzustellen.

Beinauflage einstellen

siehe Abbildungen 23

Es gibt zwei Positionen für die Beinauflage.

Beinauflage anheben

Drücken Sie die Beinauflage zum Anheben einfach nach oben. Ein Klickgeräusch zeigt an, dass die Beinauflage eingerastet ist.

Beinauflage senken

Drücken Sie die Einstellknöpfe an beiden Seiten der Beinauflage 23 - 1 und drehen Sie die Beinauflage nach unten.

23 - 2

Vordere Lenksperre verwenden

siehe Abbildungen 24

Zum Feststellen der Vorderräder drücken Sie die vorderen Lenksperren nach oben. 24

Tipp Das Feststellen der Vorderräder empfiehlt sich für Fahren auf unebenem Untergrund.

Bremse verwenden

siehe Abbildungen 25 - 26

Zur Arretierung der Räder drücken Sie den Bremshebel mit dem Fuß nach unten. 25

Lösen Sie die Sperrung durch Ziehen des Bremshebels nach oben. 26

Tipp Verwenden Sie immer dann die Bremse, wenn der Kinderwagen nicht geschoben wird.

Verdeck verwenden

siehe Abbildungen 27

Das Verdeck kann durch Ziehen nach vorne oder hinten geöffnet oder zusammengeklappt werden. 27

Schultergurt- und Schrittgurtpolster verwenden

Die Schultergurt- und Schrittgurtpolster lassen sich vom Gurtband abnehmen. Befolgen Sie die Schritte zum Anbringen der Schultergurt- und Schrittgurtpolster in umgekehrter Reihenfolge.

Schiebebügel anpassen

siehe Abbildungen 28

Für den Schiebebügel gibt es 3 Einstellpositionen.

Drücken Sie zur Anpassung des Schiebebügels gleichzeitig die linken und rechten Einstelltasten des Schiebebügels und drehen Sie den Schiebebügel in die gewünschte Position.

Kinderwagen zusammenklappen

siehe Abbildungen 29 - 36

! Klappen Sie das Verdeck zusammen, bevor Sie den Kinderwagen zusammenklappen.

Drücken Sie gleichzeitig die sekundäre Sperre 29 - 1 und die Ein-Hand-Klapptaste 29 - 2. Drücken Sie den Kinderwagen zum Zusammenklappen nach vorne.

! Hängen Sie die Transporttasche mit dem Kinderwagen bequem über die Schulter. 36

Zubehör verwenden

Zubehör wird möglicherweise separat verkauft oder ist je nach Region nicht verfügbar.

Mit Babyschale oder Babywanne verwenden

siehe Abbildungen 37 - 46

Bei Verwendung mit den Joie-Babyschalen i-Level, i-Snug, gemm, i-Gemm oder der Babywanne Ramble beachten Sie bitte die folgenden Anweisungen.

! Falls Probleme bei der Verwendung der Babyschale oder der Babywanne auftreten, beachten Sie bitte die zugehörige Bedienungsanleitung.

! Bitte klappen Sie den Kinderwagen nicht zusammen, wenn Babyschale oder Babywanne weiterhin angebracht sind.

Regenverdeck verwenden

siehe Abbildungen 47

Legen Sie das Regenverdeck über den Kinderwagen und befestigen Sie es mittels der Klettverschlüsse am Kinderwagengestell.

! Stellen Sie vor Benutzung des Regenverdecks sicher, dass die Rückenlehne auf die niedrigste Position eingestellt und und dass das Kind im Kinderwagen angeschnallt ist.

! Achten Sie bei Verwendung des Regenverdecks stets auf Belüftung.

- ! Wird das Regenverdeck nicht mehr verwendet, achten Sie vor dem Zusammenfallen bitte darauf, dass es sauber und trocken ist.
- ! Klappen Sie den Kinderwagen nicht zusammen, wenn das Regenverdeck montiert ist.
- ! Setzen Sie Ihr Kind bei heißen Temperaturen nicht in den Kinderwagen, wenn der Regenschutz angebracht ist.

Textilteile entfernen

siehe Abbildungen 48 - 62

1. Befolgen Sie zum Entfernen der Textilteile die Schritte 48 bis 62.
 - ! Bitte bewahren Sie den Verdeckdraht nach dem Entfernen sicher auf. Bei Anbringung des Verdecks muss auch der Verdeckdraht befestigt werden.
2. Bringen Sie die Textilteile wieder an, indem Sie die obigen Schritte in umgekehrter Reihenfolge befolgen.

Pflege und Wartung

siehe Abbildungen 63

- ! Der abnehmbare Sitzbezug kann in kaltem Wasser gewaschen und zum Trocknen aufgehängt werden. Nicht bleichen. Bitte beachten Sie zur Reinigung der Textilteile des Kinderwagens die Anweisungen am Pflegeetikett.
- ! Reinigen Sie das Kinderwagengestell nur mit handelsüblicher Seife und warmem Wasser. Nicht bleichen oder mit Reinigungsmitteln behandeln. Wischen Sie die Kunststoffteile regelmäßig mit einem weichen, angefeuchteten Tuch ab. Trocknen Sie die Metallteile bei Kontakt mit Wasser immer ab, damit sich kein Rost bildet.
- ! Untersuchen Sie Ihren Kinderwagen gelegentlich auf lockere Schrauben, abgenutzte Teile, verschlissene Materialien oder aufgerissene Nähte. Ersetzen oder reparieren Sie die Teile bei Bedarf.
- ! Bei übermäßiger Sonnenbestrahlung oder Hitzeeinwirkung können Teile verblässen oder sich verformen.

- ! Ist der Kinderwagen nass geworden, öffnen Sie das Verdeck und lassen Sie ihn komplett trocken werden, bevor Sie ihn verstauen.
- ! Bei quietschenden Rädern tragen Sie ein leichtes Öl auf (z. B. Silikonspray, Rostschutzöl oder Nähmaschinenöl). Dabei ist wichtig, dass das Öl in die Achse und die Räderpartie gelangt. 63
- ! Wenn Sie mit Ihrem Kinderwagen am Strand spazieren, müssen Sie ihn hiernach komplett reinigen, um Sand und Salz aus der Mechanik und den Radverbindungen zu entfernen.

ES Bienvenido a Joie™

¡Enhorabuena por unirse a la familia Joie! Estamos encantados de formar parte de su viaje y del de su pequeño. Cuando utilice la silla de paseo Tourist™ de Joie, su bebé disfrutará de una silla de alta calidad, totalmente certificada y homologada por las normas de seguridad europeas EN 1888-1:2018. Este producto es adecuado para niños con un peso inferior a 15kg. Lea detenidamente este manual y siga cada paso para garantizar que su bebé viaje cómodamente y esté protegido de la mejor manera posible.

Importante- Lea detenidamente y conserve estas instrucciones para futuras consultas.

¡Visítenos en joiebaby.com para conocer otros fantásticos productos de Joie!

Para obtener información sobre la garantía, visite nuestro sitio web en joiebaby.com.

Índice

Figuras	1-12
ADVERTENCIA	59
Montaje de la silla de paseo	62
Abrir la silla	62
Montaje y desmontaje de las ruedas delanteras	62
Montaje y desmontaje de las ruedas traseras	62
Montaje y desmontaje de la barra apoyabrazos	62

Funcionamiento de la silla de paseo	63
Uso de la hebilla del arnés	63
Ajuste de los arneses de hombros y cintura	63
Ajuste del reclinado	64
Ajuste del reposapiernas	64
Bloqueo de giro de las ruedas delanteras	65
Uso del freno	65
Uso de la capota	65
Uso de los protectores de arnés	65
Ajuste del manillar	65
Plegado de la silla	66
Instalación de los accesorios	66
Uso con silla de seguridad o capazo	66
Instalación de la burbuja de lluvia	66
Desmontaje de la tapicería	67
Cuidado y mantenimiento	67

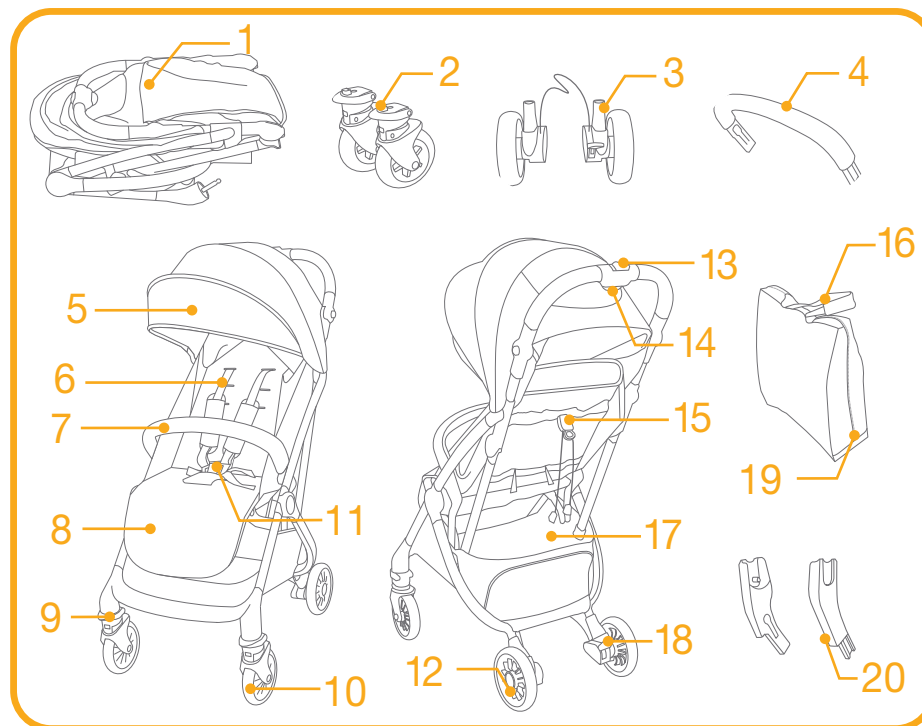
Emergencia

En caso de emergencia o accidente, es muy importante que el bebé reciba primeros auxilios y tratamiento médico de inmediato.

Información del producto

Lea todas las instrucciones incluidas en este manual antes de utilizar este producto. Si tiene alguna duda, póngase en contacto con su proveedor. Algunas características pueden variar según el modelo.

Producto	Silla de paseo Tourist
Adecuado para	Niños con un peso inferior a 15 kg (de 0 a 36 meses aprox.)
Materiales	Plásticos, metal, telas
N.º de patente	Patente Pendiente
Fabricado en	China
Nombre de la marca	Joie
Sitio web	www.joiebaby.com
Fabricante	Allison Baby UK Ltd.



Despiece

Asegúrese de que están disponibles todas las piezas antes de montar el producto. Si falta alguna pieza, póngase en contacto con su punto de venta. No se necesita ninguna herramienta para el montaje.

1 Chasis	12 Rueda trasera
2 Ruedas delanteras	13 Bloqueo de plegado de la silla
3 Ruedas traseras	14 Botón de plegado
4 Barra apoyabrazos	15 Ajuste de inclinación
5 Capota	16 Correa de transporte
6 Arnés de los hombros	17 Cesta portaobjetos
7 Barra apoyabrazos	18 Palanca del freno
8 Reposapiernas	19 Bolsa de viaje
9 Bloqueo de giro	20 Adaptador
10 Rueda delantera	
11 Hebilla	

Accesorios

(es posible que no estén incluidos)

Burbuja de lluvia

Es posible que los accesorios se vendan por separado o no estén disponibles, dependiendo del país.



ADVERTENCIA

- ! ADVERTENCIA Use siempre el sistema de retención. Los arneses y los sistemas de retención se deben utilizar correctamente.
- ! ADVERTENCIA: Asegúrese de que todos los dispositivos de cierre están engranados antes del uso.
- ! ADVERTENCIA: No permita que el niño juegue con este product.
- ! ADVERTENCIA Compruebe que los dispositivos de sujeción del capazo, del asiento o de la silla de auto están correctamente engranados antes del uso.
- ! El montaje solo podrá ser realizado por personas adultas.
- ! Esta silla está diseñada para niños con un peso inferior a 15 kg. Con niños de más peso la silla puede sufrir daños.
- ! Para evitar riesgos y la inestabilidad del producto, no deberá colocar objetos que sumen en total un peso superior a 4,5 kg en la cesta de almacenamiento.
- ! No deje nunca al niño desatendido. Vigílelo en todo momento mientras esté sentado en la silla.
- ! No utilice la silla para transportar a más de un niño. Nunca coloque bolsos, bolsas de la compra, paquetes ni ningún otro objeto en el manillar ni en la capota.
- ! No utilice accesorios que no estén aprobados por el fabricante. Utilice únicamente las piezas de recambio proporcionadas o recomendadas por el fabricante.
- ! Nunca utilice accesorios, piezas o componentes no fabricados o aprobados por el fabricante. Lea el manual de instrucciones detenidamente.
- ! Lea todas las instrucciones incluidas en el manual antes de utilizar el producto. Guarde este manual de instrucciones para futuras consultas. Si no sigue estas advertencias e instrucciones, podrían producirse lesiones graves o incluso fatales.
- ! Para evitar lesiones graves mantenga al niño sujeto con el arnés de la silla en todo momento y evitará que se caiga o se pueda deslizar fuera de ella.
- ! Asegúrese de mantener a los niños alejados de las piezas móviles cuando realice ajustes en la silla.
- ! Asegúrese de que la silla está totalmente abierta o plegada antes de permitir que el niño se acerque a ella.
- ! El niño podría deslizarse de la silla y estrangularse si no está sujeto con el arnés.
- ! Nunca utilice la silla en escaleras convencionales o mecánicas.
- ! Manténgalo alejado de objetos a altas temperaturas, líquidos y aparatos eléctricos.
- ! Nunca deje que su hijo se ponga de pie sobre la silla ni que se sienta en ella con la cabeza por delante de la barra apoyabrazos.
- ! Nunca coloque la silla en carreteras, cuestas o zonas peligrosas.
- ! Para evitar el riesgo de estrangulamiento, NO coloque objetos con cordones alrededor del cuello del niño, no deje que cuelguen cordones de este producto ni ate los cordones a ningún juguete.
- ! Si cuelga algún objeto del manillar, de la parte trasera del respaldo o de los laterales de la silla, la estabilidad de esta se verá afectada.
- ! NO levante el cochecito mientras el niño esté montado en él.
- ! NO utilice la cesta de almacenamiento como portabebés.
- ! Para evitar que pueda volcar, nunca permita que el niño trepe por la silla. Un adulto debe siempre subir y bajar al niño de la silla.
- ! Tenga cuidado de no pillarse los dedos cuando pliegue y despliegue la silla.
- ! Para evitar lesiones, asegúrese de que el niño se mantiene alejado durante el desplegado y el plegado de este product.
- ! Para garantizar la seguridad del niño, asegúrese de que todas las piezas están montadas y bien sujetas antes de utilizar la silla.

- ! Para evitar el riesgo de estrangulamiento, asegúrese de que su hijo se mantiene alejado de la capota y de la burbuja de lluvia.
- ! Accione siempre los frenos cuando aparque el cochecito.
- ! Deje de utilizar la silla si presenta daños o roturas.
- ! La silla solo se debe utilizar a una velocidad de paseo. Este producto no es adecuado para utilizarlo mientras se corre.
- ! Para evitar el riesgo de asfixia, retire la bolsa de plástico y los materiales de embalaje antes de utilizar este producto. A continuación, deberá mantener la bolsa de plástico y los materiales de embalaje fuera del alcance de bebés y niños.
- ! Este producto no es adecuado para correr o patina.
- ! Si usa la silla con un recién nacido le recomendamos que la recline lo máximo posible
- ! La silla deberá estar frenada cuando coloque y retire al niño.
- ! El capazo es adecuado únicamente para niños que no puedan sentarse sin ayuda, darse la vuelta ni levantarse sobre sus manos y rodillas. Peso máximo del niño: 9 kg.
- ! El capazo NO se deberá utilizar para que el bebé duerma durante un periodo prolongado de tiempo.
- ! NO utilice el capazo con ningún colchón (ni añada ningún otro) que no sea el que se incluye.
- ! NO debe usar una silla de seguridad de Grupo 0+ junto con una silla de paseo para que el bebé duerma. Esta silla no susutituye a una cuna ni una cama. Su hijo debe dormir en una cuna, una cama o un capazo adecuado.
- ! Mantenga la cinta de transporte guardada dentro del bolsillo situado debajo del reposapiernas cuando no la utilice.

Montaje de la silla de paseo

(Consulte las figuras de las páginas 1-12)

Lea todas las instrucciones incluidas en este manual antes de montar y utilizar este producto.

Abrir la silla

consulte las imágenes ① - ④

! Asegúrese de que todos los mecanismos de la silla están completamente bloqueados antes de usarla.

Montaje y desmontaje de las ruedas delanteras

consulte las imágenes ⑤ - ⑥

Montaje y desmontaje de las ruedas traseras

consulte las imágenes ⑦ - ⑩

! Las ruedas traseras se pueden desmontar presionando los automáticos. ⑨

! Coloque la cesta portaobjetos envolviendo el chasis y el eje del freno y, a continuación, cierre los botones de presión. ⑩

Montaje y desmontaje de la barra apoyabrazos

consulte las imágenes ⑪ - ⑬

El cochecito completamente montado aparece en la imagen ⑭

Funcionamiento de la silla de paseo

Uso de la hebilla del arnés

consulte las imágenes 15 - 16

Desbloquear la hebilla

Pulse el botón central para desbloquear la hebilla. 15

Bloquear la hebilla

Una los cierres del arnés de cintura y del arnés de hombro 16 - 1 y encájelos en la hebilla central hasta que escuche un clic 16 - 2. El sonido "clic" le indicará que la hebilla está completamente bloqueada. 16 - 3

! Para evitar lesiones graves mantenga al niño sujeto con el arnés de la silla en todo momento y evitará que se caiga o se pueda deslizar fuera de ella.

! Asegúrese de que su hijo quede cómodamente sujeto. Verifique que entre el niño y el arnés el espacio sea el del grosor de una mano más o menos.

! No cruce los arneses de los hombros. Si lo hace, podría presionar el cuello del niño.

Ajuste de los arneses de hombros y cintura

consulte las imágenes 17 - 20

! Una vez el niño esté en la silla, compruebe que la altura y longitud de los arneses de hombros y cintura son los adecuados, con el fin de protegerle de eventuales caídas.

17 - 1 Anclaje A del arnés de hombros

17 - 2 Ajuste deslizante

Para los niños mayores, sitúe el anclaje A del arnés de hombros en los ojales más altos del asiento. Para los niños más pequeños, sitúe el anclaje A del arnés de hombros en el ojal más bajo.

Para ajustar la altura del arnés, gire la hebilla superior del mismo, situada en la parte superior del refuerzo plástico

interior. 18 - 1 Pase el arnés a través del ojal hacia la parte delantera del asiento. 18 - 2

Vuelva a colocar el arnés a la altura deseada, pasándolo a través de los ojales de la tapicería y el refuerzo plástico interior. 19

! Para finalizar debe colocar la hebilla superior en su posición inicial, es decir, pasando el arnés a través del ojal superior del refuerzo plástico desde atrás hacia adelante.

Utilice el ajuste deslizante para modificar la longitud del arnés. 20 - 1

Presione el botón 20 - 2 y tire al mismo tiempo del arnés de cintura hasta que la longitud sea la adecuada. 20 - 3

Ajuste del reclinado

consulte las imágenes 21 - 22

Reclinar el respaldo

Tire de la pestaña para reclinar el respaldo. 21

! Sostenga el respaldo con la otra mano si el niño está sentado en la silla.

Levante el respaldo.

Sujete las cintas izquierda y derecha y empuje hacia arriba la pestaña para levantar el respaldo. 22

! Asegúrese de que ajusta la reclinación de forma adecuada para su uso.

Ajuste del reposapiernas

consulte la imagen 23

El reposapiernas puede ajustarse en 2 posiciones

Elevar el reposapiernas

Para elevar el reposapiernas, simplemente tire de él hacia arriba. Cuando oiga un "clic" significará que está perfectamente bloqueado.

Bajar el reposapiernas

Presione los botones de ajuste ubicados a ambos lados del reposapiernas 23 - 1 y gírelo hacia abajo 23 - 2

Bloqueo de giro de las ruedas delanteras

consulte la imagen 24

Tire hacia arriba de las pestañas de las ruedas delanteras para bloquear el giro. 24

Consejo Se recomienda bloquear las ruedas delanteras si la superficie es irregular.

Uso del freno

consulte las imágenes 25 - 26

Para bloquear las ruedas, pise sobre la palanca del freno empujándola hacia abajo. 25

Para desbloquear las ruedas, simplemente levante la palanca del freno hacia arriba. 26

Consejo Accione siempre el freno cuando la silla esté parada.

Uso de la capota

vea la imagen 27

La capota puede abrirse o plegarse tirando de ella hacia delante o hacia atrás. 27

Uso de los protectores de arnés

La cubierta del arnés del hombro o del arnés de la pelvis puede extraerse desde la cincha. Para montar la cubierta del arnés del hombro o del arnés de la pelvis, siga los mismos pasos a la inversa.

Ajuste del manillar

vea la imagen 28

El manillar se puede ajustar en altura en 3 posiciones diferentes.

Para ajustar el manillar presione simultáneamente los botones de ajuste izquierdo y derecho, y colóquela en la posición deseada.

Plegado de la silla

consulte las imágenes 29 - 36

! Cierre la capota antes de plegar la silla.

Presione el botón de bloqueo de plegado 29 - 1 y a continuación apriete el botón de plegado 29 - 2 Empuje la silla hacia delante para plegarla.

! Tire del asa para transportar cómodamente la silla. 36

Instalación de los accesorios

Es posible que los accesorios se vendan por separado o no estén disponibles, dependiendo del país

Uso con silla de seguridad o capazo

consulte las imágenes 37 - 46

Consulte las siguientes instrucciones si instala las sillas infantiles de seguridad Gemm, i-Gemm o i-Level, i-Snug de Joie, o el capazo Ramble.

! Si tiene dudas sobre la utilización de las sillas infantiles de seguridad o el capazo, consulte sus propios manuales de instrucciones.

! No pliegue la silla con la silla infantil de seguridad o el capazo instalados.

Instalación de la burbuja de lluvia

consulte la imagen 47

Para instalar la burbuja de lluvia colóquela sobre la silla de paseo y sujétela con las cintas diseñadas a tal efecto.

! Antes de instalar la burbuja de lluvia, recline el asiento al máximo y bloquee el giro de las ruedas delanteras.

! Cuando utilice la burbuja de lluvia asegúrese de que la ventilación es la adecuada

! Cuando no vaya a utilizar la burbuja de lluvia asegúrese de que esté limpia y seca antes de plegarla.

- ! No pliegue la silla con la burbuja de lluvia instalada.
- ! No coloque al niño en la silla con la burbuja de lluvia instalada si la temperatura es alta.

Desmontaje de la tapicería

consulte las imágenes 48 - 62

1. Siga los pasos 48 - 62 para desmontar la tapicería
- ! Extraiga la estructura de la capota, guárdela y vuélvala a colocar cuando monte la capota de nuevo.
2. Para volver a montar la tapicería, repita los pasos anteriores en orden inverso.

Cuidado y mantenimiento

consulte las imágenes 63

- ! Lave la tapicería con agua fría y déjela escurrir. No utilice lejía. Consulte la etiqueta de cuidados para ver las instrucciones acerca de la limpieza de las piezas textiles de la silla.
- ! Para limpiar el manillar de la silla, utilice únicamente jabón para uso doméstico y agua tibia. No utilice lejía ni detergente. Limpie periódicamente las piezas de plástico con un paño suave y húmedo. Seque siempre las partes metálicas para evitar que se oxiden si la silla ha estado en contacto con el agua.
- ! Examine periódicamente la silla por si tuviera tornillos sueltos, piezas desgastadas, materiales dañados o descosidos. Haga que el Servicio Técnico Oficial sustituya o repare las piezas que lo requieran.
- ! Una exposición excesiva al sol o al calor podría decolorar o deformar algunas piezas.

- ! Si la silla se moja, abra la capota y deje que se seque completamente antes de guardarla.
- ! Si chirrían las ruedas, utilice un aceite suave (por ejemplo: spray de silicona, aceite antioxidante o aceite para máquinas de coser). Es importante que el aceite llegue al ensamblaje de las ruedas y el eje. 63
- ! Si utiliza la silla en la playa, límpiela completamente después de usarla para eliminar cualquier resto de arena y sal. Los daños causados por la arena o la sal no están cubiertos por la garantía.

NL Welkom bij Joie™

Gefeliciteerd dat u nu lid bent van de Joie-familie! Het doet ons veel genoegen om deel te kunnen uitmaken van uw reis met uw kleintje. Bij het reizen met de Joie Tourist™, gebruikt u een hoogwaardige, volledig gecertificeerde wandelwagen, goedgekeurd volgens de Europese veiligheidsnormen EN 1888-1:2018. Dit product is geschikt voor gebruik met kinderen die minder dan 15 kg wegen. Lees deze handleiding zorgvuldig en volg elke stap om voor een comfortabele rit en de beste bescherming van uw kind te zorgen.

Belangrijk - Lees zorgvuldig en bewaar voor latere raadpleging.

Bezoek ons op joiebaby.com om handleidingen te downloaden en nog meer interessante producten van Joie te zien.

Bezoek voor informatie over de garantie onze website op joiebaby.com

Inhoud

Afbeeldingen	1-12
WAARSCHUWING	73
Montage wandelwagen	76
Wandelwagen openen	76
Voorwiel monteren en demonteren	76
Achterwiel monteren en demonteren	76
Armsteun monteren en demonteren	76

Gebruik wandelwagen	77
Gesp gebruiken	77
Schouder- en middelriemen gebruiken	77
Rugsteun afstellen	78
Kuitsteun instellen	78
Voorste draaislot gebruiken	79
Rem gebruiken	79
Kap gebruiken	79
Afdekking schouderriem en afdekking kruisriem gebruiken	79
Handgreep instellen	79
Wandelwagen invouwen	80
Accessoires gebruiken	80
Gebruiken met babyzitje of draagwieg	80
Regenkap gebruiken	80
Zachte voorwerpen losmaken	81
Verzorging en onderhoud	81

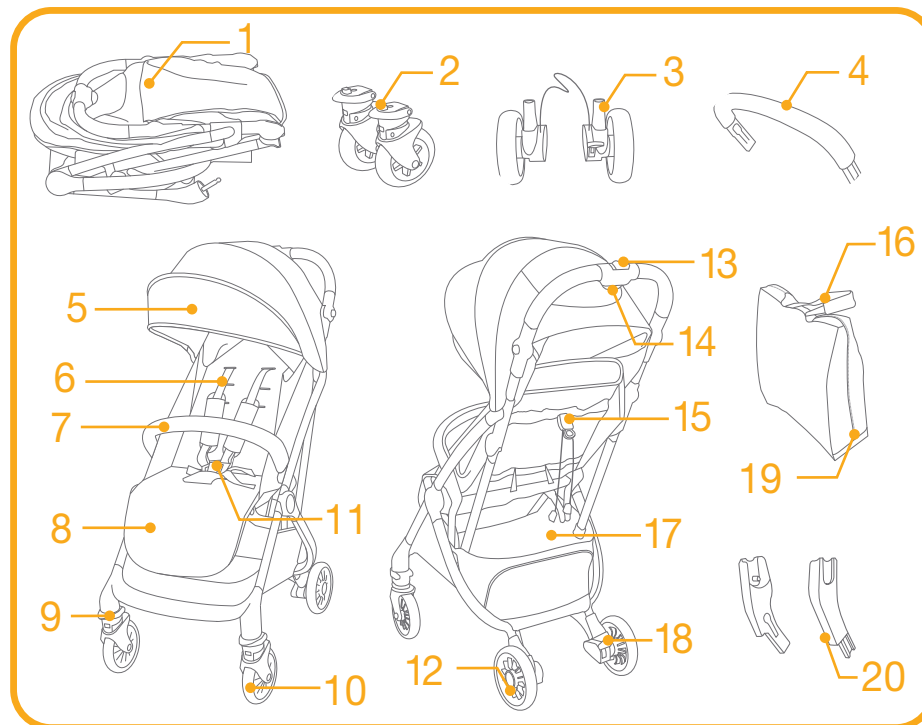
Noodgeval

Bij een noodsituatie of een ongeluk is het heel belangrijk om uw kind direct te laten verzorgen met eerste hulp en medische behandeling.

Productinformatie

Lees alle aanwijzingen in deze handleiding voordat u het product gebruikt. Als u vragen hebt, kunt u contact opnemen met de verkoper. Sommige functies kunnen verschillen, afhankelijk van het model.

Product	Tourist wandelwagen
Geschikt voor	kind tot 15kg (geboorte - 36 maanden)
Materiaal	Kunststoffen, metaal, geweven stoffen
Patent nr.	Patent aangevraagd
Gemaakt in	China
Merknaam	Joie
Website	www.joiebaby.com
Fabrikant	Allison Baby UK Ltd.



Onderdelenlijst

Zorg dat alle onderdelen voor het opslaan droog zijn. Als er items ontbreken of beschadigd zijn, kunt u contact opnemen met uw leverancier. Voor de montage is geen gereedschap nodig.

1 Wandelwagenframe	11 Gesp
2 Voorwiel	12 Achterwiel
3 Achterwiel	13 Tweede slot
4 Armsteun	14 Vouwgreep
5 Kap	15 Instelregelaar rugsteun
6 Schouderriem	16 Draagriem
7 Armsteun	17 Opbergmand
8 Kuitsteun	18 Remgreep
9 Draaislot	19 Draagtas
10 Voorwiel	20 Adapter

Accessoires

(Mogelijk niet meegeleverd)

Regenkap

Accessoires kunnen al dan niet apart leverbaar zijn, afhankelijk van de regio.



WAARSCHUWING

- ! **WAARSCHUWING** Altijd het veiligheidstuigje gebruiken. Veiligheidsriemen en zitsystemen moeten op de juiste wijze worden gebruikt.
- ! **WAARSCHUWING** Zorg ervoor dat alle vergrendelingsmechanismes vast zitten voor dat je het product gebruikt.
- ! **WAARSCHUWING** Laat het kind niet met dit product spelen.
- ! **WAARSCHUWING** Controleer voor gebruik of het wiegje, het kinderwagenzitje, of het autostoeltje goed vast zit op het kinderwagenchassis.
- ! Montage door volwassene vereist.
- ! Gebruik de wandelwagen voor een kind dat minder dan 15 kg weegt. Als het kind niet past, kan dit de wandelwagen beschadigen.
- ! Om een gevaarlijke en instabiele conditie te vermijden, moet u niet meer dan 4,5 kg in de opbergmand plaatsen.
- ! Nooit het kind zonder toezicht laten. Let altijd op uw kind als het in de wandelwagen zit.
- ! Gebruik de wandelwagen met slechts één kind tegelijk. Leg nooit handtassen, boodschappentassen, pakjes of onderdelen van toebehoren op de greep of de kap.
- ! Gebruik geen toebehoren die niet door de fabrikant zijn goedgekeurd. Gebruik uitsluitend vervangende onderdelen die zijn geleverd of aanbevolen door de fabrikant.
- ! Gebruik nooit accessoires, onderdelen of componenten die niet door de fabrikant zijn gemaakt of goedgekeurd. Lees altijd eerst zorgvuldig de handleiding.
- ! Lees alle aanwijzingen in deze handleiding voordat u het product gebruikt. Bewaar de handleiding voor later gebruik. Niet-naleving van de waarschuwingen en de instructies kan ernstig letsel of de dood veroorzaken.
- ! Om ernstig letsel te vermijden door vallen of uit de wagen

glijden, moet u altijd de riemen gebruiken.

- ! Zorg er voor dat het lichaam van uw kind geen bewegende onderdelen raakt wanneer u uw kind in de kinderwagen zet.
- ! Zorg ervoor dat de wandelwagen volledig geopend of dichtgevouwen is voordat u uw kind in de buurt laat komen.
- ! Het kind kan in de beenopeningen glijden en gewurgd worden als het harnas niet wordt gebruikt.
- ! Gebruik de wandelwagen nooit op trappen of roltrappen.
- ! Uit de buurt houden van voorwerpen, vloeistoffen en elektronica met een hoge temperatuur.
- ! Laat uw kind nooit in de wandelwagen staan of met het hoofd naar de voorkant van de wandelwagen zitten.
- ! Plaats de wandelwagen nooit op wegen, hellingen of gevaarlijke gebieden.
- ! Om verstikking te voorkomen, moet u GEEN voorwerpen met een koord rond de hals van uw kind hangen, de koorden van dit product laten hangen of koorden aan speelgoed bevestigen.
- ! Elke last bevestigd aan de greep of op de achterkant van de rugsteun of de zijkanten van de wandelwagen beïnvloeden de stabiliteit van de wandelwagen.
- ! Til de wandelwagen NIET op als daar een kind in zit.
- ! Gebruik de opbergmand NIET om een kind in te plaatsen.
- ! Om omvallen te voorkomen, moet u het kind nooit in de wandelwagen laten klimmen. Til het kind altijd in en uit de wandelwagen.
- ! Om afgeklemd vingers te voorkomen, moet u opletten bij het in- en uitvouwen van de wandelwagen.
- ! Zorg ervoor dat het kind uit de buurt is tijdens het in- en uitklappen van het product om letsel te voorkomen.
- ! Om voor de veiligheid van uw kind te zorgen, moet u ervoor zorgen dat alle onderdelen goed zijn gemonteerd en vastgezet voordat u de wandelwagen gebruikt.

- ! Om wurging te voorkomen, moet u ervoor zorgen dat uw kind uit de buurt blijft van de kap en de regenkap.
- ! Gebruik altijd de remmen bij het parkeren van de wandelwagen.
- ! Gebruik de wandelwagen niet meer als deze is beschadigd of kapot is.
- ! De wandelwagen mag alleen met een loopsnelheid gebruikt worden. Dit product is niet bedoeld voor gebruik tijdens het joggen.
- ! Om verstikking te voorkomen, moet u de plastic zak en verpakkingsmaterialen verwijderen voordat u de stoel gebruikt. Houd de plastic zak en verpakkingsmaterialen buiten bereik van baby's en kinderen.
- ! Dit product is niet geschikt om mee hard te lopen of te skeeleren.
- ! Wandelwagen ontworpen voor gebruik vanaf de geboorte, gebruik de meest vlakke stand voor pasgeboren baby's.
- ! Bij het plaatsen en verwijderen van het kind moet de parkeerrem geactiveerd zijn.
- ! De draagwieg is alleen geschikt voor een kind dat niet zonder hulp rechtop kan zitten, om kan rollen of zichzelf op handen en knieën opdrukken. Maximumgewicht van het kind: 9 kg.
- ! De draagwieg mag NIET worden gebruikt voor langdurig slapen.
- ! GEEN ander matras gebruiken dan is meegeleverd met de draagwieg.
- ! Voor kinderstoeltjes die gebruikt worden in combinatie met een chassis, vervangt dit voertuig geen draagwieg of bed. Als uw kind moet slapen, moet u het in een geschikte kinderwagen, wieg of bed leggen.
- ! Bewaar de draagriem in de zak van de beensteun als u deze niet gebruikt.

Montage wandelwagen

(Raadpleeg de afbeeldingen op pagina 1-12)

Lees alle aanwijzingen in deze handleiding voordat u het product opzet en gebruikt.

Open wandelwagen

zie afbeeldingen ① - ④

! Controleer of de wagen goed vergrendeld is voordat u hem gebruikt.

Voorwiel monteren en demonteren

zie afbeeldingen ⑤ - ⑥

Achterwiel monteren en demonteren

zie afbeeldingen ⑦ - ⑩

! Druk op de klikknoppen om de achterwielen te verwijderen. ⑨

! Vouw de opbergmand rond het frame en de remas en klik hem op zijn plaats. ⑩

Armsteun monteren en demonteren

zie afbeeldingen ⑪ - ⑬

De volledig gemonteerde wandelwagen is afgebeeld als ⑭

Gebruik wandelwagen

Riem gebruiken

zie afbeeldingen 15 - 16

Maak de gesp los

Druk op de knop in het midden om de riem los te maken. 15

Riem vastmaken

Verbind de middelriem met de schouderriem 16 - 1 en klik in de middengesp. 16 - 2 Een klikkend geluid betekent dat de riem vergrendeld is. 16 - 3

- ! Om ernstig letsel te voorkomen door uit de stoel vallen of glijden, moet u uw kind altijd met de riemen vastzetten.
- ! Zorg er voor dat uw kind goed vast zit. De ruimte tussen het kind en de schouderriemen moet ongeveer de dikte van een hand zijn.
- ! De schouderriemen NIET kruisen. Dat veroorzaakt druk op de nek van het kind.

Schouder- en middelriemen gebruiken

zie afbeeldingen 17 - 20

! Om te voorkomen dat uw kind uit de stoel valt, moet u controleren of de schouder- en middelriemen op de juiste hoogte en lengte zitten.

17 - 1 Schouderriemanker A

17 - 2 Instelling

Gebruik voor een groter kind schouderriemanker A en de hoogste schouderleuven. Gebruik voor een kleiner kind schouderriemanker A en de laagste schouderleuven.

Om de hoogte van de schoudergordels aan te passen, draait u de schoudergordel uit de bovenste positie. 18 - 1 Leid de gordel vervolgens door naar de voorkant van de stoel, pas de hoogte aan zoals vereist en leid de gordel terug erdoor heen. 18 - 2

Zorg ervoor dat de schoudergordel vast wordt gezet in de hoogste positie 19

! Zodra de schoudergordelhoogte is ingesteld, MOET de gordel ook worden bevestigd door de hoogste gleuf in de rugleuning.

Gebruik de schuifregelaar om de lengte van de riemen in te stellen. 20 - 1

Druk op de knop 20 - 2 terwijl u de middelriem op de juiste lengte trekt. 20 - 3

Rugsteun instellen

zie afbeeldingen 21 - 22

Rugsteun naar achteren brengen

Trek aan de tab om de rugsteun naar achteren te brengen. 21

! Houd de rugsteun met de andere hand vast als er al een kind in de wandelwagen zit.

De rugsteun omhoog brengen

Houd zowel de linker- als rechterkoorden vast en druk de hoekinstelling omhoog om de rugsteun omhoog te brengen. 22

! Controleer of de helling goed is ingesteld.

Kuitsteun aanpassen

zie afbeeldingen 23

De kuitsteun heeft 2 standen.

Kuitsteun naar boven

Breng de kuitsteun omhoog door deze omhoog te drukken. Een klikkend geluid betekent dat de riem vergrendeld is.

Kuitsteun naar beneden

Druk op de instelknoppen aan weerskanten van de kuitsteun 23 - 1 en draai de kuitsteun omlaag. 23 - 2

Blokkering voorwielen

zie afbeeldingen 24

Druk de blokkering van de voorwielen omhoog om de bewegingsrichting te behouden. 24

Tip Aanbevolen wordt om de draaiblokkering op ongelijke oppervlakken te gebruiken.

Remmen

zie afbeeldingen 25 - 26

Trap de remhendel omlaag om de wielen te blokkeren. 25

Licht de remhendel op om de wielen vrij te geven. 26

Tip Zet de rem altijd vast als de wandelwagen moet stilstaan.

Kap gebruiken

zie afbeeldingen 27

U kunt de kap openen of opvouwen, trek hem naar voren of naar achteren. 27

Gebruik afdekking schouderriemen en afdekking kruisriemen

De afdekking van de schouderriemen of van de kruisriemen kan worden losgemaakt van de spanriemen. Ga in omgekeerde volgorde te werk om de afdekking van de schouderriem en de middelrem te monteren.

Handgreep instellen

zie afbeeldingen 28

De hendel is instelbaar in 3 standen.

Druk om de hendel in te stellen tegelijkertijd op de instelknoppen links en rechts, en draai de hendel in de gewenste positie.

wandelwagen opvouwen

zie afbeeldingen 29 - 36

! Vouw de kap op voordat u de wandelwagen opvouwt.

Druk op het tweede slot 29 - 1 en knijp in de invouwknop 29 - 2. Duw de wandelwagen naar voren voor opvouwen.

! Pak de draagtas en de wandelwagen zal u volgen. 36

Accessoires gebruiken

Accessoires kunnen al dan niet apart leverbaar zijn, afhankelijk van de regio.

Gebruiken met babyzitje of draagwieg

zie afbeeldingen 37 - 46

Bij het gebruik met Joie-babyzitje i-Level, i-Snug, gemm, i-Gemm of Ramble, moet u de volgende instructies raadplegen.

! Als u problemen ondervindt bij het gebruik van het babyzitje of de draagwieg, raadpleeg dan de betreffende handleidingen.

! Vouw de wandelwagen niet op als het babyzitje of de draagwieg nog bevestigd is.

Regenkap gebruiken

zie afbeeldingen 47

Om de regenkap te monteren, plaatst u deze over de wandelwagen, waarna u de afdichtingen en haken en lusbevestigingen op de regenkap vastzet.

! Voordat u de regenkap gebruikt, moet u ervoor zorgen dat de rugsteun is ingesteld op de laagste stand en dat het babyzitje is bevestigd.

! Controleer altijd op voldoende ventilatie als u de regenkap gebruikt.

! Controleer of de regenkap schoon en droog is voor u ze opvouwt.

! Vouw de wandelwagen niet op als de regenkap gemonteerd is.

! Zet uw kind niet bij warm weer in de wandelwagen als de regenkap gemonteerd is.

Zachte voorwerpen losmaken

zie afbeeldingen 48 - 62

1. Volg de stappen 48 - 62 voor het losmaken van zachte voorwerpen.
 - ! Bewaar de kapdraad goed nadat u het hebt verwijderd, en moet de kapdraad monteren bij het monteren van de kap.
2. Om het zachte materiaal opnieuw te bevestigen, herhaalt u de bovenstaande stappen in omgekeerde volgorde.

Verzorging en onderhoud

zie afbeeldingen 63

- ! Het uitneembare kussen van het zitje mag met koud water worden gewassen en te drogen gehangen. Geen bleekmiddel. Raadpleeg het verzorgingslabel voor instructies betreffende reiniging van de stoffen onderdelen van de wandelwagen.
- ! Gebruik voor het schoonmaken van het frame alleen zeep en warm water. Geen bleekmiddel of schoonmaakmiddelen. Veeg de plastic onderdelen periodiek schoon met een zachte vochtige doek. Droog de metalen onderdelen om de vorming van roest te voorkomen als de wandelwagen in contact is geweest met water.
- ! Controleer de wandelwagen van tijd tot tijd op losse schroeven, slijtage, scheuren en beschadigde naden. Vervang of herstel de onderdelen als dat nodig is.
- ! Overmatige blootstelling aan zon of warmte kan vervagen of vervormen van onderdelen veroorzaken.
- ! Als de wandelwagen nat is geworden, moet u de kap openen en hem laten drogen voordat u hem opbergt.
- ! Als de wieltjes piepen, moet u dunne olie gebruiken (bijvoorbeeld siliconenspray, antiroest-olie of naaimachine-olie). De olie moet in de as en het wielstel komen. 63

! Als u de wandelwagen op het strand gebruikt, moet u hem goed schoonmaken na het gebruik om alle zand en zout van het mechanisme en de wielen te verwijderen.

PT Bem-vindo a Joie™

Parabéns por fazer parte da família Joie! É um prazer fazer parte da sua viagem com seu filho/sua filha. Enquanto estiver usando o Joie Tourist™, você está usando um carrinho de bebê de alta qualidade, totalmente certificado, aprovado com os padrões europeus de segurança EN 1888-1:2018. Este produto é adequado para uso com crianças com peso inferior a 15kg. Leia atentamente este manual e siga cada passo para uma viagem confortável e a melhor proteção para seu filho/sua filha.

Importante - Leia cuidadosamente e guarde para futura referência.

Visite-nos em joiebaby.com para baixar manuais e ver mais emocionantes produtos Joie!

Para informações sobre a garantia, por favor visite nosso website em joiebaby.com

Sumário

Figuras	1-12
AVISO	89
Montagem do carrinho	90
Carrinho aberto	90
Montar e retire a roda dianteira	90
Montar & desanexar da roda traseira	90
Montar & desanexar barra de braço	90

Operação de carrinho	91
Usar a fivela	91
Uso do cinto de ombro e de cintura	91
Ajustar o encosto	92
Ajustar o suporte de panturrilha	92
Uso do giro frontal fechamento	93
Uso do freio	93
Uso do dossel	93
Uso da capa de cinto de ombro e virilha	93
Ajuste da alça	93
Dobrar o carrinho de bebê	94
Usar Acessórios	94
Uso com o dispositivo de cadeirinha ou berço de viagem	94
Usar Capa de chuva	94
Desanexar peças macias	95
Cuidados e manutenção	95

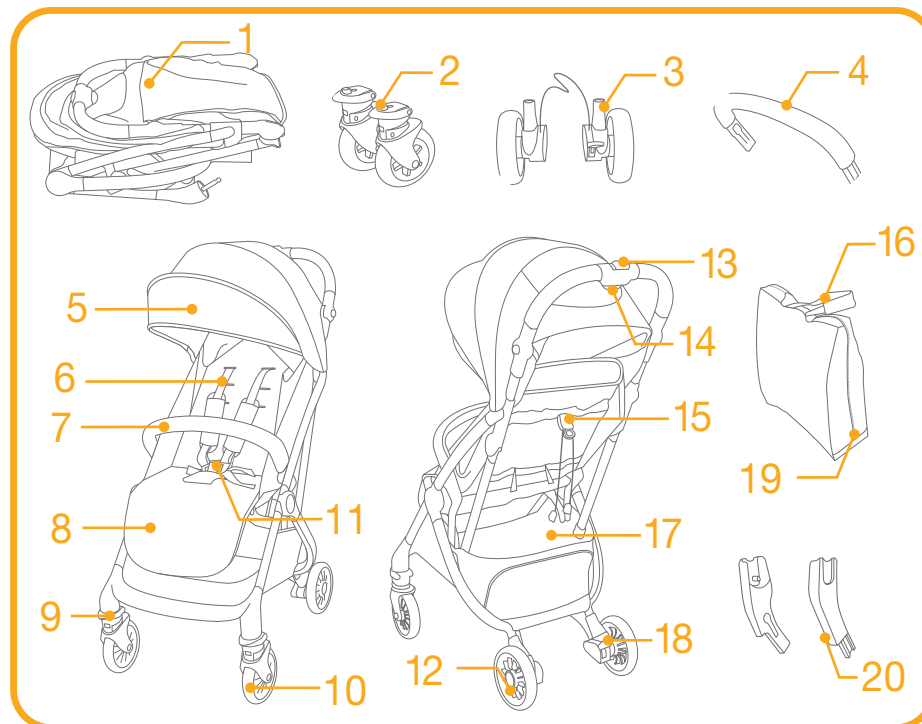
Emergência

Em caso de emergência ou acidentes, é mais importante fornecer ao seu filho primeiros socorros e tratamento médico imediatamente.

Informações do Produto

Leia todas as instruções deste manual antes de utilizar o produto. Se tiver quaisquer dúvidas, contate o revendedor. Os recursos podem variar dependendo do modelo.

Produto	Carrinho Tourist
Adequado para	Crianças pesando até 15kg (nascimento - 36 meses)
Materiais	Plásticos, metal, tecido
N.º de Patente	Patente Pendente
Fabricado na	China
Nome da marca	Joie
Website	www.joiebaby.com
Fabricante	Allison Baby UK Ltd.



Lista de Peças

Certifique-se de que todas as peças estão disponíveis antes da montagem. Se alguma peça estiver faltando, entre em contato com o representante local. Não são necessárias ferramentas para a montagem.

1	Estrutura de carrinho de bebê	11	Fivela
2	Roda frontal	12	Roda traseira
3	Roda traseira	13	Trava secundária
4	Barra de braço	14	Alça para dobrar com uma mão
5	Capota	15	Ajuste do encosto das costas
6	Cinto de ombros	16	Tira de carregamento
7	Barra de braço	17	Cesta para armazenamento
8	Suporte de panturrilha	18	Alavanca de freio
9	Elo giratório	19	Bolsa de Transporte
10	Roda frontal	20	Adaptador

Acessórios

(Podem não estar incluídos)

Cobertura de chuva

Os acessórios podem ser vendidos separadamente ou podem não estar disponíveis dependendo da região.



ADVERTÊNCIA

- ! ADVERTÊNCIA Utilize sempre o sistema de retenção. Cintos de segurança e sistemas de retenção devem ser usados corretamente.
- ! ADVERTÊNCIA Verifique se todos os pontos de encaixe estão bem fixos antes de usar o produto.
- ! ADVERTÊNCIA Não deixe a criança brincar com este produto.
- ! ADVERTÊNCIA Verifique que a alcofa, o assento reversível ou a cadeira auto estão corretamente encaixados antes de usar o product.
- ! Montagem por adulto necessária.
- ! Use o carrinho com uma criança com menos de 15kg. Causará danos ao carrinho com uma criança inadequada.
- ! Para evitar uma condição perigosa, instável, não coloque mais de 4,5 kg no cesto de armazenamento.
- ! Nunca deixe a criança sozinha. Observe sempre a criança enquanto ela estiver no carrinho.
- ! Use o carrinho de bebê com apenas uma criança por vez. Nunca coloque bolsas, sacolas, sacos ou itens de acessórios na alça ou na capota.
- ! Não devem ser utilizados acessórios não aprovados pelo fabricante. Apenas peças de substituição fornecidas ou recomendadas pelo fabricante devem ser usadas.
- ! Nunca use acessórios, peças ou componentes não produzidos ou aprovados pelo fabricante. Por favor leia este manual de instruções cuidadosamente.
- ! Leia todas as instruções deste manual antes de utilizar o produto. Guarde este manual de instruções para uso futuro. A não observância dessas instruções pode resultar em ferimento grave ou morte.
- ! Para evitar ferimentos graves devido a queda ou escorregamento, utilize sempre o cinto.

- ! Certifique-se que o corpo do seu filho está livre das partes móveis ao ajustar o carrinho.
- ! Certifique-se de que o carrinho está totalmente aberto ou dobrado antes de permitir que a criança chegue perto do carrinho.
- ! A criança pode escorregar nas aberturas para perna e ser estrangulada se o cinto não for usado.
- ! Nunca utilize o carrinho de passeio em escadas ou escadas rolantes.
- ! Mantenha longe de objetos de alta temperatura, líquidos e eletrônicos.
- ! Nunca deixe sua criança de pé no carrinho ou sentada no carrinho com a cabeça voltada para frente do carrinho.
- ! Nunca coloque o carrinho em estradas, encostas ou áreas perigosas.
- ! Para evitar estrangulamento, NÃO coloque os itens com uma cinta em torno do pescoço da criança, suspenda as cintas deste produto, ou acople as cintas aos brinquedos.
- ! Qualquer carga pendurada à alça e/ou na parte traseira do encosto e/ou nas laterais do carrinho afetarão a estabilidade do carrinho.
- ! NÃO levante o carrinho enquanto a criança está no carrinho.
- ! NÃO use cesta de armazenamento como transporte para criança.
- ! Para evitar tombamento, nunca deixe a criança subir no carrinho. Levante sempre a criança dentro e fora do carrinho.
- ! Para evitar prender o dedo, tenha cuidado quando dobrar e desdobrar o carrinho.
- ! Para evitar lesões, assegure-se de que a criança está afastada do produto enquanto o abre e fecha.
- ! Para garantir a segurança da criança, certifique-se que todas as partes estão montadas e fixadas corretamente antes de utilizar o carrinho de passeio.

- ! Para evitar o estrangulamento, certifique-se de que seu filho está livre da capota ou capa de chuva.
- ! Sempre acione os freios quando estacionar o carrinho.
- ! Descontinue o uso carrinho se ele estiver danificado ou quebrado.
- ! O carrinho de bebê deve ser usado apenas na velocidade de caminhada. Este produto não é para uso em corridas.
- ! Para evitar asfixia, retire o saco de plástico e materiais de embalagem antes de usar este produto. O saco plástico e materiais de embalagem devem, então, ser mantidos afastados de bebês e crianças.
- ! Não é conveniente utilizar este produto para correr ou patinar.
- ! Carrinho de bebê concebido para ser usado desde o nascimento deve recomendar o uso da posição mais reclinada para bebês recém-nascidos.
- ! O dispositivo de estacionamento deve permanecer engatado quando colocar e retirar as crianças.
- ! O carrinho só é adequado para uma criança que não pode se sentar em cima sem ajuda, rebolar e não pode se levantar em suas mãos e joelhos. Peso máximo da criança: 9kg.
- ! O carrinho NÃO deve ser usado para sono prolongado.
- ! NÃO use ou adicione qualquer colchão diferente do fornecido com o carrinho.
- ! Para retenção para crianças usada em conjunto com um chassi, este veículo não substitui um berço ou uma cama. Se seu filho precisar dormir, então ele deve ser colocado em um berço ou cama apropriado.
- ! Guarde a alça de transporte na traseira do bolso de apoio da barriga das pernas enquanto não estiver a ser utilizada.

Montagem do Carrinho de Bebê

(Consulte as figuras na página 1-12)

Leia todas as instruções neste manual antes de montar e usar este produto.

Abrir o carrinho de bebê

ver imagens ① - ④

! Verifique se o carrinho está completamente travado antes de usar.

Montar e soltar as rodas dianteiras

ver imagens ⑤ - ⑥

Montar e soltar as rodas traseiras

ver imagens ⑦ - ⑩

! As rodas traseiras podem ser desmontadas, premindo pressão dos botões. ⑨

! Enrole a cesta de armazenamento em torno do quadro e eixo de freio, e em seguida, encaixe no lugar. ⑩

Montar e soltar a barra de braço

ver imagens ⑪ - ⑬

O carrinho completamente montado é mostrado como em ⑭

Operação do Carrinho de Bebê

Usar a fivela

ver imagens 15 - 16

Fivela de liberação

Pressione o botão central para soltar a fivela. 15

Fivela de trava

Combine o fecho do cinto de cintura com o fecho do cinto de ombro - 1 e encaixe no fecho central 16 - 1. 16 - 2 Um som de "clique" significa que a fivela está travada completamente.

16 - 3

- ! Para evitar ferimentos graves devido a queda ou escorregamento, sempre prenda seu filho no cinto.
- ! Certifique-se que a criança está confortavelmente segura. O espaço entre a criança e a correia de ombro é de aproximadamente a espessura de uma mão.
- ! Não cruze os cintos de ombro. Isso fará pressão no pescoço da criança.

Usar cinto de ombro e cintura

ver imagens 17 - 20

! Para proteger seu filho de quedas, depois que seu filho for colocado no assento, verifique se os cintos de ombro e cintura estão na altura e comprimento apropriados.

17 - 1 Âncora de cinto de ombro A

17 - 2 Deslize o ajuste

Para crianças maiores, use cinto de âncora de cinto de ombro A e as ranhuras de ombro mais altas. Para crianças menores, use cinto de âncora de cinto de ombro A e as ranhuras de ombro mais baixas.

Para ajustar a posição das alças, enrole a correia a partir da posição de fixação superior. 18 - 1 Em seguida, passe a

correia pela ranhura para a frente da cadeira, ajuste para a altura necessária e volte a passar a correia pela ranhura. 18 - 2

Certifique-se de que a alça passa pela posição de fixação superior. 19

! Depois de ajustar a altura da alça, a correia DEVE também passar pela ranhura superior do encosto da cadeira.

Use o ajuste deslizante para alterar o comprimento do cinto. 20 - 1

Pressione o botão 20 - 2, ao puxar o cinto de cintura para o comprimento correto. 20 - 3

Ajuste do encosto

ver imagens 21 - 22

Reclinar o encosto

Puxe a aba para reclinar o encosto. 21

! Mantenha o encosto com a outra mão se uma criança já estiver sentada no carrinho.

Levantar o encosto

Segure as alças esquerda e direita e puxe até o ajuste de ângulo para levantar o encosto. 22

! Certifique-se que o encosto está colocado corretamente para uso.

Ajustar o suporte da panturrilha

ver imagens 23

O apoio da perna tem 2 posições.

Eleve o suporte da perna

Para levantar o apoio de perna, apenas empurre-o. Um som de "clique" significa que a panturrilha está travada completamente.

Baixe o suporte da perna

Pressione os botões de ajuste em ambos os lados do suporte de perna 23 - 1 e gire para baixo. 23 - 2

Usar a trava articulada frontal

ver imagens 24

Empurre para cima os bloqueios de giro frontal para manter a direção do movimento. 24

Sugestão É recomendável usar bloqueio giratório em superfícies irregulares.

Usar o freio

ver imagens 25 - 26

Para travar as rodas, pise na alavanca do freio para baixo. 25

Para liberar as rodas, basta levantar a alavanca do freio. 26

Sugestão Sempre acione o freio de estacionamento quando o carrinho de criança não está se movendo.

Uso do dossel

ver imagens 27

A capota pode ser aberta ou dobrada, puxe-a para frente ou para trás. 27

Use a capa de cinto de ombro e capa de cinto de virilha

A cobertura ou tampa do cinto da virilha pode ser removida a partir da teia. Para montar a capa do cinto de ombro e capa de cinto de cinto de virilha em passos inversos.

Ajuste da alça

ver imagens 28

A alça pode ser ajustada em 3 posições.

Para ajustar a alça, pressione à esquerda e os botões de ajuste pega direita ao mesmo tempo e giram o punho para uma posição desejável.

Dobrar o carrinho de bebê

ver imagens 29 - 36

! Por favor, dobre a capota antes de dobrar o carrinho.

Empurre o bloqueio secundário 29 - 1 e aperte o botão de dobrar com uma mão 29 - 2. Empurre o carrinho para a frente para dobrar.

! Pegue o saco de transporte, o carrinho vai segui-lo. 36

Usar acessórios

Os acessórios podem ser vendidos separadamente ou podem não estar disponíveis dependendo da região.

Uso com o dispositivo de cadeirinha ou berço de viagem

ver imagens 37 - 46

Quando usando com cadeirinha Joie i-Level, i-Snug, gemm, i-Gemm ou berço de viagem Ramble, por favor consulte as seguintes instruções.

! Se você tiver qualquer problema sobre como usar o dispositivo de retenção infantil, consulte por favor seus próprios manuais de instrução.

! Por favor, não dobre o carrinho quando o dispositivo de retenção infantil ainda estiver anexado.

Usar Capa de chuva

ver imagens 47

Para montar a capa de chuva, coloque-a sobre o carrinho e, em seguida, anexar os fixadores e gancho e laço na capa de chuva.

! Antes de utilizar a capa de chuva, por favor certifique-se que o encosto foi ajustado na posição mais baixa e o dispositivo de retenção infantil foi fixado.

! Ao usar a capa de chuva, por favor, verifique sempre sua ventilação.

! Quando não estiver em uso, por favor, verifique que a capa de chuva foi limpa e seca antes de dobrar.

- ! Não dobre o carrinho depois de montar a capa de chuva.
- ! Não coloque a criança no carrinho montado com capa de chuva durante tempo quente.

Retirar partes macias

ver imagens 48 - 62

1. Siga os passos 48 - 62 para soltar as partes macias.
 - ! Por favor guarde bem o cabo do capô depois de removê-lo e monte o cabo do capô montar o capô.
2. Para re-anexar as partes macias, por favor, repita os passos acima nos passos inversos .

Cuidado e Manutenção

ver imagens 63

- ! A almofada do assento removível pode ser lavada em água fria em seca. Não usar alvejante. Consulte a etiqueta de cuidados para obter instruções sobre a limpeza das telas da tela do carrinho.
- ! Para limpar a estrutura, use apenas água morna e sabão. Sem alvejante ou detergente. Periodicamente, limpe as partes de plástico com um pano úmido. Sempre seque as partes metálicas para evitar a formação de ferrugem se o carrinho tiver que entrar em contato com a água.
- ! De vez em quando, verifique seu carrinho para parafusos soltos, peças desgastadas, rasgadas ou costura. Substitua ou repare as peças como necessário.
- ! A exposição excessiva ao sol ou calor pode causar desbotamento ou deformação das peças.
- ! Se carrinho ficar molhado, abra o capô e deixe secar completamente antes de guardar.
- ! Se as rodas rangem, use um óleo leve (ex., Spray de silicone, óleo antiferrugem ou óleo de máquina de costura). É importante obter o óleo para o conjunto do eixo e roda. 63

- ! Quando utilizar o carrinho na praia, limpe completamente o seu carrinho após o uso para remover a areia e o sal dos mecanismos e rodas.

PL Witamy w Joie™

Gratulujemy zostania członkiem rodziny Joie! Bardzo się cieszymy z możliwości wspólnego podróżowania z Państwem dzieckiem. Podczas podróży z Joie Tourist™, korzystają Państwo z wysokiej jakości, w pełni certyfikowanego wózka spacerowego, posiadającego dopuszczenia zgodnie z europejską normą bezpieczeństwa EN 1888-1:2018. Ten produkt jest odpowiedni dla dzieci o wadze poniżej 15kg. Prosimy o uważne przeczytanie tego podręcznika i wykonanie każdej czynności, aby zapewnić wygodną jazdę i najlepsze zabezpieczenie dziecka.

Ważne - Zatrzymaj te instrukcje do przyszłego zastosowania.

Odwiedź nas pod adresem joiebaby.com w celu pobrania podręczników i sprawdzenia, innych ekscytujących produktów Joie!

W celu uzyskania informacji o gwarancji, należy odwiedzić naszą stronę internetową, pod adresem joiebaby.com

Spis treści

Rysunki	1-12
OSTRZEŻENIE	101
Montaż wózka	104
Otwieranie wózka	104
Montaż i demontaż kółek przednich	104
Montaż i demontaż kółek tylnych	104
Montaż i demontaż wspornika ramion	104

Obsługa wózka	105
Korzystanie ze sprzączki	105
Korzystanie z upręży na ramiona i pas	105
Regulacja oparcia	106
Regulacja podparcia łydek	106
Korzystanie z blokady obrotu	107
Korzystanie z hamulca	107
Korzystanie z daszka	107
Korzystanie z osłony upręży na ramiona i osłony upręży na krocze	107
Regulacja uchwytu	107
Składanie wózka	108
Korzystanie z akcesoriów	108
Korzystanie z fotelikiem samochodowym dla niemowlęcia lub fotelikiem transportowym	108
Korzystanie z osłony przeciwdeszczowej	108
Odłączanie miękkich elementów	109
Pielęgnacja i konserwacja	109

Sytuacja zagrożenia

W sytuacji zagrożenia lub po wypadku, najważniejsze jest, aby udzielić dziecku pierwszej pomocy i jak najszybciej poddać je leczeniu medycznemu.

Informacje o produkcji

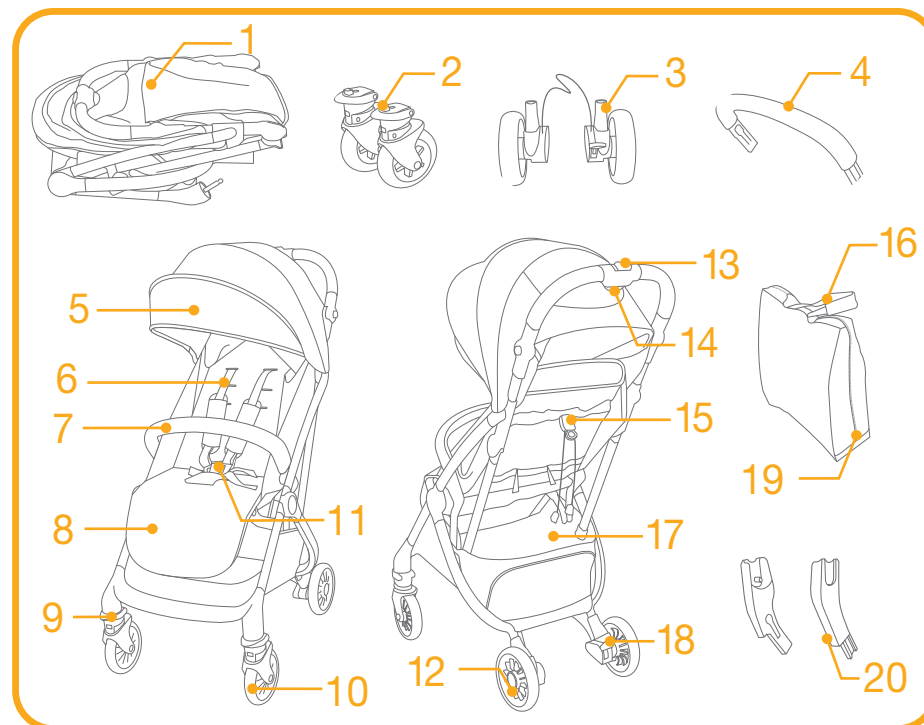
Przed rozpoczęciem używania tego produktu, należy przeczytać wszystkie instrukcje z tego podręcznika. W przypadku jakichkolwiek dalszych pytań, należy się skonsultować ze sprzedawcą. Niektóre funkcje zależą od modelu.

Produkt	Wózek dziecięcy Tourist
Odpowiedni dla	dziecka o masie ciała poniżej 15 kg (od urodzenia do 36 miesiąca życia)
Materiały	Tworzywa sztuczne, metal, tkaniny
Nr patentu	W trakcie patentowania
Wyprodukowano w	Chinach
Nazwa marki	Joie
Strona internetowa	www.joiebaby.com
Producent	Allison Baby UK Ltd.

Wykaz części

Przed montażem należy się upewnić, że dostępne są wszystkie części. Jeśli którejś z części brakuje, należy się skontaktować z lokalnym sprzedawcą. Do montażu nie są potrzebne żadne narzędzia.

1 Rama wózka	12 Koło tylne
2 Koło przednie	13 Blokada wtórna
3 Koło tylne	14 Uchwyt składania jedną ręką
4 Wspornik ramion	15 Regulator oparcia
5 Daszek	16 Pasek transportowy
6 Uprząż na ramiona	17 Koszyk transportowy
7 Wspornik ramion	18 Dźwignia hamulca
8 Podparcie łydek	19 Torba transportowa
9 Blokada obrotu	20 Adapter
10 Koło przednie	
11 Sprzączka	



Akcesoria

(Mogą nie być dostarczone)

Osłona przeciwdeszczowa

Akcesoria mogą być sprzedawane oddzielnie lub w zależności od regionu, mogą nie być dostępne.



OSTRZEŻENIE

- ! OSTRZEŻENIE Zawsze używaj systemu zapieć. Pasy bezpieczeństwa i systemy przytrzymujące muszą być używane prawidłowo.
- ! OSTRZEŻENIE Upewnij się przed użyciem, czy wszystkie urządzenia blokujące są włączone.
- ! OSTRZEŻENIE Nie pozwalaj dziecku bawić się niniejszym wyrobem.
- ! OSTRZEŻENIE Sprawdź, czy urządzenia mocujące gondolę lub siedzisko lub fotelik samochodowy są prawidłowo załączone przed użyciem.
- ! Wymagany jest montaż przez osobę dorosłą.
- ! Wózek dziecięcy można używać dla dziecka o wadze poniżej 15kg. Nieodpowiednia waga dziecka może spowodować uszkodzenie wózka.
- ! Aby zapobiec niebezpiecznym sytuacjom, niestabilności, w koszu nie należy umieszczać więcej niż 4,5kg bagażu.
- ! Nigdy nie zostawiaj swojego dziecka bez opieki. Dziecko w wózku powinno być zawsze widoczne.
- ! W wózku dziecięcym może znajdować się jednocześnie tylko jedno dziecko. Nigdy nie należy zawieszania torebek, toreb na zakupy, paczek lub akcesoriów na uchwycie lub na daszku.
- ! Nie należy używać akcesoriów niezatwierdzonych przez producenta. Używać należy wyłącznie części zamiennych dostarczonych lub zalecanych przez producenta.
- ! Nigdy nie wolno używać akcesoriów, części lub komponentów nie wyprodukowanych lub niezatwierdzonych przez producenta. Należy dokładnie przeczytać podręcznik.
- ! Przed użyciem tego produktu, należy przeczytać wszystkie instrukcje z tego podręcznika. Ten podręcznik należy zachować do przyszłego użycia. Niestosowanie się do tych ostrzeżeń i instrukcji, może spowodować poważne obrażenia lub śmierć.
- ! Aby uniknąć poważnych obrażeń w wyniku upadku lub zsunęcia, należy używać pasa bezpieczeństwa.

- ! Podczas regulacji wózka dziecięcego należy się upewnić, że na ciele dziecka nie ma ruchomych części.
- ! Przed dopuszczeniem dziecka w pobliże wózka należy upewnić się, że jest on całkowicie rozłożony lub złożony.
- ! Jeśli nie będzie używana uprząż, dziecko może ześlizgnąć się do szczelin na nogi i udusić się.
- ! Nigdy nie należy używać wózka dziecięcego na schodach lub w windach.
- ! Należy unikać obiektów o wysokich temperaturach, płynów i elektroniki.
- ! Nigdy nie należy pozwalać dziecku stawać w wózku lub siadać w wózku głową zwróconą w kierunku wózka.
- ! Wózka dziecięcego nigdy nie należy ustawiać na drogach, stokach lub w niebezpiecznych miejscach.
- ! Aby uniknąć uduszenia, NIE wolno umieszczać na szyi dziecka elementów ze sznurkiem, pozostawiać wiszących sznurków na tym produkcie lub wiązać sznurków do zabawek.
- ! Każdy ładunek przymocowany do uchwytu i/lub z tyłu oparcia i/lub na bokach wózka będzie wpływać na stabilność wózka.
- ! NIE należy podnosić wózka dziecięcego, gdy znajduje się w nim dziecko.
- ! NIE należy używać kosza do przewożenia dziecka.
- ! Aby zapobiec przewróceniu, nigdy nie należy pozwalać dziecku na wspinanie się po wózku dziecięcym. Należy zawsze wkładać i wyjmować dziecko z wózka dziecięcego.
- ! Aby uniknąć uchwycenia palców, podczas składania i rozkładania wózka dziecięcego należy zachować ostrożność.
- ! Aby uniknąć obrażeń, upewnij się, czy twoje dziecko jest odsunięte kiedy rozkłada się lub składa niniejszy wyrób.
- ! Aby zapewnić bezpieczeństwo dziecka, przed użyciem wózka dziecięcego należy się upewnić, że wszystkie części zostały złożone i przymocowane prawidłowo.

- ! Aby uniknąć uduszenia, należy się upewnić, że dziecko nie jest przykryte daszkiem ani osłoną przeciwdeszczową.
- ! Podczas parkowania wózka dziecięcego należy zawsze uruchamiać hamulce.
- ! Należy przerwać używanie wózka jeśli zostanie on uszkodzony lub pęknięty.
- ! Wózek dziecięcy można używać wyłącznie z prędkością spacerową. Ten produkt nie jest przeznaczony do używania podczas joggingu.
- ! Aby uniknąć uduszenia, przed użyciem tego produktu należy usunąć plastikowy worek i materiały pakujące. Plastikowy worek i materiały pakujące należy trzymać z dala od niemowląt i dzieci.
- ! Niniejszy wyrób nie jest odpowiedni do biegania ani jazdy na rolkach.
- ! Wózek dziecięcy przeznaczony dla dzieci od urodzenia, dla noworodków powinien być używany w najbardziej nachylonej pozycji.
- ! Podczas wkładania i wyjmowania dzieci należy uruchomić urządzenie parkingowe.
- ! Fotelik transportowy nadaje się wyłącznie dla dziecka, które nie może usiąść bez pomocy, wywraca się i nie może raczkować na własnych rękach i kolanach. Maksymalna masa dziecka: 9 kg
- ! Fotelika transportowego NIE wolno używać do długotrwałego spania.
- ! NIE WOLNO używać ani dodawać żadnego materaca innego niż dostarczony wraz z fotelikiem transportowym.
- ! Systemy przytrzymujących dla niemowląt, używane w połączeniu z podstawą w pojeździe, nie zastępują łóżeczka dziecięcego lub łóżka. Gdy dziecko chce spać, należy je umieścić w odpowiednim wózku dziecięcym, łóżeczku dziecięcym lub na łóżku.
- ! Pasek transportowy, jeżeli nie jest używany, należy przechowywać w kieszeni z tyłu podparcia tydek.

Montaż wózka dziecięcego

(Patrz rysunki na stronach 1-12)

Przed montażem i rozpoczęciem używania tego produktu, należy przeczytać wszystkie instrukcje z tego podręcznika.

Rozkładanie wózka dziecięcego

Patrz rysunki ① - ④

! Przed kontynuowaniem używania należy sprawdzić, czy wózek dziecięcy jest całkowicie zatrzaśnięty.

Montaż i odłączanie kół przednich

Patrz rysunki ⑤ - ⑥

Montaż i odłączanie kół tylnych

Patrz rysunki ⑦ - ⑩

! Tylna kółka można zdemontować naciskając przyciski zwalniania. ⑨

! Owinąć koszyk transportowy wokół ramy i osi hamulca, a następnie zatrzasnąć na miejscu. ⑩

Montaż i odłączanie poprzeczki

Patrz rysunki ⑪ - ⑬

Całkowicie zmontowany wózek jest pokazany jako ⑭

Działanie wózka dziecięcego

Używanie sprzączki

Patrz rysunki 15 - 16

Zwolnienie sprzączki

Naciśnij środkowy przycisk, aby zwolnić sprzączkę. 15

Sprzączka blokady

Dopasuj sprzączkę pasa na brzuch do sprzączki pasa na ramiona 16 - 1, i wsuń do sprzączki centralnej. 16 - 2 Kliknięcie oznacza, że sprzączka została całkowicie zatrzaśnięta. 16 - 3

! Aby uniknąć poważnych obrażeń w wyniku upadku lub zsunienia, należy zawsze zabezpieczyć dziecko uprzężą.

! Należy się upewnić, że dziecko jest dobrze zabezpieczone. Odległość pomiędzy dzieckiem a uprzężą na ramiona powinna wynosić około grubości jednej dłoni.

! Nie należy krzyżować pasów na ramiona. Może to spowodować nacisk na kark dziecka.

Używanie uprzęży na barki i talię

Patrz rysunki 17 - 20

! Aby zabezpieczyć dziecko przed upadkiem, po umieszczeniu dziecka na siedzeniu, należy sprawdzić, czy uprząż na ramiona i na talię jest założona na właściwej wysokości i, czy ma odpowiednią długość.

17 - 1 Kotwa A uprzęży na ramiona

17 - 2 Regulator przesuwu

Dla większego dziecka, należy użyć kotwę A uprzęży i najwyższe szczeliny uprzęży na ramiona. W przypadku mniejszego dziecka należy użyć kotwę B uprzęży i najwyższe szczeliny uprzęży na ramiona.

Aby ustawić położenie uprzęży naramiennej, wyciągnij pasek uprzęży z górnego położenia zakotwiczenia. 18 - 1 Następnie przełóż pasek z przodu siedziska, ustaw żądaną wysokość i z powrotem przełóż go. 18 - 2

Upewnij się, że pas naramienny jest teraz z powrotem przełożony przez górne położenie zakotwiczenia. 19

! Po ustawieniu wysokości uprzęży naramiennej, pasek MUSI być również zamocowany przez najwyższą położoną szczelinę w oparciu.

Użyj regulatora przesuwu do zmiany długości uprzęży. 20 - 1

Naciśnij przycisk 20 - 2, wyciągając jednocześnie uprząż na pas na prawidłową długość. 20 - 3

Regulacja oparcia na plecy

Patrz rysunki 21 - 22

Nachylenie oparcia pleców

Pociągnij uchwyt, aby ustawić oparcie w pozycji półleżącej. 21

! Jeżeli dziecko siedzi w wózku, przytrzymać oparcie drugą ręką.

Podnoszenie oparcia pleców

Przytrzymać zarówno prawy jak i lewy sznurek i popchać do góry regulator kąta, celem podniesienia oparcia. 22

! Upewnij się, że nachylenie jest ustawione prawidłowo do używania.

Regulacja oparcia łydek

patrz rysunki 23

Oparcie łydek ma 2 pozycje.

Podnoszenie podparcia łydek

W celu podniesienia podparcia łydek wystarczy popchnąć je do góry. Dźwięk "kliknięcia" oznacza, że oparcie łydek jest całkowicie zablokowane.

Opuszczanie podparcia łydek

Naciśnij przyciski regulacji z obu stron podparcia łydek 23 - 1, i obróć podparcie łydek w dół. 23 - 2

Używanie przedniej blokady obrotu

patrz rysunki 24

Naciśnij przednie blokady obrotu, aby utrzymać kierunek ruchu. 24

Wskazówka Korzystanie z blokady obrotu zalecane jest na nierównych powierzchniach.

Używanie hamulca

Patrz rysunki 25 - 26

Aby zablokować koła, opuść w dół dźwignię hamulca. 25

Aby zwolnić koła, podnieś dźwignię hamulca do góry. 26

Wskazówka Zawsze, kiedy wózek stoi hamulec powinien być zablokowany.

Używanie daszka

patrz rysunki 27

Daszek można otwierać lub składać, pociągnij go do przodu lub do tyłu. 27

Używanie osłony upręży na ramiona i osłony upręży na krocze

Oslonę upręży na ramiona lub osłonę upręży na krocze można zdjąć z upręży. Aby zamontować osłonę upręży na ramiona i osłonę upręży na krocze należy wykonać podane czynności w kolejności odwrotnej.

Uchwyt regulacji

patrz rysunki 28

Uchwyt można ustawić w 3 położeniach.

W celu ustawienia uchwytu naciśnij jednocześnie przyciski regulacji uchwytu z lewej i prawej strony i obróć uchwyt do wymaganego położenia.

Składanie wózka dziecięcego

Patrz rysunki 29 - 36

! Przed złożeniem wózka dziecięcego należy złożyć daszek.

Naciśnij blokadę wtórną 29 - 1 i wciśnij przycisk składania jedną ręką 29 - 2. Popchnij wózek do przodu w celu złożenia.

! Chwyć torbę transportową, wózek będzie przemieszczał się z Tobą. 36

Używanie akcesoriów

Akcesoria mogą być sprzedawane oddzielnie lub w zależności od regionu, mogą nie być dostępne.

Korzystanie z fotelikiem samochodowym dla niemowlęcia lub fotelikiem transportowym

Patrz rysunki 37 - 46

Podczas korzystania z fotelika samochodowego dla niemowlęcia Joie i-Level, i-Snug, gemm, i-Gemm lub fotelika transportowego Ramble, należy przestrzegać poniższych zaleceń.

! W przypadku jakichkolwiek problemów w korzystaniu z fotelika samochodowego dla niemowlęcia lub fotelika transportowego należy zapoznać się z ich instrukcjami obsługi.

! Nie należy składać wózka dziecięcego jeżeli przymocowany jest do niego fotelik samochodowy dla niemowlęcia lub fotelik transportowy.

Korzystanie z osłony przeciwdeszczowej

patrz rysunki 47

W celu założenia osłony przeciwdeszczowej, nałożyć ją na wózek, a następnie przymocować zaczepy pętlowe i zatrzaski osłony przeciwdeszczowej.

! Przed użyciem osłony przeciwdeszczowej, upewnij się, że oparcie zostało ustawione w najniższym położeniu a fotelik samochodowy dla niemowlęcia został przymocowany.

! W przypadku korzystania z osłony przeciwdeszczowej należy zawsze pamiętać o sprawdzeniu wentylacji.

- ! Jeżeli osłona przeciwdeszczowa nie jest wykorzystywana należy pamiętać o jej wyczyszczeniu i wysuszeniu przed złożeniem.
- ! Nie wolno składać wózka z założoną osłoną przeciwdeszczową.
- ! W przypadku upalnej pogody nie wolno wkładać dziecka do wózka z założoną osłoną przeciwdeszczową.

Odłączanie miękkich elementów

Patrz rysunki 48 - 62

1. Wykonać czynności 48 - 62 w celu odłączenia elementów miękkich.
 - ! Dobrze przytrzymać linkę daszka po jego zdemontowaniu i pamiętać o założeniu linki podczas zakładania daszka.
2. W celu ponownego przymocowania elementów miękkich powtórzyć powyższe czynności w odwrotnej kolejności.

Pielęgnacja i konserwacja

patrz rysunki 63

- ! Wyjmowana wkładka siedzenia może być myta w zimnej wodzie i suszona przez powieszenie. Nie wolno stosować środków wybielających. Instrukcja czyszczenia części wózka wykonanych z tkaniny znajduje się na etykiecie dotyczącej konserwacji.
- ! Do czyszczenia ramy wózka wolno stosować jedynie mydło domowe i ciepłą wodę. Nie wolno stosować środków wybielających ani detergentów. Okresowo przecierać elementy z tworzywa sztucznego miękką wilgotną ściereczką. Jeżeli doszło do kontaktu wózka z wodą, zawsze należy wysuszyć części metalowe, celem zapobieżenia tworzeniu się rdzy.
- ! Od czasu do czasu sprawdzić, czy w wózku nie ma poluzowanych wkrętów, zużytych części, rozdartego materiału lub szwów. Naprawić lub wymienić części w razie potrzeby.
- ! Nadmierna ekspozycja na słońce lub ciepło może spowodować fałdowanie lub wyginanie się części.

- ! Jeżeli wózek ulegnie zamoczeniu, otworzyć daszek i wysuszyć go dokładnie przed dalszym przechowywaniem.
- ! Jeżeli kółka skrzypią użyć delikatnego oleju (np. spraju silikonowego, środka przeciwrzdzewnego lub oleju do maszyn do szycia). Ważne jest wprowadzenie oleju między oś a koło. 63
- ! W przypadku korzystania z wózka na plaży dokładnie oczyścić wózek po użyciu, w celu usunięcia piasku i soli z mechanizmów oraz zespołów kół.



Καλώς ήλθατε στη Joie™

Συγχαρητήρια, γίνετε μέλος της οικογένειας Joie! Είμαστε ιδιαίτερος ενθουσιασμένοι που θα βρισκόμαστε μαζί στο ταξίδι σας με το μικρό σας. Κατά τις μετακινήσεις σας με το Joie Tourist™, χρησιμοποιείτε ένα υψηλής ποιότητας, πλήρως πιστοποιημένο καροτσάκι που έχει εγκριθεί σύμφωνα με τα ευρωπαϊκά πρότυπα ασφαλείας EN 1888-1:2018. Το προϊόν αυτό είναι κατάλληλο για χρήση με παιδιά που ζυγίζουν κάτω από 15 κιλά. Διαβάστε προσεκτικά αυτό το εγχειρίδιο και ακολουθήστε κάθε βήμα για να εξασφαλίσετε άνετη μετακίνηση και βέλτιστη προστασία για το παιδί σας.

Σημαντικό – Διαβάστε προσεκτικά τις οδηγίες και φυλάξτε τις γιατί μπορεί να σας χρειαστούν στον μέλλον.

Επισκεφθείτε μας στο joiebaby.com για να κατεβάσετε εγχειρίδια και να δείτε κι άλλα συναρπαστικά προϊόντα Joie!

Για πληροφορίες σχετικά με την εγγύηση, επισκεφθείτε την ιστοσελίδα μας στο joiebaby.com

Περιεχόμενα

Εικόνες	1-12
ΠΡΟΕΙΔΟΠΟΙΗΣΗ	115
Συναρμολόγηση καροτσιού	118
Άνοιγμα καροτσιού	118
Συναρμολόγηση & αφαίρεση μπροστινού τροχού	118
Συναρμολόγηση & αφαίρεση πίσω τροχού	118
Συναρμολόγηση & αφαίρεση προστατευτικής μπάρας	118

Χρήση του καροτσιού	119
Χρήση της πόρπης	119
Χρήση των ιμάντων ώμων και μέσης	119
Ρύθμιση πλάτης	120
Ρύθμιση στηρίγματος ποδιών	120
Χρήση ασφάλειας μπροστινών τροχών	121
Χρήση του φρένου	121
Χρήση της κουκούλας	121
Χρήση των καλυμμάτων των ιμάντων	121
Ρύθμιση λαβής	121
Αναδίπλωση καροτσιού	122
Χρήση των εξαρτημάτων	122
Χρήση με πορτ μπεμπέ	122
Χρήση του καλύμματος βροχής	122
Αφαίρεση μαλακών στοιχείων	123
Φροντίδα και συντήρηση	123

Έκτακτη ανάγκη

Σε περίπτωση έκτακτης ανάγκης ή ατυχήματος, η παροχή των πρώτων βοηθειών στο παιδί σας και η άμεση αναζήτηση ιατρικής περίθαλψης αποτελούν επιτακτική ανάγκη.

Πληροφορίες προϊόντος

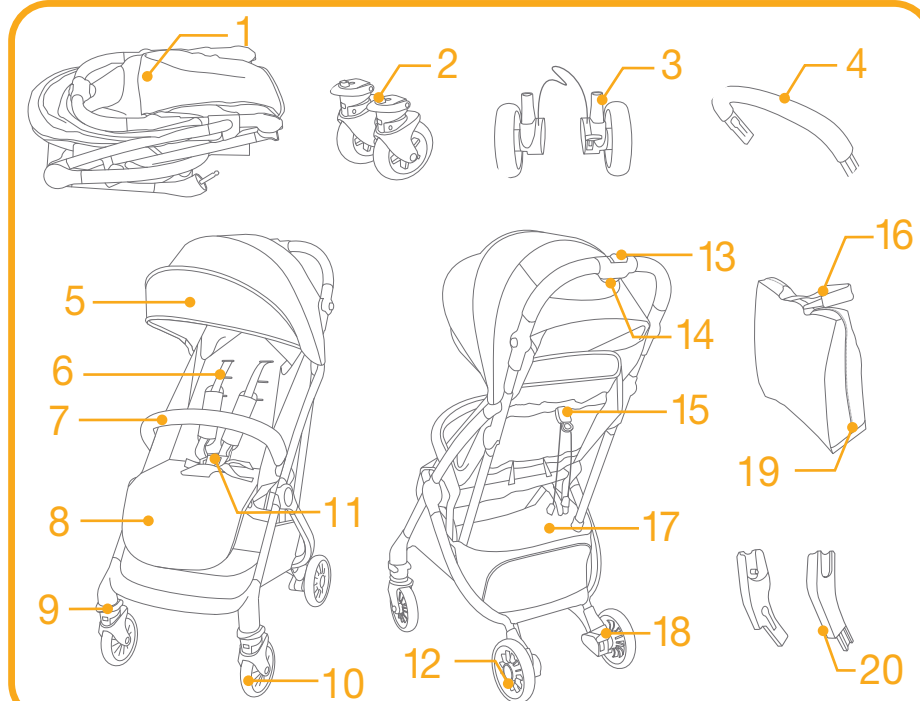
Διαβάστε όλες τις οδηγίες που περιέχονται σε αυτόν τον οδηγό, πριν χρησιμοποιήσετε αυτό το προϊόν. Εάν έχετε περαιτέρω απορίες, συμβουλευτείτε τον έμπορο λιανικής πώλησης. Ορισμένα χαρακτηριστικά ενδέχεται να διαφέρουν ανάλογα με το μοντέλο.

Προϊόν	Καρότσι Tourist
Κατάλληλο για	Παιδί που ζυγίζει λιγότερο από 15 κιλά (γέννηση - 36 μηνών)
Υλικά	Πλαστικά, μέταλλο, υφάσματα
Αριθμός ευρεσιτεχνίας	Διπλώματα ευρεσιτεχνίας σε εκκρεμότητα
Χώρα κατασκευής	Κίνα
Μάρκα	Joie
Ιστοσελίδα	www.joiebaby.com
Κατασκευαστής	Allison Baby UK Ltd.

Λίστα εξαρτημάτων

Πριν από τη συναρμολόγηση βεβαιωθείτε ότι όλα τα εξαρτήματα είναι διαθέσιμα. Εάν λείπει οποιοδήποτε εξάρτημα, παρακαλούμε επικοινωνήστε με το κατάστημα λιανικής πώλησης. Δεν απαιτούνται εργαλεία για τη συναρμολόγηση.

1 Πλαίσιο καροτσιού	12 Πίσω τροχός
2 Μπροστινός τροχός	13 Δευτερεύουσα ασφάλεια
3 Πίσω τροχός	14 Μοχλός κλεισίματος με ένα χέρι
4 Προστατευτική μπάρα	15 Ρυθμιστής πλάτης
5 Κουκούλα	16 Ιμάντας μεταφοράς
6 Ιμάντας ώμου	17 Καλάθι αποθήκευσης
7 Προστατευτική μπάρα	18 Μοχλός φρένου
8 Στήριγμα ποδιών	19 Τσάντα μεταφοράς
9 Κλείδωμα τροχών	20 Αντάπτορας
10 Μπροστινός τροχός	
11 Πόρπη	



Εξαρτήματα

(Ενδέχεται να μην περιλαμβάνονται)
Κάλυμμα βροχής

Τα εξαρτήματα ενδέχεται να πωλούνται ξεχωριστά ή να μην είναι διαθέσιμα ανάλογα με την περιοχή.



ΠΡΟΕΙΔΟΠΟΙΗΣΗ

- ! ΠΡΟΕΙΔΟΠΟΙΗΣΗ Χρησιμοποιήστε πάντα το σύστημα πρόσδεσης. Οι ζώνες ασφαλείας και τα συστήματα συγκράτησης πρέπει να χρησιμοποιούνται σωστά.
- ! ΠΡΟΕΙΔΟΠΟΙΗΣΗ Βεβαιωθείτε ότι έχουν ενεργοποιηθεί όλες οι διατάξεις ασφάλισης πριν από τη χρήση.
- ! ΠΡΟΕΙΔΟΠΟΙΗΣΗ Μην αφήνετε το παιδί σας να παίζει με αυτό το προϊόν.
- ! ΠΡΟΣΟΧΗ Βεβαιωθείτε ότι το σώμα του καροτσιού, το κάθισμα και τα εξαρτήματα στερέωσης του καθίσματος είναι σωστά τοποθετημένα πριν τη χρήση.
- ! Απαιτείται συναρμολόγηση από ενήλικο.
- ! Χρησιμοποιήστε το καροτσάκι αν το παιδί σας ζυγίζει λιγότερο από 15 κιλά. Κίνδυνος πρόκλησης βλάβης στο καρότσι, αν το παιδί ζυγίζει περισσότερο.
- ! Για να αποφύγετε επικίνδυνες, ασταθείς καταστάσεις, μην τοποθετείτε αντικείμενα βάρους άνω των 4,5 κιλών στο καλάθι αποθήκευσης.
- ! Μην αφήνετε ποτέ το παιδί σας χωρίς επιτήρηση. Φροντίστε να βλέπετε συνεχώς το παιδί ενώ βρίσκεται στο καρότσι.
- ! Χρησιμοποιείτε το καρότσι μόνο με ένα παιδί τη φορά. Μην τοποθετείτε πορτοφόλια, τσάντες, δέματα ή εξαρτήματα επάνω στη λαβή ή την κουκούλα.
- ! Εξαρτήματα που δεν έχουν εγκριθεί από τον κατασκευαστή δεν πρέπει να χρησιμοποιούνται. Πρέπει να χρησιμοποιούνται μόνο ανταλλακτικά που παρέχονται ή συνιστώνται από τον κατασκευαστή.
- ! Μην χρησιμοποιείτε ποτέ εξαρτήματα, μέρη ή ανταλλακτικά που δεν παράγονται ή δεν έχουν εγκριθεί από τον κατασκευαστή. Διαβάστε τις οδηγίες χρήσης προσεκτικά.
- ! Διαβάστε όλες τις οδηγίες σε αυτό το εγχειρίδιο πριν τη χρήση του προϊόντος. Φυλάξτε αυτό το εγχειρίδιο οδηγιών για μελλοντική χρήση. Σε περίπτωση που δεν ακολουθήσετε αυτές τις προειδοποιήσεις και οδηγίες, αυτό μπορεί να έχει ως αποτέλεσμα σοβαρό τραυματισμό ή ακόμη και θάνατο.
- ! Για να αποφύγετε σοβαρούς τραυματισμούς από πτώση ή ολίσθηση, χρησιμοποιείτε πάντα ζώνη ασφαλείας.

- ! Βεβαιωθείτε ότι το σώμα του παιδιού σας είναι μακριά από τα κινούμενα μέρη κατά τη ρύθμιση του καροτσιού.
- ! Βεβαιωθείτε ότι το καροτσάκι είναι πλήρως ανοικτό ή κλειστό πριν αφήσετε το παιδί κοντά στο καρότσι.
- ! Το παιδί μπορεί να γλιστρήσει στα ανοίγματα των ποδιών και να στραγγαλιστεί αν δεν χρησιμοποιούνται οι ιμάντες.
- ! Ποτέ μην χρησιμοποιείτε το καρότσι σε σκάλες ή κυλιόμενες σκάλες.
- ! Διατηρείτε μακριά από αντικείμενα υψηλής θερμοκρασίας, υγρά και ηλεκτρονικό εξοπλισμό.
- ! Μην αφήνετε ποτέ το παιδί σας να στέκεται όρθιο στο καρότσι ή να κάθεται στο καρότσι με το κεφάλι στραμμένο προς τα εμπρός τμήμα του καροτσιού.
- ! Μην χρησιμοποιείτε το καρότσι σε δρόμους, πλαγιές ή επικίνδυνες περιοχές.
- ! Για να αποφύγετε τον στραγγαλισμό, ΜΗΝ τοποθετείτε αντικείμενα με κορδόνια γύρω από το λαιμό του παιδιού σας, αναρτάτε κορδόνια πάνω από το προϊόν ή δένετε παιχνίδια με κορδόνια.
- ! Κάθε φορτίο στη λαβή ή/και στο πίσω μέρος της πλάτης ή/και στις πλευρές του καροτσιού επηρεάζει τη σταθερότητα του καροτσιού.
- ! ΜΗΝ σηκώνετε το καρότσι ενώ το παιδί είναι επάνω σε αυτό.
- ! ΜΗΝ χρησιμοποιείτε το καλάθι αποθήκευσης για να μεταφέρετε το παιδί.
- ! Για να αποτρέψετε κίνδυνο ανατροπής, μην αφήνετε ποτέ το παιδί να σκαρφαλώνει στο καρότσι. Βάζετε και βγάζετε το παιδί από το καρότσι εσείς.
- ! Για να αποφύγετε τραυματισμό των δακτύλων, πρέπει να προσέχετε όταν ανοίγετε και κλείνετε το καρότσι.
- ! Για την αποφυγή τραυματισμών απομακρύνετε το παιδί σας από το άνοιγμα και το κλείσιμο αυτού του προϊόντος.
- ! Για να διασφαλίσετε την ασφάλεια του παιδιού σας, βεβαιωθείτε ότι όλα τα μέρη έχουν συναρμολογηθεί και στερεωθεί σωστά πριν χρησιμοποιήσετε το καρότσι.

- ! Για να αποφύγετε κίνδυνο στραγγαλισμού, βεβαιωθείτε ότι το παιδί σας είναι σε απόσταση από την κουκούλα και το κάλυμμα βροχής.
- ! Ενεργοποιείτε πάντα τα φρένα κατά τη στάθμευση του καροτσιού.
- ! Διακόψτε τη χρήση του καροτσιού αν έχει υποστεί φθορά.
- ! Το καρότσι πρέπει να χρησιμοποιείται μόνο σε ταχύτητα περπατήματος. Αυτό το προϊόν δεν προορίζεται για χρήση κατά το τζόκινγκ.
- ! Για την αποφυγή ασφυξίας, αφαιρέστε την πλαστική σακούλα και τα υλικά συσκευασίας πριν τη χρήση του προϊόντος. Η πλαστική σακούλα και τα υλικά συσκευασίας θα πρέπει στη συνέχεια να φυλάσσονται μακριά από μωρά και παιδιά.
- ! Μην χρησιμοποιείτε το προϊόν αυτό όταν κάνετε τζόκινγκ.
- ! Για τα καρότσια που προορίζονται για χρήση από τη γέννηση συνιστάται η χρήση της πλέον οριζόντιας θέσης για τα νεογέννητα μωρά.
- ! Κατά την τοποθέτηση και την αφαίρεση του παιδιού πρέπει να ενεργοποιείται το φρένο.
- ! Το πορτ-μπεμπέ είναι κατάλληλο μόνο για παιδιά που δεν μπορούν να καθίσουν χωρίς βοήθεια, να γυρίσουν ή να ανασηκωθούν με τα χέρια και τα γόνατά τους. Μέγιστο βάρος παιδιού: 9 κιλά.
- ! Το πορτ-μπεμπέ ΔΕΝ πρέπει να χρησιμοποιείται για παρατεταμένο ύπνο.
- ! ΜΗΝ χρησιμοποιείτε ή προσθέτετε άλλο στρώμα εκτός από αυτό που παρέχεται με το πορτ-μπεμπέ.
- ! Τα πορτ-μπεμπέ που χρησιμοποιούνται σε συνδυασμό με ένα πλαίσιο δεν αντικαθιστούν μια κούνια ή ένα κρεβάτι. Εάν το παιδί σας πρέπει να κοιμηθεί, τότε θα πρέπει να τοποθετηθεί σε κατάλληλο πορτ-μπεμπέ, κούνια ή κρεβάτι.
- ! Όταν δεν τον χρησιμοποιείτε, φυλάσσετε τον ιμάντα μεταφοράς στο πίσω μέρος της τσέπης του στηρίγματος ποδιών.

Συναρμολόγηση καροτσιού

(Ανατρέξτε στις εικόνες στις σελίδες 1-12)

Διαβάστε όλες τις οδηγίες σε αυτό το εγχειρίδιο πριν τη συναρμολόγηση και χρήση του προϊόντος.

Άνοιγμα καροτσιού

Δείτε τις εικόνες ① - ④

! Βεβαιωθείτε ότι το καρότσι είναι σωστά ανοιγμένο πριν το χρησιμοποιήσετε.

Συναρμολόγηση & αφαίρεση μπροστινού τροχού

Δείτε τις εικόνες ⑤ - ⑥

Συναρμολόγηση & αφαίρεση πίσω τροχού

Δείτε τις εικόνες ⑦ - ⑩

! Οι πίσω τροχοί μπορούν να αποσυναρμολογηθούν πατώντας τα κουμπιά απελευθέρωσης. ⑨

! Τοποθετήστε το καλάθι αποθήκευσης γύρω από το πλαίσιο και τον άξονα του φρένου και στη συνέχεια ασφαλίστε το στη θέση του. ⑩

Συναρμολόγηση & αφαίρεση προστατευτικής μπάρας

Δείτε τις εικόνες ⑪ - ⑬

Το πλήρως συναρμολογημένο καρότσι εμφανίζεται στην εικόνα ⑭

Χρήση καροτσιού

Χρήση της πόρπης

Δείτε τις εικόνες 15 - 16

Άνοιγμα πόρπης

Πιέστε το κεντρικό κουμπί για να ανοίξετε την πόρπη. 15

Κλείδωμα πόρπης

Ταιριάζτε τον ιμάντα μέσης με τον ιμάντα ώμων 16 - 1 και κουμπώστε την πόρπη. 16 - 2 Ένας ήχος “κλικ” σημαίνει ότι η πόρπη έχει ασφαλίσει σωστά. 16 - 3

! Για να αποφύγετε σοβαρούς τραυματισμούς από πτώση ή ολίσθηση, χρησιμοποιείτε πάντα τους ιμάντες.

! Βεβαιωθείτε ότι το παιδί σας είναι δεμένο σωστά. Βεβαιωθείτε ότι ο χώρος μεταξύ του παιδιού και του ιμάντα ώμου είναι περίπου το πάχος ενός χεριού.

! Μην σταυρώνετε τους ιμάντες ώμου. Αυτό θα ασκήσει πίεση στον αυχένα του παιδιού.

Χρήση των ιμάντων ώμων και μέσης

Δείτε τις εικόνες 17 - 20

! Για να προστατέψετε το παιδί σας από πτώσεις, αφού το τοποθετήσετε στο κάθισμα, ελέγξτε εάν οι ιμάντες ώμων και μέσης έχουν ρυθμιστεί σωστά.

17 - 1 Άγκιστρο ιμάντα ώμου A

17 - 2 Ρύθμιση μήκους

Για μεγαλύτερα παιδιά, χρησιμοποιήστε το άγκιστρο ιμάντα ώμου και τις επάνω υποδοχές ιμάντα. Για μικρότερα παιδιά, χρησιμοποιήστε το άγκιστρο ιμάντα ώμου και τις κάτω υποδοχές ιμάντα.

Για να ρυθμίσετε τη θέση του ιμάντα ώμων, ελευθερώστε τον ιμάντα από την άνω θέση αγκύρωσης. 18 - 1 Στη συνέχεια, τροφοδοτήστε τον ιμάντα μέχρι το μπροστινό μέρος του καθίσματος, ρυθμίστε το ύψος όπως απαιτείται και περάστε

τον ξανά πίσω. 18 - 2

Βεβαιωθείτε ότι ο ιμάντας ώμου έχει τοποθετηθεί μέσω της άνω θέσης αγκύρωσης. 19

! Μόλις ρυθμιστεί το ύψος του ιμάντα ώμων, ο ιμάντας ΠΡΕ-ΠΕΙ επίσης να στερεωθεί μέσω της υψηλότερης υποδοχής στην πλάτη του καθίσματος.

Χρησιμοποιήστε το ρυθμιστικό για να προσαρμόσετε το μήκος του ιμάντα. 20 - 1

Πατήστε το κουμπί 20 - 2 ρυθμίζοντας τον ιμάντα μέσης στο σωστό μήκος. 20 - 3

Ρύθμιση πλάτης

Δείτε τις εικόνες 21 - 22

Κατέβασμα πλάτης

Τραβήξτε τη λαβή για να κατεβάσετε την πλάτη. 21

! Κρατήστε την πλάτη με το άλλο χέρι εάν ένα παιδί είναι ήδη καθισμένο στο καρότσι.

Ανέβασμα πλάτης

Κρατήστε το αριστερό και το δεξί κορδόνι και σπρώξτε προς τα πάνω τον ρυθμιστή κλίσης ανεβάσετε για να σηκώσετε την πλάτη. 22

! Βεβαιωθείτε ότι η κλίση έχει ρυθμιστεί σωστά.

Ρύθμιση στηρίγματος ποδιών

Δείτε τις εικόνες 23

Το στήριγμα ποδιών έχει 2 θέσεις.

Ανέβασμα στηρίγματος ποδιών

Για να ανεβάσετε το στήριγμα ποδιών, απλώς ωθήστε το προς τα πάνω. Ένας ήχος “κλικ” σημαίνει ότι το στήριγμα έχει ασφαλίσει σωστά.

Κατέβασμα στηρίγματος ποδιών

Πατήστε τα κουμπιά ρύθμισης και στις δύο πλευρές του στηρίγματος ποδιών 23 - 1 και περιστρέψτε το στήριγμα προς τα κάτω. 23 - 2

Χρήση της ασφάλειας μπροστινών τροχών

δείτε τις εικόνες 24

Ανασηκώστε τις ασφάλειες των μπροστινών τροχών για να εμποδίσετε την περιστροφή των τροχών και να διατηρήσετε την κατεύθυνση κίνησης. 24

Συμβουλή Συνιστάται η χρήση των ασφαλειών των μπροστινών τροχών σε ανώμαλες επιφάνειες.

Χρήση του φρένου

δείτε τις εικόνες 25 - 26

Για να ασφαλίσετε τους τροχούς, πιέστε τον μοχλό φρένων προς τα κάτω. 25

Για να απελευθερώσετε τροχούς, απλά ανασηκώστε τον μοχλό φρένων. 26

Συμβουλή Ενεργοποιείτε πάντα το φρένο όταν το καρότσι δεν κινείται.

Χρήση της κουκούλας

δείτε τις εικόνες 27

Η κουκούλα μπορεί να ανοίξει ή να κλείσει τραβώντας την προς τα εμπρός ή προς τα πίσω. 27

Χρήση των καλυμμάτων των ιμάντων

Τα καλύμματα των ιμάντων ώμων και του ιμάντα καβάλου μπορούν να αφαιρεθούν. Για να επανατοποθετήσετε τα καλύμματα, ακολουθήστε την ίδια διαδικασία με αντίστροφη σειρά.

Ρύθμιση λαβής

δείτε τις εικόνες 28

Η λαβή μπορεί να ρυθμιστεί σε 3 θέσεις.

Για να ρυθμίσετε τη λαβή, πιέστε ταυτόχρονα τα κουμπιά ρύθμισης αριστερά και δεξιά της λαβής και περιστρέψτε τη λαβή στην επιθυμητή θέση.

Αναδίπλωση καροτσιού

δείτε τις εικόνες 29 - 36

! Κλείστε την κουκούλα πριν κλείσετε το καρότσι.

Πιέστε την δευτερεύουσα ασφάλεια 29 - 1 και πιέστε το κουμπί κλεισίματος με ένα χέρι 29 - 2. Σπρώξτε το καρότσι προς τα εμπρός για να το κλείσετε.

! Τοποθετήστε το στην τσάντα μεταφοράς και πάρτε το μαζί σας όπου θέλετε. 36

Χρήση των εξαρτημάτων

Τα εξαρτήματα ενδέχεται να πωλούνται ξεχωριστά ή να μην είναι διαθέσιμα ανάλογα με την περιοχή.

Χρήση με πορτ μπεμπέ

δείτε τις εικόνες 37 - 46

Κατά τη χρήση του καροτσιού με τα πορτ μπεμπέ i-Level, i-Snug, gemm, i-Gemm ή Rambler, ανατρέξτε στις παρακάτω οδηγίες.

! Εάν αντιμετωπίζετε οποιαδήποτε προβλήματα σχετικά με τη χρήση του πορτ-μπεμπέ, ανατρέξτε στο σχετικό εγχειρίδιο οδηγιών.

! Μην κλείνετε το καρότσι όταν είναι τοποθετημένο το πορτ-μπεμπέ.

Χρήση του καλύμματος βροχής

δείτε τις εικόνες 47

Για να συναρμολογήσετε το κάλυμμα βροχής, τοποθετήστε το επάνω από το καρότσι και, στη συνέχεια, στερεώστε το με τους συνδέσμους αγκίστρου και βρόχου.

! Πριν χρησιμοποιήσετε το κάλυμμα βροχής, βεβαιωθείτε ότι η πλάτη του καθίσματος έχει ρυθμιστεί στη χαμηλότερη θέση και ότι το σύστημα συγκράτησης για βρέφη είναι στερεωμένο.

! Όταν χρησιμοποιείτε το κάλυμμα βροχής, ελέγχετε πάντα τον αερισμό του καροτσιού.

! Όταν δεν χρησιμοποιείται, ελέγξτε ότι το κάλυμμα βροχής είναι καθαρό και στεγνό πριν το διπλώσετε.

- ! Μην κλείνετε το καρότσι όταν είναι τοποθετημένο το κάλυμμα βροχής.
- ! Μην τοποθετείτε το παιδί σας στο καρότσι με το κάλυμμα βροχής τοποθετημένο αν ο καιρός είναι ζεστός.

Αφαίρεση μαλακών στοιχείων

Δείτε τις εικόνες 48 - 62

1. Ακολουθήστε τα βήματα 48 - 62 για να αφαιρέσετε τα υφασμάτινα στοιχεία.
 - ! Φυλάξτε προσεκτικά το σύρμα της κουκούλας μετά την αφαίρεσή του και τοποθετήστε το ξανά όταν τοποθετείτε την κουκούλα.
2. Για να προσαρτήσετε πάλι τα μαλακά στοιχεία επαναλάβετε τα παραπάνω βήματα με αντίστροφη σειρά.

Φροντίδα και συντήρηση

Δείτε τις εικόνες 63

- ! Το αφαιρούμενο μαξιλάρι μπορεί να πλυθεί με κρύο νερό και να στεγνώσει στον αέρα. Μην χρησιμοποιείτε λευκαντικό. Ανατρέξτε στην ετικέτα φροντίδας για οδηγίες σχετικά με τον καθαρισμό των υφασμάτων των τμημάτων του καροτσιού.
- ! Για να καθαρίσετε το πλαίσιο του καροτσιού, χρησιμοποιήστε οικιακό σαπούνι και ζεστό νερό. Μην χρησιμοποιείτε λευκαντικό ή απορρυπαντικό. Περιστασιακά, σκουπίζετε τα πλαστικά μέρη με ένα μαλακό υγρό πανί. Στεγνώνετε πάντα τα μεταλλικά μέρη για να αποτρέψετε τη δημιουργία σκουριάς εάν το καρότσι έρθει σε επαφή με το νερό.
- ! Ελέγχετε περιοδικά το καρότσι για χαλαρές βίδες, φθαρμένα εξαρτήματα, σχισμένο υλικό ή φθορές. Αντικαταστήστε ή επισκευάστε τα εξαρτήματα όπως απαιτείται.
- ! Η υπερβολική έκθεση στον ήλιο ή τη θερμότητα μπορεί να προκαλέσει ξεθώριασμα ή παραμόρφωση των εξαρτημάτων.
- ! Εάν το καρότσι βραχεί, ανοίξτε την κουκούλα και αφήστε το να στεγνώσει καλά πριν το αποθηκεύσετε.

- ! Εάν οι τροχοί τρίζουν, χρησιμοποιήστε ένα ελαφρύ λάδι (π.χ. σπρέι πυριτίου, αντισκωριακό λάδι ή λάδι ραπτομηχανής). Είναι σημαντικό να εισέλθει το λάδι στο συγκρότημα άξονα και τροχού. 63
- ! Όταν χρησιμοποιείτε το καροτσάκι σας στην παραλία, καθαρίστε πλήρως το καροτσάκι σας μετά τη χρήση για να αφαιρέσετε άμμο και αλάτι από τους μηχανισμούς και τα συγκροτήματα τροχών.

DA Velkommen til Joie™

Tillykke og velkommen til Joie-familien! Vi er så glade for at være en del af din rejse med den lille. Når du er på tur med din Joie Tourist™, bruger du en klapvogn i høj kvalitet som er fuldt certificeret og godkendt iht. de europæiske sikkerhedsstandarder EN 1888-1:2018. Dette produkt må bruges til børn op til 15 kg. Læs denne vejledning omhyggeligt og følg alle trinene så du sikrer, at dit barn har det behageligt og er ordentligt beskyttet under turen.

Vigtigt - læs omhyggeligt og gem til senere brug. Besøg os på joiebaby.com, hvor du kan downloade vejledninger og se flere spændende Joie-produkter! Besøg vores websted på joiebaby.com for at få oplysninger om garanti

Indhold

Figur	1-12
ADVARSEL	129
Sådan samles klapvognen	132
Åbn klapvognen	132
Monter og afmonter forhjul	132
Monter og afmonter baghjul	132
Monter og afmonter armstøtte	132

Brug af klapvognen	133
Brug af spændet	133
Brug af skulder- & taljeseler	133
Justering af ryglænet	134
Justering af lægstøtten	134
Brug af forhjulslåsen	135
Brug af bremsen	135
Brug af kalechen	135
Brug af overdækningen til skulderelemerne og skridtselen	135
Justering af håndtaget	135
Sådan foldes klapvognen sammen	136
Brug af tilbehør	136
Brug med seler til spædbørn eller babylift	136
Brug af regnslaget	136
Sådan tages de bløde dele af	137
Pleje og vedligeholdelse	137

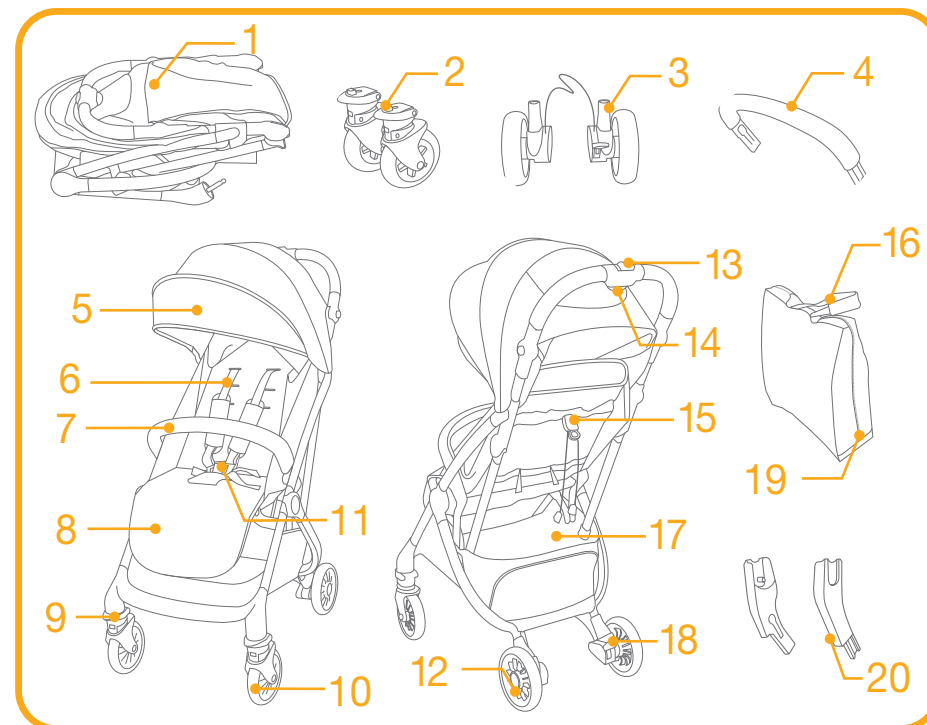
I tilfælde af en nødsituation

I tilfælde af en nødsituation eller ulykke er det vigtigst, at dit barn straks får førstehjælp og lægebehandling.

Produktinformation

Læs alle instruktionerne i denne vejledning, inden produktet tages i brug. Hvis du har yderligere spørgsmål, bedes du kontakte din forhandler. Nogle funktioner kan være forskellige fra model til model.

Produkt	Tourist klapvogn
Egnet til	børn under 15 kg (fra fødsel - 36 måneder)
Materialer	Plastik, metal, stof
Patentnummer	Afventer patent
Fremstillet i	Kina
Varemærket	Joie
Website	www.joiebaby.com
Producent	Allison Baby UK Ltd.



Liste over dele

Kontroller, at alle delene følger med, inden du begynder at samle produktet. Hvis der mangler nogen dele, bedes du venligst kontakte din lokale forhandler. Der skal ikke bruges værktøj til at samle produktet.

1 Klapvognsstel	12 Baghjul
2 Forhjul	13 Sekundær lås
3 Baghjul	14 Håndtag til foldning med ét greb
4 Armstøtte	15 Justering af ryglæn
5 Kaleche	16 Bærerem
6 Skuldersele	17 Opbevaringskurv
7 Armstøtte	18 Bremsegreb
8 Lægstøtten	19 Bæretaske
9 Hjulslås	20 Adapter
10 Forhjul	
11 Spænde	

Tilbehør

(medfølger muligvis ikke)

Regnslag

Tilbehør sælges muligvis separat og er muligvis ikke tilgængeligt i dit område.



ADVARSEL

- ! ADVARSEL Brug altid selen. Sikkerhedsseler og fastspændingssystemer skal bruges korrekt.
- ! ADVARSEL Sikre, at alle låseanordninger er låst før brug.
- ! ADVARSEL Lad ikke barnet lege med dette produkt.
- ! ADVARSEL Tjek, at barnevognskassens, klapvognssædets eller autostolens fastgørelsesmekanisme er korrekt aktiveret, før brug.
- ! Kræver samling af en voksen.
- ! Brug klapvognen til børn op til 15 kg. Tungere børn kan beskadige klapvognen.
- ! For at forhindre en farlig, ustabil tilstand, må du ikke anbringe mere end 4,5 kg i opbevaringskurven.
- ! Efterlad aldrig barnet uden opsyn. Vær altid i stand til at holde øje med barnet i klapvognen.
- ! Brug kun klapvognen med ét barn ad gangen. Anbring aldrig punge, indkøbsposer, pakker eller tilbehør på håndtaget eller kalechen.
- ! Brug ikke tilbehør, der ikke er godkendt af producenten. Brug kun reservedele, som leveres eller er godkendt af fabrikanten.
- ! Brug aldrig tilbehør, dele eller komponenter, der ikke er produceret eller godkendt af producenten. Læs brugsanvisningen omhyggeligt.
- ! Læs alle instrukserne i brugsanvisningen, før du bruger produktet. Gem brugsanvisningen til senere brug. Manglende overholdelse af disse advarsler og instruktioner kan medføre alvorlige kvæstelser eller dødsfald.
- ! For at undgå, at barnet kommer til skade ved at falde eller glide ud, skal du altid bruge sikkerhedssele.
- ! Sørg for at dit barns krop går fri fra de bevægelige dele, når du justerer klapvognen.
- ! Vær sikker på klapvognen er helt åben eller sammenfoldet,

før barnet kommer i nærheden af klapvognen.

- ! Barnet kan få benene ind i åbninger eller blive kvalt, hvis selen ikke anvendes.
- ! Brug aldrig klapvognen på trapper eller rulletrapper.
- ! Hold produktet væk fra varme genstande, væsker og elektronik.
- ! Lad aldrig barnet stå op eller sidde omvendt i klapvognen.
- ! Efterlad aldrig klapvognen på vejen, på skråninger eller andre farlige steder.
- ! For at undgå kvælning må DU IKKE lægge noget rundt om barnets hals, ophænge snore fra dette produkt eller binde snore til legetøj.
- ! Enhver vægt, der anbringes på håndtaget, bag på ryglænet eller på siderne af klapvognen vil påvirke stabiliteten.
- ! Løft IKKE klapvognen, mens barnet sidder i den.
- ! Brug IKKE opbevaringskurven som barnelift.
- ! For at undgå at klapvognen vipper, må du aldrig lade barnet kravle op i den. Løft altid barnet ind og ud af klapvognen.
- ! For at undgå klemte fingre, skal du altid være forsigtig, når du falder klapvognen sammen eller ud.
- ! For at undgå skader, skal børn altid holdes væk fra produktet, når du folder det ud eller sammen.
- ! Af hensyn til barnets sikkerhed skal du altid sikre dig, at alle dele er samlet og monteret korrekt, før du bruger klapvognen.
- ! For at undgå kvælning skal du sikre dig, at barnet ikke sidder for tæt op i kalechen og regnslaget.
- ! Slå altid bremserne til, når du parkerer klapvognen.
- ! Stop med at bruge klapvognen, hvis den er beskadiget eller ødelagt.
- ! Hold barnet væk fra dette produkt under udfoldning og sammenklapning, for at undgå at barnet kommer til skade.

- ! For at undgå kvælning skal plastikposen og alle emballagematerialer fjernes, inden produktet tages i brug. Plastikposen og emballagen skal derefter holdes væk fra babyer og børn.
- ! Dette produkt er ikke egnet til løb eller rulleskøjteløb.
- ! Det anbefales at bruge en særligt egnet skråstol i tilbagelænet tilstand til babyer.
- ! Parkeringsbremsen skal slås til, når du skal anbringe barnet eller tage det op.
- ! En babylift er kun beregnet til et barn, der ikke selv kan sidde op, rulle over, eller skubbe sig selv op med hænder og knæ. Barnets maksimale vægt: 9 kg
- ! En babylift er IKKE beregnet til at sove i i længere tid.
- ! Der må IKKE bruges eller lægges en anden madras i babyliften end den, der følger med.
- ! Dette produkt kan ikke, sammen med autostolen, erstatte en barneseng eller en seng til spædbørn. Hvis barnet skal sove, bør du anbringe det i en passende barnevognskasse, barneseng eller seng.
- ! Opbevar bærestroppen i lommen bag på ben støtten når den ikke bruges.

Sådan samles klapvognen

(Se venligst billederne på 1-12)

Læs alle instruktionerne i denne vejledning, inden du samler og tager produktet i brug.

Åbn klapvogn

se billederne ① - ④

! Kontroller at klapvognen er foldet helt ud, før du går videre.

Sådan monteres og afmonteres forhjulene

se billederne ⑤ - ⑥

Sådan monteres og afmonteres baghjulene

se billederne ⑦ - ⑩

! Baghjulene kan skilles ad ved at trykke på snap-knapperne. ⑨

! Vikl opbevaringskurven omkring rammen og bremsebøjlen, og klik den på plads. ⑩

Sådan monteres og afmonteres armstøtten

se billederne ⑪ - ⑬

Den færdigsamlede klapvogn er vist som ⑭

Sådan bruges klapvognen

Brug spændet

se billederne 15 - 16

Spænd spændet op

Tryk på midterknappen for at løsne spændet. 15

Lås spændet

Tilpas taljebæltespændet til skulderspændet 16 - 1, og klik det ind i midterspændet. 16 - 2 Et "Klik" betyder, at låsen er låst. 16 - 3

- ! For at undgå, at barnet kommer til skade ved at falde eller glide ud, skal du altid bruge selen til barnet.
- ! Sørg for at dit barn sidder godt fastspændt. Afstanden mellem barnet og skulderselerne skal være ca. som tykkelsen af en hånd.
- ! Kryds ikke skulderremmene. Dette vil medføre pres på barnets hals.

Brug skulder- og taljeseler

se billederne 17 - 20

! Når barnet sidder i autostolen, skal du sørge for, at skulder- og taljeselerne er i den korrekte højde og længde, så barnet ikke kan falde ud.

17 - 1 Fastgørelsespunkt A til skulderselen

17 - 2 Glidejustering

Større børn skal bruge fastgørelsespunkt A til skulderselen og den højeste skulderplacering. Mindre børn skal bruge fastgørelsespunkt A til skulderselen og lavere skulderplacering.

For at justere skulderstroppen skal du dreje seleremmen fra den øverste ankerposition . 18 - 1 Derefter føres remmen frem til forsiden af sædet. Juster højden efter behov og før den tilbage gennem. 18 - 2

Sørg for at skulderstroppen nu er placeret tilbage gennem topankerpositionen 19

! Når skulderstroppens højde er indstillet, SKAL remmen også fastgøres gennem den øverste åbning i ryglænet.

Brug glidejusteringen til at ændre selens længde. 20 - 1

Tryk på knappen 20 - 2, mens taljeselen trækkes til den korrekte længde. 20 - 3

Juster ryglænet

se billederne 21 - 22

Læg ryglænet tilbage

Træk i tappen for, at lægge ryglænet tilbage. 21

! Hold på ryglænet med den anden hånd, hvis der sidder et barn i klapvognen.

Hæv ryglænet

Hold i både venstre og højre strop, og træk vinkeljusteringselementet op, for at hæve ryglænet. 22

! Indstil ryglænet i en passende vinkel.

Justere lægstøtten

se billederne 23

Lægstøtten har 2 indstillinger.

Hæv lægstøtten

Du kan hæve lægstøtten ved blot at skubbe den opad. Der lyder et "klik", når den er låst på plads.

Sænk lægstøtten

Tryk på justeringsknapperne på begge sider af lægstøtten 23 - 1, og drej lægstøtten nedad. 23 - 2

Brug forhjulslåsen

se billederne 24

Skub forreste hjullås op for at fastholde retningen. 24

Tip Det anbefales at bruge hjullåsen på ujævne overflader.

Brug af bremsen

se billederne 25 - 26

Træd på bremsepedalen, for at låse hjulene. 25

For at låse hjulene op, skal du løfte bremsepedalen op. 26

Tip Lås altid hjulene, når du ikke kører med klapvognen.

Brug kalechen

se billederne 27

Kalechen kan åbnes og foldes sammen, ved at trække den frem og tilbage. 27

Brug af overdækning til skulderselerne og skridtselen

Beslagene til skulderselerne eller skridtselen kan tages af selen. Beslaget sættes på skulderselerne eller skridtselen, ved at følge ovenstående trin i omvendt rækkefølge.

Justering af håndtaget

se billederne 28

Håndtaget har 3 indstillinger.

For at justere håndtaget, skal du trykke venstre og højre justeringsknap ned på samme tid, og drej håndtaget til den ønskede indstilling.

Sådan foldes klapvognen sammen

se billederne 29 - 36

! Kalechen skal foldes sammen, inden klapvognen foldes sammen.

Tryk på den anden lås 29 - 1 og på knappen til foldning med en hånd 29 - 2. Tryk klapvognen frem, for at folde den sammen.

! Grib fat i bæretasken, hvorefter klapvognen følger efter. 36

Brug af tilbehør

Tilbehør sælges muligvis separat og er muligvis ikke tilgængeligt i dit område.

Brug med seler til spædbørn eller babylift

se billederne 37 - 46

Hvis produktet bruges med en Joie autostol i-Level, i-Snug, gemm, i-Gemm eller en Ramble babylift, bedes du venligst følge følgende vejledninger.

! Hvis du har spørgsmål om brug af autostolen eller babyliftten, bedes du venligst se brugervejledningen til disse.

! Klapvognen må ikke foldes sammen, når autostolen eller babyliftten stadig er i klapvognen.

Brug af regnslaget

se billederne 47

For at sætte regnslaget på, skal du trække det over klapvognen og sæt derefter stropperne og krogene på fastgørelsesanordningerne på regnslaget.

! Inden regnslaget bruges, skal du sørge for, at ryglænet er sænket helt ned, og at autostolen er spændt fast.

! Når regnslaget bruges, skal du altid sørge for at der er ventilation.

! Inden regnslaget pakkes sammen, skal du sørge for at det er blevet rengjort og er ordentligt tørt.

! Fold ikke klapvognen sammen, når regnslaget sidder på.

! Undgå, at barnet sidder i klapvognen med regnslaget på i varmt vejr.

Sådan tages de bløde dele af

se billederne 48 - 62

1. Følg trinene 48 - 62 for, at tage de bløde dele af.

! Pas venligst på kablet til kalechen, når det tages af. Den skal bruges til, at samle kalechen.

2. For at sætte de bløde dele på igen skal du gentage ovenstående trin i omvendt rækkefølge.

Pleje og vedligeholdelse

se billederne 63

! Aftageligt sædepude, der kan vaskes i kold vand og lufttørres. Den må ikke vaskes med blegemiddel. Se venligst rengøringsinstruktionerne på stofdelene på klapvognen.

! Stellet må kun rengøres med almindeligt sæbevand. Det må ikke rengøres med blegemiddel eller rengøringsmidler. Tør regelmæssigt plastikdelene af med en fugtig klud. Tør altid metaldelene af, så de ikke ruste, hvis klapvognen kommer i kontakt med vand.

! Kontroller regelmæssigt klapvognen for løse skruer, slidte dele, ødelagt stof eller syninger. Udskift eller reparer delene efter behov.

! Hvis klapvognen udsættes for sol eller varme i længere tid, kan nogle af delene blive slidt eller skæve.

! Hvis klapvognen bliver våd, skal du åbne kalechen, og lad den tørre grundigt inden den gemmes væk.

! Hvis hjulene piber, skal de smøres med en let olie (fx silikonspray, rustfrit olie eller symaskineolie) Det er vigtigt at få olien ind i akslen og hjulsamlingen. 63

! Hvis klapstolen bruges på en strand, skal den rengøres grundigt efter brug. Fjern alt sand og salt på de mekaniske dele og på hjulsamlingerne.

RU Вас приветствует компания Joie™

Поздравляем — вы стали частью семьи Joie! Мы рады отправиться в путь вместе с вами и вашим малышом. Joie Tourist™ — это высококачественная коляска, сертифицированная по европейскому стандарту безопасности EN 1888-1:2018. Данная коляска подходит для детей весом до 15 кг. Внимательно прочтите настоящее руководство и выполняйте все рекомендации, чтобы обеспечить удобство в поездке и максимальную защиту ребенка.

ВАЖНО! Сохраните настоящее руководство для использования в будущем.

Скачать руководства и ознакомиться с другой замечательной продукцией Joie можно на веб-сайте joiebaby.com.

Сведения о гарантии опубликованы на веб-сайте joiebaby.com

Содержание

Рисунки	1-12
ПРЕДУПРЕЖДЕНИЯ	143
Сборка коляски	146
Раскладывание коляски	146
Установка и снятие передних колес	146
Установка и снятие задних колес	146
Установка и снятие поручня	146

Использование коляски	147
Использование пряжки	147
Использование плечевых и поясных ремней	147
Регулировка положения спинки	148
Регулировка положения опоры для ног	148
Использование фиксаторов передних колес	149
Использование тормоза	149
Использование козырька	149
Использование накладок для плечевых ремней и пахового ремня	149
Регулировка положения рукоятки	149
Складывание коляски	150
Использование принадлежностей	150
Использование с удерживающей системой для новорожденных или переносной люлькой	150
Использование дождевика	150
Снятие тканевых деталей	151
Обслуживание и уход за изделием	151

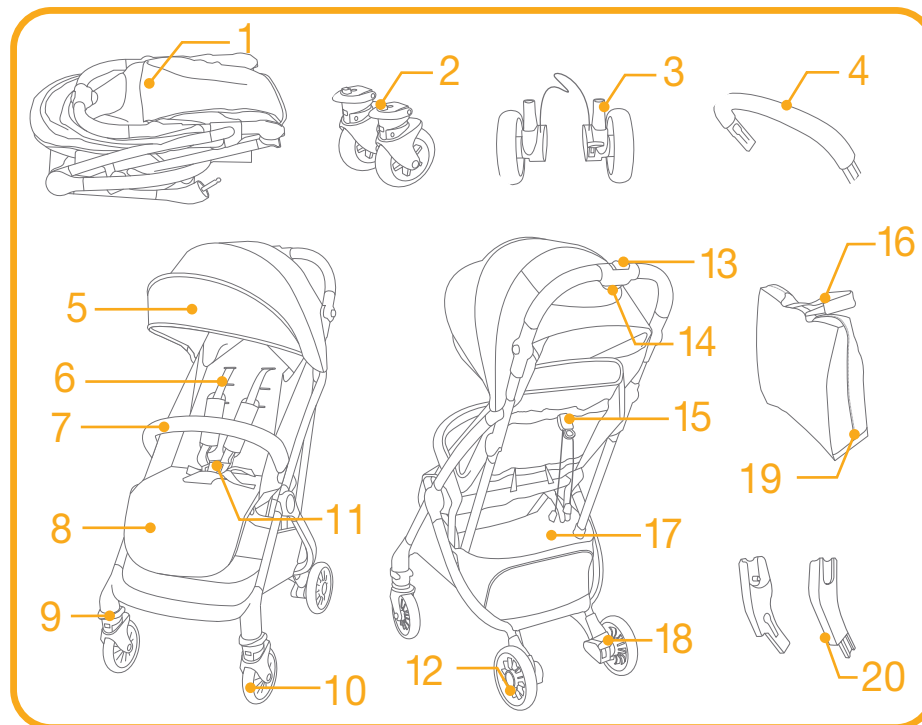
Чрезвычайные ситуации

В случае возникновения чрезвычайного происшествия или аварийной ситуации следует незамедлительно оказать ребенку первую помощь и обратиться к врачу.

Информация об изделии

Перед использованием данного изделия прочтите все инструкции в настоящем руководстве. С вопросами обращайтесь в магазин, где было приобретено изделие. Некоторые элементы могут отличаться у различных моделей.

Изделие:	коляска Tourist
Предназначено для	детей весом до 15 кг (с рождения до 36 месяцев)
Материалы:	пластик, металл, ткань
Номер патента:	патенты оформляются
Страна производства:	КНР
Марка:	Joie
Веб-сайт:	www.joiebaby.com
Изготовитель:	Allison Baby UK Ltd.



Комплектность

Перед сборкой данного изделия проверьте наличие всех деталей. В случае отсутствия любых деталей обратитесь в магазин, где было приобретено данное изделие. Для сборки не требуются инструменты.

1 Рама коляски	12 Задние колеса
2 Передние колеса	13 Дополнительный фиксатор
3 Задние колеса	14 Рукоятка для складывания коляски одной рукой
4 Поручень	15 Регулятор наклона спинки
5 Козырек	16 Ремень для переноски
6 Плечевые ремни	17 Вещевая корзина
7 Поручень	18 Педаль тормоза
8 Опора для ног	19 Сумка для переноски
9 Фиксатор переднего колеса	20 Адаптер
10 Передние колеса	
11 Пряжка	

Принадлежности

(могут не входить в комплект поставки)

Дождевик

Принадлежности могут продаваться отдельно или не предлагаться в некоторых регионах.



ПРЕДУПРЕЖДЕНИЯ

- ! **ВНИМАНИЕ!** Всегда используйте удерживающую систему. Необходимо надлежащим образом использовать ремни безопасности и удерживающую систему.
- ! **ВНИМАНИЕ!** Прежде чем использовать коляску, убедитесь, что задействованы все фиксаторы.
- ! **ВНИМАНИЕ!** Не позволяйте ребенку играть с данным изделием.
- ! **ВНИМАНИЕ!** Перед использованием коляски убедитесь, что все крепежные устройства на коляске, сидении или автокресле задействованы надлежащим образом.
- ! Сборку должны осуществлять взрослые.
- ! В коляске допускается перевозить детей весом не более 15 кг. Перевозка в коляске детей большего веса может привести к ее повреждению.
- ! Во избежание опасного опрокидывания коляски не помещайте в вещевую корзину предметы весом более 4,5 кг.
- ! Категорически запрещается оставлять ребенка без присмотра. Ребенок, находящийся в коляске, должен быть всегда под присмотром.
- ! В коляске допускается перевозить только одного ребенка. Запрещается помещать на рукоятку и козырек кошельки, сумки, свертки и принадлежности.
- ! Не разрешается использовать принадлежности, не одобренные производителем коляски. Допускается использовать только запасные части, поставляемые или рекомендованные производителем коляски.
- ! Категорически запрещается использовать принадлежности, детали и компоненты, не произведенные и не утвержденные производителем данного изделия. Пожалуйста, внимательно прочтите настоящее руководство по эксплуатации.
- ! Перед использованием данного изделия прочтите все инструкции в настоящем руководстве. Сохраните настоящее руководство по эксплуатации для использования в будущем. Несоблюдение этих предупреждений и инструкций может привести к причинению серьезного вреда здоровью ребенка или летальному исходу.
- ! Во избежание причинения серьезного вреда здоровью ребенка в результате падения или выскальзывания из коляски обязательно используйте ремни безопасности.
- ! Во время регулировки коляски тело ребенка не должно соприкасаться с какими бы то ни было подвижными деталями.
- ! Не разрешайте ребенку подходить к коляске, если она не полностью разложена или сложена.
- ! Если ребенок не пристегнут ремнем, он может выскользнуть через нижнюю часть коляски, что может привести к удушью.
- ! Категорически запрещается использовать коляску на лестницах и эскалаторах.
- ! Коляску необходимо держать вдали от горячих предметов, жидкостей и электронных приборов.
- ! Никогда не разрешайте ребенку стоять на коляске, а также сидеть на коляске лицом к рукоятке.
- ! Категорически запрещается помещать коляску на дороги, откосы и в другие опасные места.
- ! Во избежание удушья ЗАПРЕЩАЕТСЯ помещать предметы с лентами и веревками вокруг шеи ребенка, свешивать ленты и веревки с коляски, а также прикреплять веревки и ленты к игрушкам.
- ! Прикрепление любого груза к рукоятке, к спинке или боковым частям коляски приведет к нарушению устойчивости коляски.
- ! ЗАПРЕЩАЕТСЯ поднимать коляску с находящимся в ней ребенком.
- ! ЗАПРЕЩАЕТСЯ помещать ребенка в вещевую корзину.
- ! Во избежание опрокидывания не позволяйте ребенку карабкаться по коляске. Усаживать и вынимать ребенка из коляски должен взрослый.
- ! Во избежание зажатия соблюдайте осторожность при складывании и раскладывании коляски.
- ! Во избежание причинения вреда здоровью ребенка не складывайте и не раскладывайте коляску вблизи ребенка.

- ! С целью обеспечения безопасности ребенка перед использованием коляски необходимо убедиться, что все детали собраны и закреплены надлежащим образом.
- ! Во избежание удушья удостоверьтесь, что козырек и дождевик не касаются ребенка.
- ! Остановив коляску, обязательно задействуйте тормоза.
- ! В случае повреждения или поломки коляски ее необходимо прекратить использовать.
- ! Коляску допускается катить только со скоростью пешей ходьбы. Коляска не предназначена для использования во время бега.
- ! Во избежание удушья перед использованием данного изделия снимите с него пластиковый пакет и упаковочные материалы. Храните пластиковый пакет и упаковочные материалы в местах, недоступных для детей.
- ! Данное изделие не предназначено для бега или катания на роликах.
- ! Для новорожденных спинку коляски рекомендуется опустить в самое низкое положение.
- ! Перед тем как помещать ребенка в коляску или извлекать его из коляски, необходимо задействовать тормоза.
- ! Переносная люлька предназначена только для тех детей, которые не могут самостоятельно сидеть, переворачиваться и вставать на четвереньки. Максимальный вес ребенка: 9 кг.
- ! Переносная люлька НЕ предназначена для длительного сна.
- ! ЗАПРЕЩАЕТСЯ использовать и укладывать в люльку матрасы помимо того, который поставляется в комплекте с ней.
- ! Автолюлька, установленная на раму данной коляски, не заменяет люльку или кроватку для новорожденных. Чтобы уложить ребенка спать, его необходимо перенести в подходящую лежачую коляску, люльку или кровать.
- ! Если ремень для переноски не используется, храните его в кармане, расположенном на обратной стороне опоры для ног.

Сборка коляски

(См. рисунки на стр. 1-12)

Перед сборкой и использованием данного изделия прочтите все инструкции в настоящем руководстве.

Раскладывание коляски

См. рисунки ① - ④

! Перед использованием удостоверьтесь, что коляска полностью зафиксирована в разложенном состоянии.

Установка и снятие передних колес

См. рисунки ⑤ - ⑥

Установка и снятие задних колес

См. рисунки ⑦ - ⑩

! Чтобы снять задние колеса, нажмите кнопки фиксаторов. ⑨

! Оберните застежки вещевой корзины вокруг рамы и оси тормоза, а затем застегните их. ⑩

Сборка и установка поручня

См. рисунки ⑪ - ⑬

Полностью собранная коляска показана на рисунке ⑭

Использование коляски

Использование пряжки

См. рисунки 15 - 16

Расстегивание пряжки

Чтобы расстегнуть пряжку, нажмите центральную кнопку. 15

Застегивание пряжки

Совместите пряжку на поясном ремне с пряжкой на плечевом ремне 16 - 1 и защелкните их в центральной пряжке. 16 - 2 Когда пряжка полностью застегнется, вы услышите щелчок. 16 - 3

! Во избежание причинения тяжкого вреда здоровью ребенка в результате падения или выскальзывания из коляски обязательно пристегивайте ребенка ремнем.

! Удостоверьтесь, что ремни плотно прилегают к телу ребенка. Расстояние между телом ребенка и плечевыми ремнями не должно превышать толщину ладони.

! Не перекрещивайте плечевые ремни. Это приведет к сдавливанию шеи ребенка.

Использование плечевых и поясных ремней

См. рисунки 17 - 20

! Во избежание выпадения ребенка из коляски, посадив его в коляску, удостоверьтесь, что плечевые и поясные ремни установлены на правильную высоту и имеют подходящую длину.

17 - 1 Фиксатор плечевого ремня А

17 - 2 Регулятор длины ремня

Для ребенка большого роста используйте фиксаторы плечевых ремней А и верхние прорези для ремней. Для ребенка небольшого роста используйте фиксаторы плечевых ремней А и нижние прорези для ремней.

Чтобы отрегулировать положение плечевых ремней, поверните шлейку ремня из верхнего положения

фиксатора. 18 - 1 Затем проденьте шлейку в переднюю часть сиденья. Отрегулируйте высоту и проденьте шлейку обратно. 18 - 2

плен фиксатором в верхнем положении. 19

! Установив высоту плечевого ремня, ОБЯЗАТЕЛЬНО зафиксируйте ремень в верхнем положении спинки сиденья.

С помощью регулятора длины отрегулируйте длину ремней. 20 - 1

Нажмите на кнопку 20 - 2 и одновременно вытяните поясной ремень на требуемую длину. 20 - 3

Регулировка положения спинки

См. рисунки 21 - 22

Опускание спинки

Чтобы опустить спинку, потяните за выступ фиксатора. 21

! Если ребенок уже сидит в коляске, придерживайте спинку другой рукой.

Поднятие спинки

Удерживая левую и правую веревки, нажмите на регулятор наклона, чтобы поднять спинку. 22

! Установите подходящий для использования наклон спинки.

Регулировка положения опоры для ног

См. рисунки 23

Опору для ног можно установить в 2 положения.

Поднятие опоры для ног

Чтобы поднять опору для ног, потяните ее вверх. Когда опора зафиксируется должным образом, прозвучит щелчок.

Опускание опоры для ног

Нажмите на регулировочные кнопки с обеих сторон опоры для ног 23 - 1 и опустите опору. 23 - 2

Использование фиксаторов передних колес

См. рисунки 24

Поднимите фиксаторы передних колес, чтобы сохранить направление движения. 24

Совет Фиксаторы передних колес рекомендуется использовать на неровных поверхностях.

Использование тормоза

См. рисунки 25 - 26

Чтобы заблокировать колеса, опустите ногой педаль тормоза вниз. 25

Чтобы разблокировать колеса, поднимите педаль тормоза вверх. 26

Совет Всегда задействуйте тормоз, если не перемещаете коляску.

Использование козырька

См. рисунки 27

Козырек можно разложить, сложить, переместит вперед и переместить назад. 27

Использование накладок для плечевых ремней и пахового ремня

Накладки наплечных и поясных ремней можно снять. Чтобы надеть накладки на плечевые и поясные ремни выполните операции в обратном порядке.

Регулировка положения рукоятки

См. рисунки 28

Рукоятку можно установить в 3 положениях.

Для регулировки положения рукоятки одновременно нажмите на кнопки регулировки рукоятки слева и справа и поверните рукоятку в нужное положение.

Складывание коляски

См. рисунки 29 - 36

! Перед складыванием коляски необходимо сложить козырек.

Нажмите на дополнительный фиксатор 29 - 1 и нажмите на кнопку для складывания коляски одной рукой 29 - 2. Для складывания наклоните коляску вперед.

! В чехле для переноски удобно переносить коляску. 36

Использование принадлежностей

Принадлежности могут продаваться отдельно или не предлагаться в некоторых регионах.

Использование с удерживающей системой для новорожденных или переносной люлькой

См. рисунки 37 - 46

При использовании коляски с удерживающей системой для новорожденных i-Level, i-Snug, Gemm, i-Gemm или переносной люлькой Ramble соблюдайте приведенные ниже инструкции.

! В случае возникновения любых проблем при использовании удерживающей системы для новорожденных или переносной люльки ознакомьтесь с руководством по эксплуатации этих систем.

! Не складывайте коляску с установленной удерживающей системой для новорожденных или переносной люлькой.

Использование дождевика

См. рисунки 47

Для сборки дождевика накройте им коляску и прикрепите к дождевику застежки и застежки-липучки.

! Перед использованием дождевика установите спинку в самое низкое положение и закрепите удерживающую систему для новорожденных.

- ! При использовании дождевика обязательно проверяйте его вентиляцию.
- ! Неиспользуемый дождевик необходимо очистить, высушить и сложить.
- ! Не складывайте коляску, если на нее установлен дождевик.
- ! Не помещайте ребенка в коляску с дождевиком в жаркую погоду.

Снятие тканевых деталей

См. рисунки 48 - 62

1. Выполните шаги 48 - 62, чтобы снять тканевые детали.
 - ! Сохраните провод снятого козырька и установите его при последующей сборке козырька.
2. Чтобы снова надеть тканевые детали, выполните приведенные выше шаги в обратном порядке.

Обслуживание и уход за изделием

См. рисунки 63

- ! Съёмную подкладку сиденья можно стирать в холодной воде и сушить без отжима. Не отбеливать! Инструкции по очистке тканевых деталей коляски приведены на памятке по уходу.
- ! Для очистки рамы коляски разрешается использовать только хозяйственное мыло и теплую воду. Запрещается использование отбеливателей и моющих средств. Периодически протирайте пластиковые детали мягкой влажной тканью. В случае контакта коляски с водой обязательно вытирайте металлические детали насухо во избежание появления ржавчины.
- ! Время от времени проверяйте коляску на наличие плохо закрепленных винтов, признаков износа деталей, повреждений материала и швов. Заменяйте или ремонтируйте детали по необходимости.
- ! Чрезмерное нахождение на солнце или при повышенной температуре приводит к выцветанию или деформации деталей.

- ! Если коляска намочена, откройте капюшон и хорошо просушите перед тем, как поместить коляску на хранение.
- ! Если скрипят колеса, смажьте их легким маслом (например силиконовой смазкой-аэрозолем, антикоррозийным маслом или маслом для швейных машин). Важно, чтобы при этом масло попало на ось и систему колеса. 63
- ! При использовании коляски на пляже полностью очищайте ее механизмы и колеса от песка и соли.

TR Joie™'ye Hoş Geldiniz

Joie ailesine katıldığınız için tebrikler! Çocuğunuzla olan yolculuğunuzda size katılmaktan büyük bir heyecan duyuyoruz. Joie Tourist™ ile seyahat ederken, EN 1888-1:2018 Avrupa güvenlik standartlarıyla onaylanmış, yüksek kaliteli, tamamen sertifikalı bir bebek arabası kullanırsınız. Bu ürün, 15 kilogramın altında kiloya sahip çocuklar için kullanıma uygundur. Rahat bir sürüş ve çocuğunuz için en iyi korumayı sağlamak üzere lütfen bu kılavuzu dikkatle okuyun ve her bir adımı izleyin.

Önemli ! Dikkatli bir şekilde okuyun ve ileride başvurmak için saklayın.

Kılavuzları indirmek ve daha heyecan verici Joie ürünlerine bakmak için joiebaby.com adresini ziyaret edin! Garanti bilgileri için lütfen joiebaby.com adresindeki web sitemizi ziyaret edin.

İçindekiler

Şekiller	1-12
UYARI	157
Bebek Arabası Montajı	160
Bebek Arabasını Açma	160
Ön Teker Monte Etme ve Çıkarma	160
Arka Teker Monte Etme ve Çıkarma	160
Kolçağı Monte Etme ve Çıkarma	160

Bebek Arabası Kullanımı	161
Toka Kullanımı	161
Omuz ve Bel Kayışlarının Kullanımı	161
Arkalığı Ayarlama	162
Baldır Desteğini Ayarlama	162
Ön Döndürme Kilidinin Kullanımı	163
Fren Kullanımı	163
Tente Kullanımı	163
Omuz Kayışı Kılıfı ve Kasık Kayışı Kılıfı Kullanımı	163
Kulpu Ayarlama	163
Bebek Arabasını Katlama	164
Aksesuarların Kullanımı	164
Çocuk Koltuğuyla veya Portatif Karyolayla Kullanım	164
Yağmurluk Kullanımı	164
Tekstil Malzemelerini Ayırma	165
Bakım ve Koruma	165

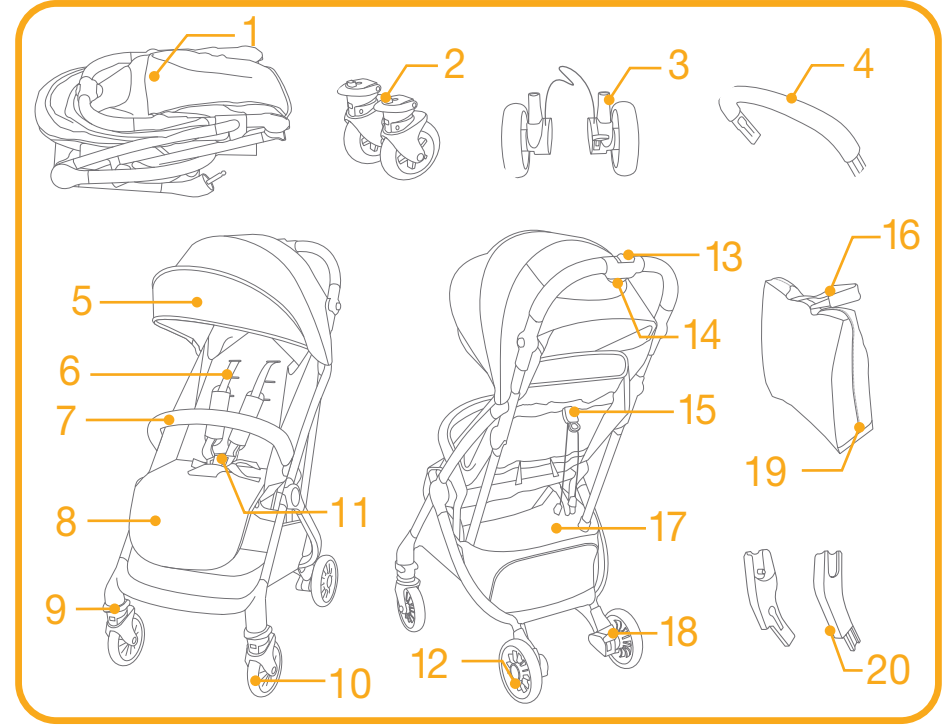
Acil durum

Acil durum veya kaza hâlinde, ilk yardım ve tıbbi tedavi yoluyla çocuğunuzla hemen ilgilenilmesini sağlamak çok önemlidir.

Ürün Bilgisi

Bu ürünü kullanmadan önce bu kılavuzdaki tüm talimatları okuyun. Sorularınız varsa lütfen satıcıyla iletişime geçin. Bazı özellikler modele bağlı olarak değişebilir.

Ürün	Tourist Bebek Arabası
Uygunluk	15 kilogramın altında kiloya sahip çocuk (doğum - 36 ay)
Malzemeler	Plastik, metal, kumaş
Patent No.	Patentler beklemededir
Üretim yeri	Çin
Marka	Joie
Web sitesi	www.joiebaby.com
Üretici	Allison Baby UK Ltd.



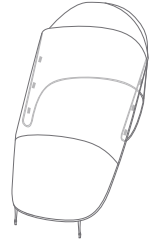
Parça Listesi

Monte etmeden önce tüm parçaların hazır bulunduğundan emin olun. Eğer herhangi bir parça eksikse, lütfen yerel tedarikçiniz ile temasa geçin. Montaj için hiçbir araç gerekli değildir.

1	Bebek Arabası Çerçevesi	11	Toka
2	Ön Teker	12	Arka Teker
3	Arka Teker	13	İkincil Kilit
4	Kolçak	14	Tek Elle Katlama Kulpu
5	Tente	15	Arkalık Ayarlayıcı
6	Omuz Kayışı	16	Taşıma Kayışı
7	Kolçak	17	Depolama Sepeti
8	Baldır Desteği	18	Fren Kolu
9	Döndürme Kilidi	19	Taşıma Çantası
10	Ön Teker	20	Adaptör

Aksesuarlar (dâhil olmayabilir) Yağmurluk

Aksesuarlar, bölgeye bağlı olarak ayrı satılabilir veya mevcut olmayabilir.



UYARI

- ! UYARI Daima emniyet kemeri sistemini kullanın. Güvenlik kemerleri ve sabitleme sistemleri doğru kullanılmalıdır.
- ! UYARI Kullanmadan önce tüm kilitleme mekanizmalarının bağlı olduğundan emin olun.
- ! UYARI Çocuğunuzun bu ürünler oynamasına izin vermeyin.
- ! UYARI Her kullanımdan önce port-bebe veya oturma ünitesi veya oto güvenlik koltuğu donatılarının doğru şekilde bağlı olduğunu kontrol edin.
- ! Montaj işlemi yetişkin tarafından yapılmalıdır.
- ! Bebek arabasını 15 kilogramın altında kiloya sahip çocuk için kullanın. Sığmayan çocuk, bebek arabasında hasara neden olur.
- ! Tehlikeli ve dengesiz bir durumu önlemek için, depolama sepetine 4,5 kilogramdan fazla ağırlık koymayın.
- ! Asla çocuğunuzu gözetimsiz bırakmayın. Bebek arabasındayken, çocuğu hep göz önünde tutun.
- ! Bebek arabasını aynı anda yalnızca bir çocukla kullanın. Kulpa veya tenteye asla cüzdan, alışveriş torbası, koli ya da aksesuar koymayın.
- ! Üretici tarafından onaylanmamış aksesuarlar kullanılmamalıdır. Yalnızca üretici tarafından sağlanan veya önerilen yedek parçalar kullanılmalıdır.
- ! Üretici tarafından üretilmemiş ya da onaylanmamış aksesuarları, parçaları veya bileşenleri asla kullanmayın. Lütfen talimat kılavuzunu dikkatlice okuyun.
- ! Ürünü kullanmadan önce lütfen kılavuzdaki tüm talimatları okuyun. İleride kullanmak için lütfen talimat kılavuzunu saklayın. Bu uyarılara ve talimatlara uymamak ciddi yaralanma veya ölümle sonuçlanabilir.
- ! Düşme veya kayma nedeniyle ciddi yaralanmayı önlemek için mutlaka emniyet kemeri kullanın.

- ! Bebek arabasını ayarlarken, çocuğunuzun gövdesinin hareketli parçalardan uzak olduğundan emin olun.
- ! Çocuğunuzun yaklaşmasına izin vermeden önce bebek arabasının tamamen açıldığından veya katlandığından emin olun.
- ! Kayış kullanılmazsa, çocuk bacak açıklıklarına kayabilir ve boğulabilir.
- ! Bebek arabasını sabit ya da yürüyen merdivenlerde asla kullanmayın.
- ! Yüksek sıcaklıktaki nesnelere, sıvılardan ve elektronik cihazlardan uzak tutun.
- ! Çocuğunuzun bebek arabasında ayağa kalkmasına veya kafası arabanın önüne gelecek şekilde oturmasına asla izin vermeyin.
- ! Bebek arabasını yollara, eğimli yerlere veya tehlikeli alanlara asla bırakmayın.
- ! Boğulmayı önlemek için, çocuğunuzun boynunun etrafında ipli nesnelere BULUNDURMAYIN, üründen ipler ASMAYIN veya oyuncaklara ip BAĞLAMAYIN.
- ! Kulpa, arkalığın sırt kısmına ve/veya bebek arabasının yan taraflarına takılan yükler bebek arabasının dengesini etkileyecektir.
- ! Çocuk içindeyken bebek arabasını yukarı KALDIRMAYIN.
- ! Depolama sepetini çocuk taşıma aracı olarak KULLANMAYIN.
- ! Devrilmeyi önlemek için çocuğun bebek arabasına tırmanmasına asla izin vermeyin. Çocuğu bebek arabasına oturturken ve arabadan çıkarırken mutlaka havaya kaldırın.
- ! Bebek arabasını katlarken ve açarken parmağınızı sıkıştırmamaya dikkat edin.
- ! Yaralanmayı önlemek için bu ürünü açarken ve katlarken çocuğunuzun uzakta olduğundan emin olun.

- ! Çocuğunuzun güvenliğini sağlamak için, bebek arabasını kullanmadan önce lütfen tüm parçaların monte edildiğinden ve düzgün biçimde sabitlendiğinden emin olun.
- ! Boğulmayı önlemek için, çocuğunuzun tenteden ve yağmurluktan uzak olduğundan mutlaka emin olun.
- ! Bebek arabasını park ederken frenleri mutlaka etkinleştirin.
- ! Hasar görürse veya kırılırsa bebek arabasını kullanmayı bırakın.
- ! Bebek arabası yalnızca yürüme hızında kullanılmalıdır. Bu ürün koşu sırasında kullanıma uygun değildir.
- ! Boğulmayı önlemek için, ürünü kullanmadan önce plastik torbayı ve ambalaj malzemelerini çıkarın. Çıkarılan plastik torba ve ambalaj malzemeleri bebeklerden ve çocuklardan uzak tutulmalıdır.
- ! Bu ürün koşu veya paten için uygun değildir.
- ! Doğumdan itibaren kullanılmak üzere tasarlanmış bebek arabasının, yeni doğan bebekler için en yatık konumda kullanılması önerilir.
- ! Çocuğunuzu yerleştirirken ve kaldırırken park etme donanımı etkinleştirilmelidir.
- ! Portatif karyola yalnızca yardımsız oturamayan, devrilen, elleri ve dizleri üzerinde kendini kaldıramayan çocuk için uygundur. En fazla ağırlık: 9 kg.
- ! Portatif karyola uzun süreli uyku için uygun değildir.
- ! Portatif karyolayla sağlanan dışındaki şilteleri kullanmayın veya yerleştirmeyin.
- ! Bu araç, bir kızıak düzeneğiyle birlikte kullanılan çocuk koltukları için bir karyola veya yatak yerine geçmez. Çocuğunuzun uyuması gerektiğinde, uygun bir çocuk arabası gövdesine, karyolaya veya yatağa yerleştirilmelidir.
- ! Kullanımda değilken taşıma askısını lütfen baldır destek cebinin arkasında saklayın.

Bebek Arabası Montajı

(Lütfen 1 ila 12. sayfalardaki şekillere başvurun)

Lütfen bu ürünü monte etmeden ya da kullanmadan önce bu kılavuzdaki tüm talimatları okuyun.

Bebek Arabasını Açma

bk. görüntüler ① - ④

! Kullanmaya devam etmeden önce, bebek arabasının mandalla tamamen kilitlendiğini kontrol edin.

Ön Teker Monte Etme ve Çıkarma

bk. görüntüler ⑤ - ⑥

Arka Teker Monte Etme ve Çıkarma

bk. görüntüler ⑦ - ⑩

! Arka tekerler, geçme düğmelere basılarak sökülebilir. ⑨

! Depolama sepetini çerçeve ve fren milinin etrafına sarıp, yerine geçirin. ⑩

Kolçağı Monte Etme ve Çıkarma

bk. görüntüler ⑪ - ⑬

Tamamen monte edilen bebek arabası şu numaralı şekilde gösterilmektedir: ⑭

Bebek Arabası Kullanımı

Toka Kullanımı

bk. görüntüler 15 - 16

Tokayı Serbest Bırakın

Tokayı serbest bırakmak için ortadaki düğmeye basın. 15

Tokayı Kilitleyin

Bel kemeri kopçasını omuz kopçasıyla eşleştirip 16 - 1, orta kopçaya kilitleyin. 16 - 2 "Tıklama" sesi, tokenın tamamen kilitlendiği anlamına gelir. 16 - 3

! Düşme veya kayma sonucu oluşacak ciddi yaralanmaları önlemek için, çocuğunuzu her zaman kayışla sabitleyin.

! Çocuğunuzun güvenli biçimde sabitlendiğinden emin olun. Çocuk ve omuz kayışı arasındaki mesafe yaklaşık bir el kalınlığında olmalıdır.

! Omuz kemerlerini çaprazlamayın. Bu, çocuğun boynuna basınç uygular.

Omuz ve Bel Kayışlarının Kullanımı

bk. görüntüler 17 - 20

! Çocuğunuzun düşmesini önlemek için, çocuğunuz oturağa yerleştirildikten sonra omuz ve bel kayışlarının doğru yükseklikte ve uzunlukta olup olmadığını kontrol edin.

17 - 1 Omuz kayışı tutturma noktası A

17 - 2 Kayar ayarlayıcı

Daha büyük çocuk için, omuz kayışı tutturma noktası A ve en yüksek omuz yuvalarını kullanın. Daha küçük çocuk için, omuz kayışı tutturma noktası A ve en düşük omuz yuvalarını kullanın.

Omuz kayış takımının konumunu ayarlamak için, kayış takımı kemerini üst tutturma konumundan bükün. 18 - 1 Kemeri koltuğun ön tarafına doğru geçirin, yüksekliği gerektiği gibi ayarlayıp tekrar geriye geçirin. 18 - 2

Omuz kemerinin üst tutturma konumu boyunca geri yerleştirildiğinden emin olun. 19

! Omuz kayış takımı yüksekliği ayarlandığında, kemer de arka-ıktaki en yüksek yuva boyunca sabitlenmelidir.

Kayış uzunluğunu değiştirmek için kayar ayarlayıcıyı kullanın. 20 - 1

Düğmeye basarken 20 - 2, bel kayışını uygun uzunluğa çekin. 20 - 3

Arkalığı Ayarlama

bk. görüntüler 21 - 22

Arkalığı Yatırma

Arkalığı yaslamak için kayışı çekin. 21

! Çocuk arabada oturuyorsa diğer elle arkalığı tutun.

Arkalığı Yükseltme

Hem sol hem de sağ ipleri tutup, arkalığı yükseltmek için açay ararlayıcıyı yukarı itin. 22

! Yatırma açısının kullanıma uygun ayarlandığından emin olun.

Baldır Desteği Ayarı

bk. görüntüler 23

Baldır desteği 2 konuma sahiptir.

Baldır Desteğini Yükseltme

Baldır desteğini yükseltmek için yukarı doğru itmeniz yeterlidir. "Tıklama" sesi, baldır desteğinin tamamen kilitlendiği anlamına gelir.

Baldır Desteğini Alçaltma

Baldır desteğinin her iki tarafındaki ayar düğmelerine basın 23 - 1 ve baldır desteğini aşağı doğru döndürün. 23 - 2

Ön Döndürme Kilidi Kullanımı

bk. görüntüler 24

Hareket yönünü korumak için ön döndürme kilitlerini yukarı itin. 24

İpucu Döndürme kilitlerinin düz olmayan yüzeylerde kullanılması önerilir.

Fren Kullanımı

bk. görüntüler 25 - 26

Tekerleri kilitlemek için fren koluna ayağınızla basın. 25

Tekerleri serbest bırakmak için fren kolunu yukarı doğru kaldırmanız yeterlidir. 26

İpucu Bebek arabası kullanılmıyorken her zaman park frenine alın.

Tente Kullanımı

bk. görüntüler 27

Tente açılabilir veya katlanabilir; öne ya da arkaya doğru çekin. 27

Omuz Kayışı Kılıfı ve Kasık Kayışı Kılıfı Kullanımı

Omuz kayışı kılıfı ya da kasık kayışı kılıfı şeritten çıkarılabilir. Omuz kayışı kılıfını ve kasık kayışı kılıfını takmak için adımları ters yönde izleyin.

Kulpu Ayarlama

bk. görüntüler 28

Kulp 3 konuma ayarlanabilir.

Kulpu ayarlamak için, aynı anda sol ve sağ kulp ayarlama düğmelerine basıp, kulpu istenen bir konuma döndürün.

Bebek Arabasını Katlama

bk. görüntüler 29 - 36

! Lütfen bebek arabasından önce tenteyi katlayın.

İkincil kilidi itip 29 - 1, tek elle katlama düğmesine bastırın 29 - 2. Katlamak için bebek arabasını ileri doğru itin.

! Taşıma çantasını kullanarak bebek arabasını yanınızda taşıyın. 36

Aksesuarların Kullanımı

Aksesuarlar, bölgeye bağlı olarak ayrı satılabilir veya mevcut olmayabilir.

Çocuk Koltuğuyla veya Portatif Karyolayla Kullanım

bk. görüntüler 37 - 46

Joie çocuk koltuğu i-Level, i-Snug, gemm, i-Gemm veya Ramble portatif karyolayla kullanırken lütfen aşağıdaki talimatlara başvurun.

! Çocuk koltuğunu veya portatif karyolayı kullanma konusunda herhangi bir sorun yaşarsanız, lütfen ilgili talimat kılavuzlarına başvurun.

! Bebek arabasını, çocuk koltuğu veya portatif karyola takılı durumdayken katlamayın.

Yağmurluk Kullanımı

bk. görüntüler 47

Yağmurluğu takmak için, bebek arabası üzerine yerleştirip, yağmurluktaki kanca ve halka tutturucuları takın.

! Yağmurluğu kullanmadan önce, lütfen arkalığın en alçak konuma ayarlandığından ve çocuk koltuğunun sabitlendiğinden emin olun.

! Yağmurluğu kullanırken lütfen her zaman havalandırmasını kontrol edin.

! Kullanılmıyorken, katlamadan önce yağmurluğun temizlenmiş ve kurumuş olduğunu kontrol edin.

! Yağmurluğu taktıktan sonra bebek arabasını katlamayın.

! Sıcak havalarda, çocuğunuzu bebek arabasına yağmurluk takılı olarak oturtmayın.

Tekstil Malzemelerini Ayırma

bk. görüntüler 48 - 62

1. Tekstil malzemelerini ayırmak için 48 - 62 arası adımları izleyin.

! Çıkardıktan sonra lütfen tente telini güvenli bir yerde tutun ve tenteyi monte ederken tente telini mutlaka takın.

2. Tekstil malzemelerini tekrar takmak için lütfen yukarıdaki adımları ters yönde izleyin.

Bakım ve Koruma

bk. görüntüler 63

! Çıkarılabilir oturak pedi soğuk suda yıkanabilir ve asılarak kurutulabilir. Çamaşır suyu kullanmayın. Bebek arabasının kumaş parçalarının temizliği konusunda yönergeler için lütfen bakım etiketine başvurun.

! Bebek arabası çerçevesini temizlemek için yalnızca ev sabunu ve ılık su kullanın. Çamaşır suyu ya da deterjan kullanmayın. Plastik parçaları düzenli olarak yumuşak, nemli bir bezle silerek temizleyin. Bebek arabası suyla temas ederse, pas oluşumunu önlemek için metal parçaları mutlaka kurulayın.

! Bebek arabanızı gevşeyen vidalar, eskimiş parçalar, yırtık malzeme ya da sökülmüş dikiş olup olmadığını tespit etmek için ara sıra kontrol edin. Gerek duyduğunuzda ilgili parçaları değiştirin ya da onarın.

! Güneşe ya da ısıya uzun süre maruz kalması halinde parçaların rengi solabilir ya da biçimsel bozulmalar görülebilir.

! Bebek arabası ıslanırsa, tepeliği açın ve depolamadan önce iyice kurummasını sağlayın.

! Tekerler gıcırda, hafif bir yağ (örneğin Silikon Sprey, paslanma önleyici yağ ya da dikiş makinesi yağı) kullanın. Yağı, aks ve teker donanımına uygulamak önemlidir. 63

! Bebek arabanızı plajda kullanırken, mekanizmalar ve teker donanımlarındaki kumu ve tuzu gidermek için, bebek arabanızı kullanım sonrasında tamamen temizleyin.

تهانينا لانضمامك إلى عائلة Joie! إننا في غاية السعادة لاشتراكنا في رحلتك مع طفلك الصغير. حيث يضمن النظام الذي تقدمه Joie Tourist™, أقصى درجات السلامة أثناء القيادة لعربة أطفال عالية الجودة وأمنة بالكامل, كما أنه مطابق لمعايير السلامة الأوروبية رقم EN 1888-1:2018. ويرجى العلم بأن هذا المنتج مناسب للأطفال الذين يقل وزنهم عن ١٥ كجم, لذا يرجى قراءة التعليمات الواردة في هذا الدليل بعناية واتباع كل خطوة فيه لضمان قيادة مريحة وتوفير أفضل حماية لطفلك.

هام - يرجى الاحتفاظ بهذه التعليمات للرجوع إليها مستقبلاً.

زوروا موقعنا الإلكتروني joiebaby.com لتحميل أدلة الاستخدام ومشاهدة منتجات Joie المشوقة!

لمعرفة معلومات الضمان؛ يرجى زيارة موقع الويب الخاص بنا على

joiebaby.com

المحتويات

١٢-١	الأشكال
١٧١	تحذير
١٧٤	تركيب عربة الأطفال
١٧٤	فتح عربة الأطفال
١٧٤	تركيب وفصل العجلة الأمامية
١٧٤	تركيب وفصل العجلة الخلفية
١٧٤	تركيب وفصل الذراع

١٧٥	تشغيل عربة الأطفال
١٧٥	استخدام إبريم الحزام
١٧٥	استخدام أحزمة الكتف والخصر
١٧٦	ضبط مسند الظهر
١٧٦	ضبط مسند الساق
١٧٧	استخدام القفل الدوار الأمامي
١٧٧	استخدام الفرامل
١٧٧	استخدام المظلة
١٧٧	استخدام غطاء حزام الكتف وغطاء الحزام المفروق للساقين
١٧٧	ضبط المقبض
١٧٨	طي عربة الأطفال
١٧٨	استخدام الملحقات
١٧٨	الاستخدام مع نظام تقييد حركة الطفل أو حقيبة الحمل
١٧٨	استخدام الغطاء الواقي من المطر
١٧٩	فك الأجزاء اللينة
١٧٩	العناية والصيانة

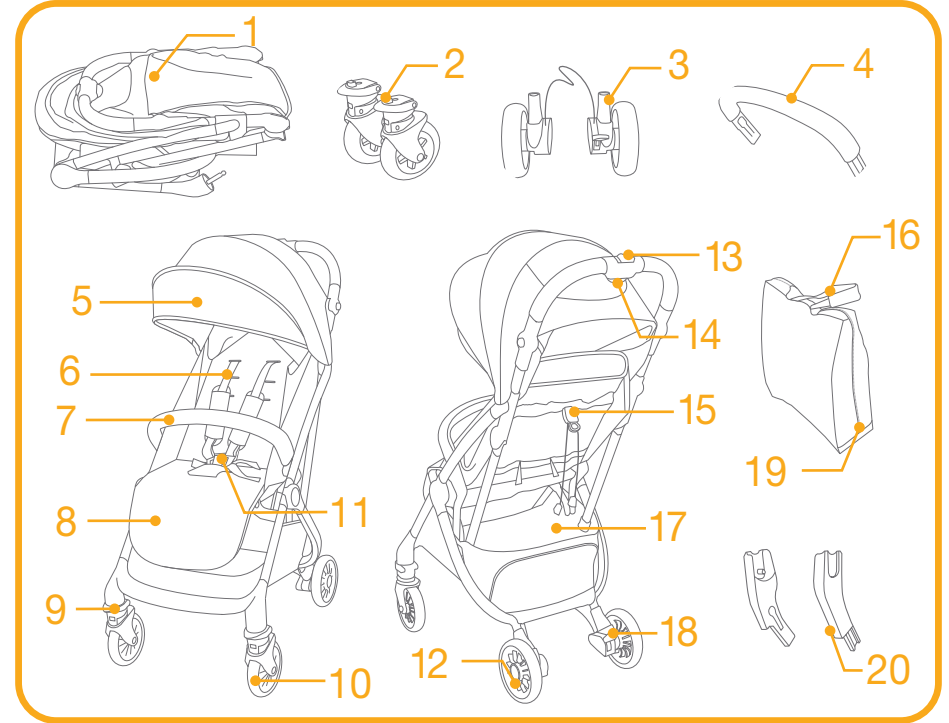
الطوارئ

في حالات الطوارئ أو الحوادث، يرجى العناية بالطفل عن طريق القيام بالإسعافات الأولية وتقديم العلاج الطبي فوراً.

معلومات المنتج

يرجى قراءة كافة التعليمات الواردة في هذا الدليل قبل استخدام المنتج، وفي حال وجود استفسارات أخرى، يرجى الرجوع إلى الموزع للاستشارة، قد تختلف بعض مزايا المنتج وفقاً للطراز.

المنتج	المنتج
هذا المنتج مناسب	المنتج
للأطفال ممن يقل وزنهم عن ١٥ كجم (من الميلاد - ٣٦ شهراً)	الخامات
بلاستيك، معدن، قماش	رقم براءة الاختراع
براءات الاختراع المنتظرة	صُنِعَ في
الصين	اسم العلامة التجارية
Joie	موقع الويب
www.joiebaby.com	المُصنِّع
شركة Allison Baby UK المحدودة	



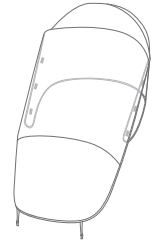
قائمة الأجزاء

يرجى التأكد من توافر كافة الأجزاء قبل القيام بالتركيب، في حالة فقد أحد مكونات العربة، يرجى الاتصال بالموزع المحلي. لا داعٍ لاستخدام أية أدوات لتركيب العربة.

١ إطار عربة الأطفال	١١ إبزيم
٢ العجلة الأمامية	١٢ العجلة الخلفية
٣ العجلة الخلفية	١٣ القفل الثانوي
٤ الذراع	١٤ مقبض الطي باستخدام يد واحدة
٥ المظلة	١٥ ضابط مسند الظهر
٦ حزام الكتف	١٦ شريط الحمل
٧ الذراع	١٧ سلة التخزين
٨ دعامة القدمين	١٨ ذراع الفرامل
٩ القفل الدوار	١٩ حقيبة الحمل
١٠ العجلة الأمامية	٢٠ المهائئ

الملحقات

(قد لا تكون مرفقة)
غطاء واق من المطر



قد يتم بيع الملحقات فردياً أو قد لا تكون متاحة وفقاً للمنطقة.

تحذير

- ! احرص على إبعاد العربة عن مصادر الحرارة المرتفعة أو السوائل أو الأجهزة الإلكترونية.
- ! يُحظر وقوف الطفل على العربة أو جلوسه بداخلها عندما تكون رأسه متجه ناحية المقدمة.
- ! يُحظر وضع عربة الأطفال على الطرق أو المنحدرات أو المناطق الخطرة.
- ! لتفادي الاختناق، تجنب وضع أي أجسام مزودة بسلاسل حول رقبة الطفل أو قم بفصل السلاسل عن المنتج أو ربطها في الألعاب.
- ! لا تربط أشياء بالمقبض أو ظهر المقعد أو جوانب عربة الأطفال لأنها ستؤثر على ثبات العربة.
- ! تجنب رفع العربة إذا كان الطفل بداخلها.
- ! تجنب وضع الطفل داخل سلة التخزين.
- ! لتجنب ميل العربة، احرص على عدم تسليق الطفل لها. ارفع طفلك داخل العربة أو خارجها دائمًا.
- ! لتجنب انحشار الأصابع، احرص على طيِّ العربة أو بسطها بعناية.
- ! تأكد من إبعاد طفلك عند بسط العربة أو طيها لتجنب إلحاق أي ضرر به.
- ! يرجى تخزين حزام الحمل في الجزء الخلفي من جيب دعم الكتلة أثناء عدم الاستخدام.
- ! تحذير احرص دائمًا على استخدام نظام تقييد حركة الطفل. يجب استخدام أحزمة الأمان ونظام تقييد الحركة استخدامًا صحيحًا.
- ! "تحذير" تأكد من تأمين الأقفال كافة قبل الاستخدام.
- ! تحذير، لا تدع الأطفال يعبتون بهذا المنتج.
- ! "تحذير" تحقق من تأمين هيكل العربة أو أدوات تثبيت وحدة المقعد أو مقعد السيارة ومن صحة تعشيقها قبل الاستخدام.
- ! يجب تركيب الكرسي بواسطة شخص بالغ.
- ! استخدم عربة الأطفال هذه مع الأطفال الذين يقل وزنهم عن ١٥ كجم. حيث إن استخدام العربة لحمل طفل زائد الوزن سيؤدي إلى تلفها.
- ! لتفادي الحالات الخطرة أو غير المستقرة، لا تضع عناصر يزيد وزنها على ٤,٥ كجم في سلة التخزين.
- ! يحظر بناتًا ترك طفلك دون مراقبة. لذا احرص دائمًا على مراقبة الطفل عند وضعه في العربة.
- ! استخدم العربة لحمل طفل واحد فقط في كل مرة. ويحظر وضع حقائب اليد أو حقائب التسوق أو الطرود أو الإكسسوارات على المقبض أو الغطاء.
- ! يجب عدم استخدام قطع الغيار غير المعتمدة من قبل الجهة المصنّعة. فيجب ألا يتم استخدام إلا قطع الغيار المرفقة أو الموصى بها من قبل الجهة المصنّعة.
- ! لا تستخدم مطلقًا ملحقات أو أجزاء أو مكونات لم يتم إنتاجها أو اعتمادها من قبل الجهة المصنّعة. ويرجى الاطلاع على دليل التعليمات بعناية.
- ! يُرجى قراءة كل التعليمات الواردة في هذا الدليل قبل استخدام المنتج. كما يرجى الاحتفاظ بهذا الدليل لاستخدامه في المستقبل. وقد يؤدي عدم مراعاة هذه التحذيرات وإتباع التعليمات إلى وقوع إصابات بالغة أو الوفاة.
- ! احرص على استخدام حزام الأمان دائمًا لتفادي وقوع الإصابات البالغة الناتجة عن الوقوع أو الانزلاق.
- ! تأكد من ابتعاد جسد طفلك عن الأجزاء المتحركة عند ضبط العربة.
- ! تأكد من فتح العربة أو طيها بالكامل قبل السماح للطفل بالاقتراب منها.
- ! في حالة عدم استخدام الحزام قد ينزلق الطفل إلى فتحات الساق ومن ثم يتسبب ذلك في اختناقه.
- ! يُحظر استخدام عربة الأطفال على درج أو سلالم كهربائية.

تركيب عربة الأطفال

(يرجى الرجوع إلى الأشكال الموضحة بالصفحات ١-١٢)

يرجى قراءة كافة التعليمات الواردة في هذا الدليل قبل تركيب المنتج واستخدامه.

فتح العربة

راجع الصور ١ - ٤

! تحقق من غلق مزلاج العربة بالكامل قبل المتابعة.

تركيب وفصل العجلة الأمامية

راجع الصور ٥ - ٦

تركيب وفك العجلات الخلفية

راجع الصور ٧ - ١٠

! يمكن فك العجلات الأمامية عن طريق الضغط على أزرار التحرير للخلف. ٩

! قم بلف سلة التخزين حول محور المكابح وإطارها ثم ثبتها في مكانها. ١٠

تركيب وفصل الذراع

راجع الصور ١١ - ١٣

تم توضيح تعليمات تركيب العربة بالكامل على النحو ١٤

! لضمان سلامة طفلك، يُرجى التأكد من تركيب كل المكونات وإحكام ربطها جيداً قبل استخدام العربة.

! لتجنب اختناق طفلك، تأكد من إبقائه بعيداً عن المظلة والواقى من المطر.

! احرص على تأمين المكابح عند وقوف العربة.

! احرص على عدم استخدام العربة في حال تعرضها للتلف أو الكسر.

! يجب استخدام العربة بسرعة المشي فقط. هذا المنتج غير مُصمم للاستخدام أثناء الركض.

! لتفادي الاختناق، احرص على إزالة الكيس البلاستيكي ومواد التعبئة قبل استخدام المنتج. يرجى الاحتفاظ بالكيس البلاستيكي ومواد التعبئة بعيداً عن متناول الأطفال والرضع.

! هذا المنتج غير مناسب للاستخدام أثناء الجري أو التزلق.

! صُممت عربة الأطفال لاستخدامها منذ لحظة الولادة، ويفضل استخدام وضعية الانحناء المُصممة خصيصاً للأطفال حديثي الولادة.

! يجب تأمين المكابح عند وضع الطفل في العربة وإخراجه منها.

! لا تُستخدم حقيبة حمل الطفل إلا مع الأطفال غير القادرين على الجلوس دون دُعامة وكذلك غير القادرين على دفع أنفسهم لأعلى. الحد الأقصى لوزن الطفل: ٩ كجم

! حقيبة حمل الطفل غير معدة للاستخدام لنوم الطفل لفترات طويلة.

! تجنب وضع أي مفارش أو أحشية غير المثبتة بحقيبة حمل الطفل.

! لا تستبدل هذه العربة بسرير الطفل أو الفراش وذلك في أنظمة تقييد حركة الطفل المقترن بهيكل السيارة. وفي حالة رغبة الطفل في النوم، يجب وضعه في عربة الطفل أو حقيبة حمل أو سرير ملائمين.

تشغيل العربة

استخدام إبزيم الحزام

راجع الصور ١٥ - ١٦

تحرير الإبزيم

اضغط على الزر الموجود بمنطقة الوسط لتحرير الإبزيم. ١٥

غلق الإبزيم

قم بتوصيل إبزيم حزام الخصر مع إبزيم الكتف ١٦ - ١, ثم اضغط على إبزيم الوسط. ١٦ - ٢ عند سماع صوت "طققة" فهذا يشير إلى غلق الإبزيم بالكامل. ١٦ - ٣

! لتفادي وقوع إصابات بالغة ناجمة من الوقوع أو الانزلاق، احرص دائماً على تأمين طفلك باستخدام الحزام.

! تأكد من تثبيت طفلك بإحكام! تأكد من أن المسافة بين الطفل وحزام الكتف تساوي سُمك يد واحدة تقريباً.

! تجنب عكس أحزمة الكتف. فهذا سيؤدي إلى الضغط على رقبة الطفل.

استخدام أحزمة الكتف والخصر

راجع الصور ١٧ - ٢٠

! لحماية طفلك من السقوط، تحقق من ملائمة طول وارتفاع أحزمة الكتف والخصر بعد وضع الطفل على المقعد.

١٧ - ١ مثبت حزام الكتف من النوع أ

١٧ - ٢ ضابط الانزلاق

استخدم مثبت حزام الكتف من النوع أ والفتحات العلوية للحزام مع الأطفال ذوي الحجم الكبير. استخدم مثبت حزام الكتف من النوع أ والفتحات السفلية للحزام مع الأطفال ذوي الحجم الصغير.

لضبط موضع حزام المكتف؛ لف شريط الحزام من موضع المثبت العلوي ١٨ - ١

ثم مرر الشريط من خلاله نحو الجزء الأمامي من المقعد، اضبط الارتفاع حسبما يتطلب الأمر ومرر الجزء الزائد كما كان ١٨ - ٢

تأكد من أن شريط الكتف موجود الآن في الخلف من خلال موضع المثبت العلوي. ١٩

! تحذير! بمجرد ضبط ارتفاع حزام الكتف، يجب أيضاً أن يكون الشريط مثبتاً من خلال أعلى فتحة موجودة بمسند الظهر.

استخدم ضابط الانزلاق لتغيير طول الحزام. ٢٠ - ١

اضغط على الزر ٢٠ - ٢، أثناء سحب حزام الخصر للوصول إلى الطول المناسب. ٢٠ - ٣

ضبط مسند الظهر

راجع الصور ٢١ - ٢٢

إمالة مسند الظهر

اسحب اللسان لإمالة مسند الظهر. ٢١

! قم بمسك مسند الظهر بيدك الأخرى في حال جلوس الطفل بالفعل داخل العربة.

رفع مسند الظهر

قم بمسك السلاسل الموجودة على يمين العربة ويسارها ثم اسحب ضابط الزاوية لأعلى لرفع مسند الظهر. ٢٢

! تأكد من أن وضع الإنحناء صالح للاستخدام

ضبط مسند الساق

راجع الصور ٢٣

توجد وضعيتان لدعامة القدمين.

رفع دعامة القدمين

لرفع دعامة القدمين، فقط ادفعها لأعلى. A عند سماع صوت "طققة" فهذا يشير إلى غلق الإبزيم بالكامل.

خفض دعامة القدمين

لخفض دعامة القدمين، قم بالضغط على أزرار الضبط الموجودة على كلا الجانبين ٢٣ - ١، ثم قم بتدوير

الدعامة نحو الأسفل. ٢٣ - ٢

طيّ العربة

راجع الصور ٢٩ - ٣٦

! يرجى طيّ المظلة قبل طيّ العربة.

ادفع القفل الثانوي ٢٩ - ١ ثم اضغط على زر الطيّ باستخدام يد واحدة ٢٩ - ٢. ادفع العربة للأمام لطبيها.

! اسحب حقيبة الحمل، وستتبعك عربة الأطفال. ٣٦

استخدام الملحقات

قد يتم بيع الملحقات فردياً أو قد لا تكون متاحة وفقاً للمنطقة.

الاستخدام مع نظام تقييد حركة الطفل أو حقيبة الحمل

راجع الصور ٣٧ - ٤٦

عند الاستخدام مع نظام i-Level, i-Snug أو gemm أو i-Gemm لتقييد حركة الطفل من Joie أو حقيبة الحمل Ramble، يرجى اتباع التعليمات التالية.

! يُرجى الرجوع إلى دليل التعليمات الخاص بنظام تقييد حركة الطفل أو حقيبة الحمل، عند مواجهة أية مشكلة أثناء استخدامهما.

! برجاء عدم طي العربة في الوقت الذي لا يزال فيه نظام تقييد حركة الطفل أو حقيبة الحمل مركبين.

استخدام الغطاء الواقي من المطر

راجع الصور ٤٧

لتركيب الغطاء الواقي من المطر، ضعه فوق عربة الأطفال ثم ثبت المشابك والخطاف ومشابك ربط الحلقة في الغطاء الواقي من المطر.

! تأكد من ضبط مسند الظهر على الوضع السفلي وتثبيت نظام تقييد حركة الطفل، وذلك قبل استخدام الغطاء.

! عند استخدام الغطاء، يُرجى التأكد من التهوية بصورة مستمرة.

! في حالة عدم استخدام الغطاء الواقي من المطر، تأكد من تنظيفه وتجفيفه قبل طيه.

! يُرجى عدم طيّ العربة بعد تركيب الغطاء.

! تجنب وضع الطفل في عربة الأطفال المثبت بها الغطاء الواقي من المطر في حالة الطقس الحار.

استخدام القفل الدوار الأمامي

راجع الصور ٢٤

اسحب الأقفال الأمامية الدوارة لأعلى للحفاظ على اتجاه الحركة. ٢٤

تلميح يُوصى باستخدام الأقفال الدوارة مع الأسطح غير المستوية.

استخدام المكابح

راجع الصور ٢٥ - ٣٦

لإيقاف حركة العجلات، اضغط على لسان المكبح نحو الأسفل. ٢٥

لتحرير حركة العجلات، ما عليك سوى رفع لسان المكبح. ٣٦

تلميح احرص دائماً على تأمين المكابح عند وقوف العربة.

استخدام المظلة

راجع الصور ٣٧

يمكن فتح المظلة أو طيها، قم بسحبها نحو الأمام أو الخلف. ٣٧

استخدام غطاء حسام الكتف وغطاء الحزام المفرق للساقين

يمكن فصل غطاء حزام الكتف أو غطاء مفرق الساقين من النسيج. لتركيب غطاء حزام الكتف وغطاء المفرق للساقين بخطوات عكسية.

ضبط المقبض

راجع الصور ٢٨

يمكن ضبط المقبض لثلاثة أوضاع مختلفة.

لضبط المقبض، اضغط على زر ضبط المقبض الأيمن والأيسر في الوقت نفسه، ثم قم بتدوير المقبض للحصول على الوضع المرغوب.

فك الأجزاء اللينة

راجع الصور ٤٨ - ٦٢

١. اتبع الخطوات ٤٨ - ٦٢ لفك الأجزاء اللينة.

! يرجى الاحتفاظ بسلك المظلة بعد إزالته ويجب تركيبه أثناء تركيب المظلة.

٢. لإعادة تثبيت الأجزاء اللينة؛ يُرجى تكرار الخطوات سالفه الذكر ولكن بالترتيب العكسي للخطوات.

العناية والصيانة

راجع الصور ٦٣

! يمكن غسل وسادة المقعد القابلة للإزالة بالماء البارد ثم تركها لتجف. ويحظر استخدام المبيضات. يُرجى الرجوع إلى ملصق العناية للحصول على تعليمات حول تنظيف قطع قماش العربة.

! لتنظيف إطار العربة، استخدم صابوناً منزلياً وماء دافئاً فقط. ويحظر استخدام أية منظفات أو مبيضات. امسح الأجزاء البلاستيكية ونظفها بصورة دورية باستخدام قطعة قماش مبللة. قم بتجفيف الأجزاء المعدنية دائماً لتجنب تكوين الصدأ، في حالة تعرض العربة للماء.

! تحقق من وقت لآخر من عدم وجود أجزاء تالفة أو أقمشة ممزقة أو براغي مفكوكة أو غرز خياطة ممزقة. واحرص على استبدال الأجزاء التالفة أو إصلاحها عند الحاجة.

! قد يتسبب التعرض المفرط لأشعة الشمس أو الحرارة في تلف أجزاء العربة أو تشويهها.

! في حالة بلل عربة الأطفال، افتح الغطاء واتركها لتجف جيداً قبل تخزينها.

! في حال صرير العجلات، استخدم زيتاً خفيفاً (مثل بخاخ السيليكون أو زيت منع الصدأ أو بخاخ التلميع المنزلي أو زيت ماكينة الخياطة). ويوصى بوضع الزيت داخل تركيبات العجلات والمحور. ٦٣

! عند استخدام عربة الأطفال على الشاطئ، احرص على تنظيف تركيبات العجل والمعدات من الرمال والملح جيداً بعد الاستخدام.

CH 感謝您使用Joie™產品

祝賀您加入Joie 大家庭！

Joie Tourist™ 是一款符合歐盟安全標準 EN 1888-1:2018 的優質嬰幼兒手推車。本產品適合體重15kg 以下(約0-36個月)的嬰幼兒使用。

請仔細閱讀本說明書並依照指示操作，以確保為嬰幼兒提供一個安全又舒適的行程。

請妥善保存本說明書以便日後參考。

如遺失說明書或需瞭解更多產品資訊，請訪問 Joiebaby.com 下載電子說明書或查看更多Joie 產品。

目錄

圖示	1-12
警告	185
產品組裝	187
打開手推車	187
組裝/拆卸前輪	187
組裝/拆卸後輪	187
組裝/拆卸扶手	187

產品操作	188
使用安全扣	188
使用肩帶和腰帶	188
調整背靠角度	189
調節小腿靠支撐板	189
前輪定向	189
使用剎車踏板	189
使用遮陽篷	190
使用肩帶護套和胯帶護套	190
調整車把	190
收合手推車	190
使用配件	190
使用初生嬰兒手提籃	190
使用雨篷	191
拆卸座布	191
保養與維護	192

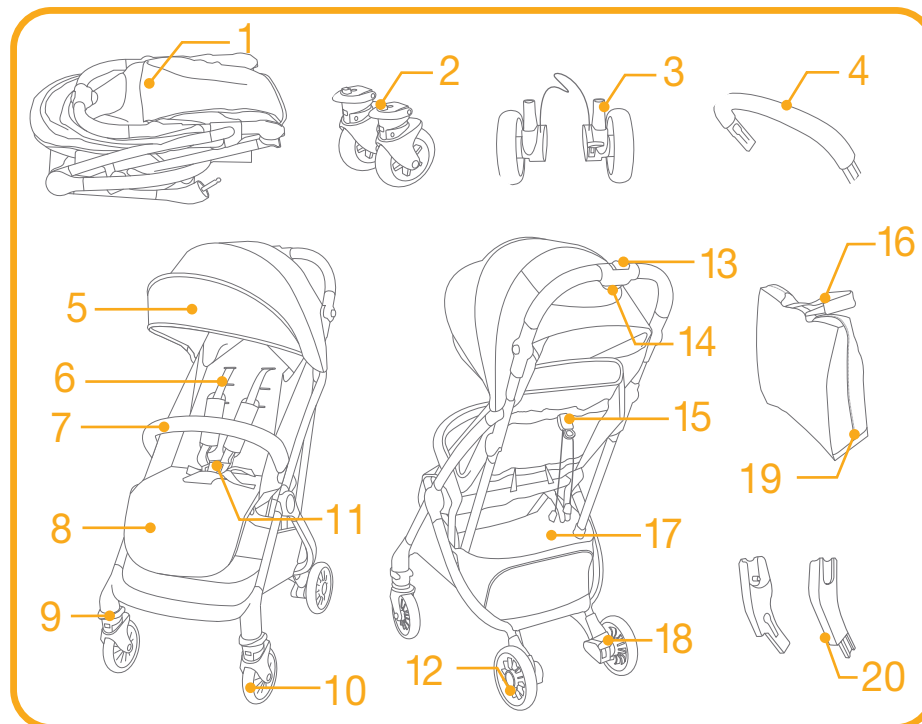
緊急情況處理

如遇緊急事故或意外時，請立即尋求專業醫療協助。

產品資訊

使用本產品前請先閱讀說明書全文。如對使用本產品有任何疑問，請先聯絡銷售商或代理商。因型號差異，產品規格或有不同。

產品名稱	Tourist™ 手推車
適用範圍	初生~15kg(約0-36個月)
主要材質	塑膠、合金、布
產地	中國
代理商	Baby C.E.O. (Hong Kong) Limited
地址	香港新界火炭坳背灣街14-24號 金豪工業大廈1期3樓A-C室
查詢熱線	(852) 2660 8883
電郵	info@babyceo.com.hk
網址	www.babyceo.com.hk
生產商	Allison Baby UK Ltd.



產品組件及各部件名稱

組裝前請確認所有部件已齊全。如有任何遺漏，請即聯絡銷售商或代理商。組裝本產品時，不需要額外工具。

- | | |
|----------|-----------|
| 1 主體 | 11 安全扣 |
| 2 前輪 | 12 後輪 |
| 3 後輪 | 13 第二道安全鎖 |
| 4 扶手 | 14 單手按鈕 |
| 5 遮陽篷 | 15 背靠調整扣 |
| 6 肩帶護套 | 16 手提帶 |
| 7 扶手 | 17 置物籃 |
| 8 小腿靠 | 18 剎車踏板 |
| 9 前輪定向拉板 | 19 收納袋 |
| 10 前輪 | 20 連接器 |

配件

(部分配件可能需單獨購買或在個別地區沒有銷售)

雨篷

因產品型號的不同，并非所有手推車均附有以上配件。



警告

- ! 必須使用束縛系統，安全帶或束縛系統必須正確地扣合及使用。
- ! 使用前，請確保所有鎖定裝置均已處於鎖定狀態。
- ! 請勿允許您的寶寶將本產品當玩具玩耍。
- ! 使用前，請確保手推車或手提籃所有鎖定裝置均已正確鎖定。
- ! 本產品必須由成人進行組裝。
- ! 本手推車適合體重15kg以下的嬰幼兒使用，不符合使用條件的嬰幼兒或會對產品造成損壞。
- ! 請勿擺放超過4.5kg的物件於置物籃內，以免導致手推車不穩而產生危險。
- ! 切勿獨留兒童於手推車內無人看顧。當兒童於手推車內時，請時刻留意兒童的狀況。
- ! 不可同時乘坐兩位及以上的兒童或將錢包、購物袋等其他附件負載於車把或遮陽篷上。
- ! 請勿使用非生產商提供的附件。只可使用生產商推薦或提供的配件。
- ! 嚴禁使用其他廠商提供的零部件。
- ! 使用前請仔細閱讀本說明書並請妥善保存以作日後參考。如果不按照本說明書使用，可能會導致嬰幼兒的嚴重傷亡。
- ! 為避免嬰幼兒意外跌落或滑落，必須時刻使用安全帶。
- ! 當調整手推車的任何可活動配件時，必須確認嬰幼兒與手推車保持安全距離。
- ! 嬰幼兒接近手推車前，請確認手推車已完全打開或收合。
- ! 使用時請扣好安全帶，以免嬰幼兒滑落腿部開口處而造成窒息。
- ! 禁止在樓梯或扶手電梯上使用手推車。

- ! 使用時請遠離火源、高溫、水池或電源之附近範圍。
- ! 請勿讓嬰幼兒站立或倒坐於手推車上。
- ! 請勿將手推車放置於馬路、斜路或危險場所。
- ! 請勿將任何繩索或索帶類物件懸掛於嬰幼兒頸部附近，或扣在產品上，以免導致意外窒息。
- ! 請勿放置任何物品在車把、背靠後面或車台側面，以免影響手推車的穩定性。
- ! 寶寶乘坐於手推車內時，不可將整個手推車往上提。
- ! 請勿將寶寶放到置物籃內。
- ! 請勿讓嬰幼兒攀扶手推車，以免翻車。
- ! 為避免意外夾傷手指，收合及展開手推車時，請無比小心。
- ! 嬰幼兒接近手推車前，請先確認手推車已完全打開或收合。
- ! 請確保嬰幼兒遠離遮陽篷或雨篷，以免造成窒息。
- ! 停泊此手推車時務必使用剎車裝置。
- ! 當發現手推車損壞時，請立即停止使用。
- ! 本產品只適合以步行速度使用。
- ! 本產品不適用於跑步和溜冰。
- ! 使用本產品前，請妥善處理包裝物料並放置於嬰幼兒無法觸及的地方。
- ! 移動本產品時，請輕放輕移，切勿硬拖猛推，以免造成產品結構等鬆動或斷裂。
- ! 6個月以下的初生兒使用時，請使用最斜躺位置。
- ! 當放入或抱起嬰幼兒時，應鎖定剎車裝置。
- ! 當結合手提籃使用時，本產品不可代替睡床使用。若您的寶寶需要睡眠時，請讓寶寶睡在合適的睡床上。

產品組裝

(請參照 1-12 頁)

組裝及使用手推車前，請先閱讀說明書全文，並按照說明書指示進行操作。

打開手推車

圖 1 - 4

！使用手推車前務必確認車架已完全展開並鎖定。

組裝/拆卸前輪

圖 5 - 6

組裝/拆卸後輪

圖 7 - 10

！按進彈簧片即可拔出後輪 9

！置物籃末端包住剎車鐵線和後叉管，並扣合鈕扣 10

組裝/拆卸扶手

圖 11 - 13

手推車組裝完成後如 14

產品操作

使用安全扣

圖 15 - 16

鬆開安全扣

按下母扣中央的按鈕，鬆開安全扣 15

扣合安全扣

將肩帶扣插入腰帶扣 16 - 1，再將它們插入母扣內 16 - 2，聽到“CLICK”聲即表示扣合到位 16 - 3

！為防止嬰幼兒意外跌出，嬰幼兒乘坐時必須使用安全帶。

！請牢牢繫上安全帶，並注意嬰幼兒與安全帶之間必須可以放進一個手掌的厚度。

！請勿交叉肩帶，以免對嬰幼兒頸部造成壓迫。

使用肩帶和腰帶

圖 17 - 20

！寶寶坐進手推車後，請確認肩帶孔高度和肩帶及腰帶的長度是否合適，以免寶寶於使用時意外跌出。

17 - 1 肩帶固定栓A

17 - 2 調整扣

較大的寶寶使用時，請將肩帶固定栓A放入最上方的肩帶孔；較小的寶寶使用時，請將肩帶固定栓A放入最下方的肩帶孔。

調整肩帶固定栓位置時，將背靠後方的肩帶固定栓放置水平、短邊超前 18 - 1，從肩帶孔穿出 18 - 2，再從背靠前方將肩帶固定栓穿過最接近寶寶肩膀的肩帶孔 19，將肩帶扣上下滑動以調節肩帶長度 20 - 1。按下按鈕 20 - 2，同時往外拉安全扣內側或外側的腰帶，可調節腰帶長度 20 - 3

調整背靠角度

圖 21 - 22

調低背靠角度

拉下背靠調整扣，同時將背靠往後拉 21

調高背靠角度

將背靠調整扣尾端的不織布帶往後拉，同時將背靠往前推 22

！確保背靠角度調整到合適角度時，方可使用。

調節小腿靠支撐板

圖 23

依不同使用需求，小腿靠共有2個段位可供調節。

段位調高時，將小腿靠支撐板由下往上推即可。

段位調低時，按下小腿靠兩側的調整按鈕 23 - 1，同時往下調節小腿靠支撐板 23 - 2

前輪定向

圖 24

向上提起拉板，即可固定車輪前行方向。 24

Tip 當在碎石路面或不平路面推行時，建議鎖定前輪，即可更輕鬆地操控手推車。

使用剎車踏板

圖 25 - 26

準備剎車時，踩下剎車踏板 25

打開剎車時，將剎車踏板抬起 26

Tip 手推車停止前進時，請踩下剎車踏板。

使用遮陽篷

圖 27

向前或向後拉遮陽篷，即可將遮陽篷打開或收攏。 27

使用肩帶護套和胯帶護套

肩帶護套和胯帶護套可從不織布帶上取下，反之即可組裝。

調整車把

圖 28

依不同使用需求，車把共有3個段位可供調節。

收合手推車

圖 29 - 36

！收合手推車前，請先收攏遮陽篷。

推開第二道安全鎖 29 - 1，然後持續按壓單手按鈕 29 - 2，稍微提起車把並將手推車向下推即可收合。

！使用收納袋方便運輸或儲存。 36

使用配件

因產品型號的不同，規格或有所差異。并非所有手推車均附以下配件。

使用初生嬰兒手提籃

圖 37 - 46

當與Joie嬰兒手提籃i-Level, i-Snug,gemm,i-Gemm等手提籃配合使用時，請參考以下指示：

！連接手提籃時，請將扶手移除並妥善保管。

！請將手推車備靠調至最平躺段位。

！關於使用手提籃有任何問題，請參考其說明書。

！請勿收合已安裝手提籃的手推車。

使用雨篷

圖 47

將雨篷套到車架上，再黏合雨篷側面的魔術貼和扣合雨篷下方的鈕扣。

- ! 使用雨篷時，請確認嬰兒手提籃已正確固定和手推車背靠已調至最低檔。
- ! 雨篷套到手推車或手推車配合嬰兒手提籃使用時，可根據需要黏合雨篷兩側兩排或四排的魔術貼。
- ! 使用雨篷時，請隨時注意並確認雨篷內有良好的通風。
- ! 請勿收合已罩上雨篷的手推車。
- ! 天氣炎熱時，請勿將幼童放在裝有雨篷的手推車內。

拆卸座布

圖 48 - 62

1. 參考48 - 62 可拆卸座布。
 - ! 遮陽篷鐵線移除後，請妥善保管。組裝遮陽篷時，必須組裝鐵線。
2. 依反方向操作即可組裝座布。

保養與維護

圖 63

- ! 清潔座布時，請使用溫水清洗，切勿漂白。具體請參考手推車上的清潔指示。
- ! 如需清洗車架，只可使用中性清潔劑及溫水洗滌，切勿使用漂白劑。清洗後，必須使用吸水力較強的布擦乾以防生鏽。
- ! 請定期檢查手推車，並隨時更換或修理鬆弛磨損的零部件、脫落的材料或車縫線。
- ! 過度曝曬於陽光下，可導致手推車老化或變形。
- ! 手推車潮濕時，請打開手推車及遮陽篷，待徹底乾燥後再收合手推車。
- ! 如車輪發出刺耳的金屬摩擦聲，可用潤滑劑(WD-40，防鏽油或縫紉機油)加以潤滑。請將潤滑劑點入輪軸及軸孔圖63之間，此步驟為重要的保養須知。
- ! 在海邊使用手推車時，務必於使用過後清除沙粒，以做好完善的清洗。

KR 제품을 구매해 주셔서 감사합니다.

JOIE 가족의 일원이된 것을 축하 드립니다! 여러분의 아이와 함께 삶의 일부분이 된 것에 대해 저희는 무척 기쁩니다. Joie Tourist™ 유모차와 함께 여행을 다니는 동안, 높은 사양을 지닌 유럽 안전인증 EN 1888-1:2018 를 획득한 유모차를 이용하실 수 있습니다. 이 제품은 15kg 미만의 아이들이 사용하기에 적합한 제품입니다.

이 설명서를 유심히 읽어보시고 단계별로 따라가며 편안하고 안전한 유모차사용이 되시길 바랍니다. 각 단계는 편안한 승차감과 최상의 승차감을 보장합니다. 중요 = 추후 참조를 위해 사용 설명서는 잘 보관해주세요! 참고.

joiebaby.co.kr 를 방문하시면 설명서 다운로드가 가능하며 더 많은 제품들을 구경 하시길 바랍니다!

보증서 정보를 위해 저희 사이트 joiebaby.co.kr 를 방문해주시기 바랍니다.

목록

그림	1-12
경고	197
유모차 조립	200
유모차 펴기	200
앞바퀴 조립 및 해제	200
뒷바퀴 조립 및 해제	200
안전 가드 조립 및 해제	200

유모차 작동	201
버클 사용하기	201
어깨 & 허리 벨트 사용하기	201
등받이 조절하기	202
발 받침 조절하기	202
앞 바퀴 고정하기	202
브레이크 사용하기	203
캐노피 사용하기	203
어깨 벨트와 가랑이 벨트 커버 사용하기	203
핸들 조절하기	203
유모차 접기	203
액세서리 사용하기	204
JOIE 카시트와 사용하기	204
레인 커버 사용하기	204
시트 및 커버 조립 및 제거하기	205
유지 및 관리하기	205

긴급상황

긴급상황이나 사고가 발생했을 때, 가장 중요한 점은 아이의 상태를 먼저 확인하고 바로 응급처치를 하는 것입니다.

제품 정보

제품을 사용하기 전에 이 설명서를 읽어보시기 바랍니다. 문의 사항이 있으시면, 판매자에게 연락하시기 바라며, 모델에 따라 기능들이 다를 수 있으니 참고 바랍니다.

제품 Tourist 유모차

유모차 사용 연령 15kg 미만 아이 (신생아 - 36개월)

소재 플라스틱, 메탈, 원단

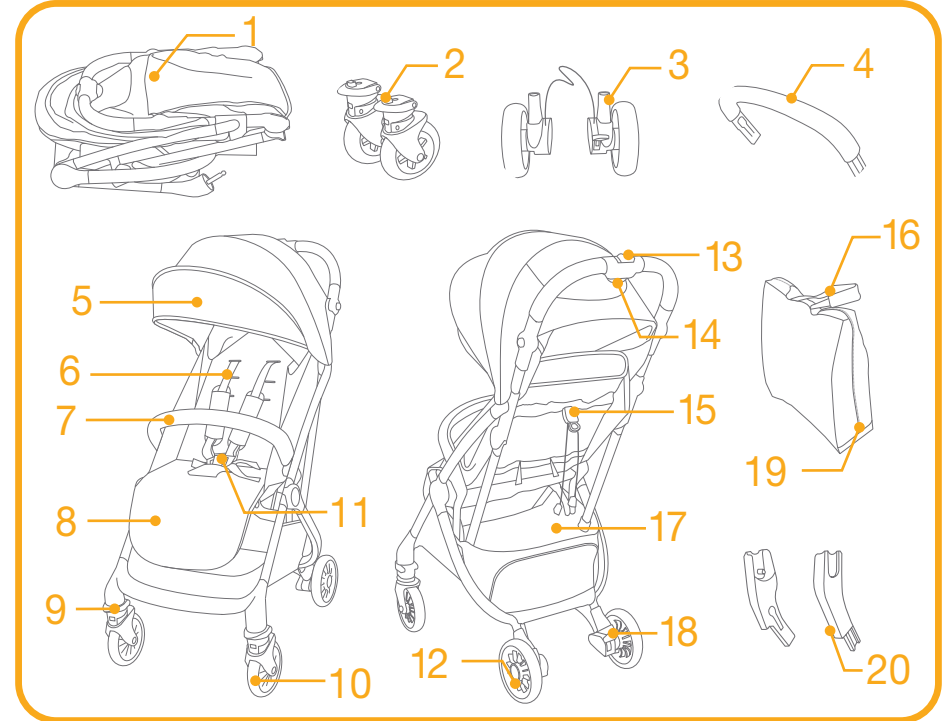
특허 번호 특허 진행중

제조국 중국

브랜드 조이

웹사이트 www.joiebaby.co.kr

제조사 Allison Baby UK Ltd



부품 리스트

조립 전에 부품이 모두 있는지 확인하시기 바랍니다. 부품이 빠져있다면, 지역 판매자에게 문의바랍니다. 조립을 위해 필요한 도구는 없습니다.

- | | |
|------------|--------------|
| 1 유모차 프레임 | 11 버클 |
| 2 앞바퀴 | 12 뒷바퀴 |
| 3 뒷바퀴 | 13 보조 잠금 장치 |
| 4 안전가드 | 14 한 손 폴딩 핸들 |
| 5 캐노피 | 15 등받이 각도 조절 |
| 6 어깨 벨트 | 16 트레블 스트랩 |
| 7 안전가드 | 17 장바구니 |
| 8 발 받침대 | 18 브레이크 레버 |
| 9 회전 잠금 장치 | 19 트레블 백 |
| 10 앞바퀴 | 20 어댑터 |

악세서리

(미포함 또는 별도)

레인 커버

이 악세서리는 따로 판매되거나 지역에 따라 제공되지 않는 경우가 있습니다.



경고

- ! 경고 항상 안전벨트를 사용하십시오. 안전벨트와 잠금 장치는 알맞게 사용 되어야 합니다.
- ! 경고 모든 잠금 장치는 사용 전에 제대로 작동하는지 확인하셔야 합니다.
- ! 경고 아이가 제품을 가지고 장난치지 않도록 하십시오.
- ! 경고 유모차나 아이 잠금장치들이 사용 전에 잘 작동되는지 확인하십시오.
- ! 조립은 성인이 해야 합니다.
- ! 본 제품은 15키로 미만의 아이들이 사용하여야 합니다. 제품에 맞지 않는 아이가 사용할 시 다칠 위험이 있습니다.
- ! 위험을 방지하기 위해 불안정한 환경에서 장바구니에 4.5KG 이상의 물건을 적재하지 마십시오.
- ! 아이를 혼자 두지 마십시오. 유모차 사용시에는 항상 아이가 보이는 곳에서 사용하시기 바랍니다.
- ! 본 제품에는 한 아이 이상 태우지 마십시오. 가방, 쇼핑백, 소포, 또는 액세서리 아이템들을 핸들이나캐노피에 올려놓지 마십시오.
- ! 제조자에 의해 승인된 액세서리가 아닌 제품을 사용하지 마십시오. 제조자가 추천하거나 제공하는부품만 사용하시기 바랍니다.
- ! 제조자에 의해 승인된 액세서리가 아닌 제품을 사용하지 마시기 바랍니다. 제품설명서를 꼼꼼히 읽어주시기 바랍니다.
- ! 제품 사용 전에 설명서를 꼼꼼히 읽어주시기 바랍니다. 설명서는 추후 사용을 위해 잘 보관해 주시길 바랍니다. 경고와 설명을 따르지 않는 경우 심각한 부상을 당하거나 사망에 이를 수 있습니다.
- ! 떨어지거나 넘어져 심각한 부상을 당하는 것을 피하기 위해 항상 안전벨트 사용을 하시기 바랍니다.
- ! 유모차 각도조절시에 움직이는 부분으로부터 아이의 몸이 닿지

않도록 하시기 바랍니다.

- ! 유모차에 아이가 가까이 가기 전에 유모차가 완전히 펼쳐지거나 접혀졌는지 확인하시기 바랍니다.
- ! 안전벨트를 사용하지 않는 경우, 아이가 미끄러져 벨트에 목이 졸리는 경우가 발생할 수 있습니다.
- ! 계단이나 에스컬레이터에서 유모차 사용을 하지 마십시오
- ! 높은 온도의 제품이나 액체, 전자제품들로부터 떨어지도록 하십시오.
- ! 아이가 유모차에서 서거나, 또는 유모차 시트 반대 방향으로 앉지 못하게 하세요.
- ! 길가나 언덕 또는 위험한 장소에 유모차를 두지 마십시오
- ! 아이의 목 졸림 방지를 위해, 아이의 목 근처나 주위에 끈이 있는 장난감 또는 물건을 두지 마십시오.
- ! 핸들 바, 유모차 등받이 뒷부분, 또는 유모차 사이드에 어떤 물건이라도 걸어 유모차의 안정성에 영향을 주지 마십시오.
- ! 아이가 유모차에 있을 때 유모차를 들지 마십시오.
- ! 장바구니에 아이를 태우지 마십시오.
- ! 낙상 방지를 위해, 아이 혼자 유모차에 올라타지 않도록 하십시오.
- ! 손가락 끼임 방지를 위해, 제품을 접거나 펼 때 아이가 멀리 떨어져 있도록 하십시오.
- ! 사고를 피하기 위해, 제품을 접거나 펼 때 아이가 멀리 떨어져 있도록 하십시오.
- ! 아이의 안전을 위해, 모든 부품들이 조립되고 알맞게 장착되도록 하십시오.
- ! 목 졸림 방지를 위해, 캐노피나 레인커버로부터 아이가 멀리 떨어질 수 있도록 하시기 바랍니다.
- ! 유모차를 세워 놓을 때는 항상 브레이크로 잠가 두시기 바랍니다.
- ! 고장 나거나 손상을 입었다면, 제품 사용을 중단하시기 바랍니다.

- ! 걷는 속도에서만 유모차를 사용하시기 바랍니다. 이 제품은 조깅을 하기 위해 만든 제품이 아닙니다.
- ! 질식사 방지를 위해 제품 사용 전 비닐포장부분을 모두 제거하시기 바랍니다.
- ! 이 제품은 달리거나 스케이트를 타기 위해 제작된 제품이 아닙니다.
- ! 신생아부터 사용하기 위해 제작된 유모차는 시트를 최대 각도로 눕어서 사용하시기 바랍니다.
- ! 잠금 장치를 사용하신 후 아이를 태우거나 내리시기 바랍니다. ! 캐리콧은 혼자 도움 없이 앉아 있을 수 없는 아이가 사용하기에 적합합니다. 캐리콧 사용가능 무게 : 9kg.
- ! 캐리콧을 장기간 사용해서는 안됩니다.
- ! 캐리콧과 같이 제공된 매트리스 이외의 다른 매트리스를 사용하거나 추가하지 마십시오. ! 본 제품은, 신생아 아이들이 안전벨트를 사용하여 탑승해야하는 제품으로 침대로 사용을 금합니다. 아이가 잠들면, 침대 또는 알맞은 유모차로 옮기시기 바랍니다.
- ! 유모차를 사용하지 않을 때에는 트레블 스트랩을 발 받침 주머니에 보관해 주세요

유모차 조립

(그림 1-12 참고 하세요)

제품을 조립하고 사용하시기 전에 이 설명서를 꼼꼼히 읽어 보시기 바랍니다.

유모차 열기

그림 ① - ④

! 사용하기 전에 유모차가 완전히 펼쳐지는지 확인하시기 바랍니다.

앞 바퀴 조립

그림 ⑤ - ⑥

뒷 바퀴 조립

그림 ⑦ - ⑩

! ⑨ 번 스냅 버튼을 눌러서 뒷바퀴 제거가 가능합니다.

! 브레이크 축과 프레임 부분에 장바구니를 돌려서 ⑩번 처럼 스냅 버튼으로 잠그시기 바랍니다.

안전 가드 사용

그림 ⑪ - ⑬

⑭번 그림처럼 완전히 유모차에 장착하시기 바랍니다.

유모차 작동

버클 사용

그림 15 - 16

버클 해체

가운데 버튼을 눌러 버클을 풉니다. 15

버클 잠그기

어깨 벨트와 허리 벨트를 매칭합니다. 16 - 1 그리고 중앙 버클을 클릭 합니다. 16 - 2 “딸깍” 소리가 들린다면, 바르게 잠긴 것입니다. 16 - 3

! 떨어지거나 미끄러져 부상 당하는 것을 방지하기 위해, 항상 아이가 안전벨트를 착용하도록 합니다.

! 아이가 편안하게 앉을 수 있도록 확인 합니다. 아이와 어깨 벨트 사이의 공간은 손 하나 두께 정도가 적당합니다.

! 어깨 벨트를 교차해서 사용하지 마십시오. 아이의 목을 압박할 수 있습니다.

어깨 및 허리 벨트 사용

그림 17 - 20

! 의자에 앉은 후, 어깨 벨트와 허리 벨트의 높이와 길이가 알맞게 착용 됐는지 확인 합니다.

17 - 1 어깨 벨트 앵커 A

17 - 2 어깨 벨트 앵커 B

큰 아이를 위해서는 어깨 벨트 앵커 A를 사용하여 가장 높은 어깨 슬롯을 사용합니다. 아이가 작다면, 어깨 벨트 앵커 B를 사용하여 가장 낮은 어깨 슬롯을 사용합니다.

18 - 1 아이의 어깨 높이에 맞게 슬롯을 통해 다시 넣습니다 벨트 높이 변경을 위해 길이 조절을 사용합니다. 18 - 2, 어깨 스트랩이 윗부분 앵커 위치를 통해 연결이 되었는지 확인하십시오. 19 어깨 안전벨트 높이가 설정되면 벨트를 반드시 장착해 주세요.

등 받침의 가장 높은 슬롯을 통해 고정 되어야 합니다. 슬라이드 조절기를 사용하여 어깨 벨트 길이를 변경하십시오. 20 - 1

허리 벨트를 당기면서 버튼 20 - 2를 눌러 적절한 길이로 조절하실 수 있습니다. 20 - 3

등받이 조절

그림 21 - 22

등받이 각도 눕히기

등받이 각도 조절 탭을 당겨서 등받이를 뒤로 젖힙니다. 21

! 아이가 유모차에서 앉아 있는 경우, 등받이 부분을 다른 손으로 받쳐 주세요.

등받이 각도 세우기

등받이 각도 조절 탭에 있는 왼쪽, 오른쪽 끈을 당기며 등받이 부분을 세워줍니다. 22

! 사용을 위해 알맞게 각도 조절을 하시기 바랍니다.

발 받침 조절

그림 23

발 받침 조절은 2단계가 있습니다.

발 받침 올리기

발 받침을 올리기 위해서 위로 올린 후 “딸깍” 소리가 난다면 잘 조절 되었다는 의미입니다.

발 받침 내리기

양쪽 발 받침 옆 부분 조절 버튼을 누른 후 23 - 1, 발 받침을 아래로 내리면 됩니다. 23 - 2

앞 바퀴 회전 잠금 장치 사용

그림 24

앞 바퀴 회전 잠금 장치를 위로 올려서 회전이 가능하도록 합니다. 24

참고

지면이 고르지 않은 길을 갈때 회전 잠금 장치 기능을 사용하기를 권장합니다.

브레이크 사용

그림 25 - 26

바퀴를 잠그기 위해, 브레이크 레버를 아래로 내립니다. 25

바퀴 잠금을 풀기 위해, 브레이크 레버를 위로 올립니다. 26

참고 유모차를 사용 하지 않을 때는 브레이크를 항상 채우시기 바랍니다.

캐노피 사용

그림 27

캐노피를 열거나 접을 때, 앞으로 당기고 뒤로 접습니다. 27

어깨 벨트 커버 및 거랑이 벨트 커버 사용

웨빙에서 어깨 벨트 커버 및 거랑이 벨트 커버를 제거 할 수 있으며, 반대로 하시면 다시 부착 가능합니다.

핸들 조절

그림 28

핸들을 3단계로 조정 가능합니다.

핸들을 조정하려면 좌우 핸들을 동시에 누르십시오, 조정 버튼을 동시에 누른 상태에서 핸들을 원하시는 위치에 고정하여 사용 가능합니다.

유모차 접기

그림 29 - 36

! 유모차를 접기 전에 캐노피를 접기 바랍니다.

29 - 1 보조 잠금 장치를 누르고 한 손 폴딩 버튼 29 - 2를 누릅니다. 그리고 유모차 접는 방향으로 누릅니다.

! 트레블 백을 잡으면 유모차가 같이 따라올 것 입니다. 36

액세서리 사용

액세서리는 따로 판매 되거나 지역에 따라 제공되지 않을 수 있습니다.

조이 카시트 사용하기

그림 37 - 46

i-level, gemm, 또는 i-gemm 등 JOIE 인펀트 카시트를 사용 할 경우 다음 설명을 따르시기 바랍니다.

! 안전 가드를 제거하고 인펀트 카시트를 장착해 주시기 바랍니다.

! 등받이 각도를 가장 낮게 조절해주시기 바랍니다.

! 인펀트 카시트 사용에 문제가 있을 경우 관련 카시트 설명서를 참고하시기 바랍니다.

! 인펀트 카시트를 장착한 채로 유모차를 접지 마십시오

레인커버 사용

그림 47

레인 커버 장착을 위해 유모차 위에 덮습니다. 그리고 스냅 버튼과 후크를 사용하여 장착합니다.

! 레인 커버 사용 전에 등받이 각도가 가장 낮은 단계로 조절 되었는지 확인하시고, 인펀트 카시트는 장착되었는지 확인 하시기 바랍니다.

! 레인 커버 사용시, 항상 통풍이 되는지 확인하시기 바랍니다.

! 사용하지 않을 때는, 레인 커버를 잘 닦아서 접기 전에 말려 주시기 바랍니다.

! 레인 커버 부착 상태로 유모차를 접지 마시기 바랍니다.

! 더운 날씨에 유모차를 사용하여 아이를 태우지 마시기 바랍니다.

메인 시트 및 커버 제거

그림 48 - 62

1. 순서에 맞추어 48 - 62 메인 시트 및 커버를 제거하시기 바랍니다.
 - ! 제거할 때 캐노피 와이어를 잘 보관하시기 바라며, 재 장착 시 꼭 캐노피 와이어를 사용하여 조립하시기 바랍니다.
2. 메인 시트 및 커버를 장착할 때 참조한 그림을 반대로 참조하여 조립하시면 됩니다.

유지 및 관리

그림 63

- ! 차가운 물을 사용하여 제거한 시트 패드를 세탁하시고 자연건조 시키시기 바랍니다. 표백제를 사용하지 마십시오. 유모차 원단 라벨에 적혀 있는 방법에 따라 세탁해 주시기 바랍니다.
- ! 유모차 프레임 청소를 위해 집에서 사용 가능한 비누만 사용하여 미온수로 세척합니다. 표백제나 세제 사용을 금합니다. 정기적으로 마른 헝겊으로 플라스틱 부분을 닦아 주시기 바랍니다. 유모차가 물에 닿았을 시 녹 방지를 위해 항상 금속 부분을 말려 주시기 바랍니다.
- ! 때때로 유모차 스크류 부분이 풀렸는지, 소재가 바래 지거나 마감이 풀렸는지 등을 확인해 주시기 바랍니다. 필요하다면 부품 교체를 하시기 바랍니다.
- ! 직사광선에 오래 노출 되면 색이 바래 지거나 변질될 수 있습니다.
- ! 유모차가 젖었다면, 후드를 열어 완전히 말린 후 보관하시기 바랍니다.
- ! 바퀴에서 소리가 난다면, 가벼운 오일 (실리콘 스프레이, 녹 방지제 오일, 또는 미싱 오일) 을 사용하여 바퀴 축과 바퀴 조립 부분에 도포해 주시기 바랍니다. 63

IT Benvenuto a Joie™

Congratulazioni per essere entrato a far parte della famiglia Joie! Siamo lieti di partecipare al tuo viaggio con il bambino. Con Joie Tourist™ siete sicuri di utilizzare un passeggino di alta qualità, totalmente certificato, approvato in base alle normative di sicurezza europee EN 1888-1:2018. Questo prodotto è adatto per bambini di peso inferiore ai 15 kg.

Leggere attentamente questo manuale e attenersi a ogni procedura per garantire un viaggio comodo e la migliore protezione per il bambino.

IMPORTANTE - Conservare le presenti istruzioni per riferimenti futuri.

Visitate il nostro sito joiebaby.com per scaricare i manuali e conoscere altri eccezionali prodotti Joie!

Per informazioni più dettagliate, si prega di visitare il nostro sito web all'indirizzo joiebaby.com

Indice

Figure	1-12
AVVERTENZA	211
Montaggio del passeggino	214
Apertura del passeggino	214
Montaggio e rimozione della ruota anteriore	214
Montaggio e rimozione della ruota posteriore	214
Montaggio e rimozione del bracciolo	214

Funzionamento del passeggino	215
Uso della fibbia	215
Uso delle cinture per le spalle e inguinali	215
Regolazione dello schienale	216
Regolazione del supporto per la gamba	216
Uso dei bloccaggi anteriori orientabili	217
Uso dei freni	217
Uso del tettuccio	217
Uso della copertura cintura per le spalle e della copertura dell'imbracatura spartigambe	217
Regolazione della maniglia	217
Chiusura del passeggino	218
Uso degli accessori	218
Uso con sistema di ritenuta per bambini o culla portatile	218
Uso della copertura antipioggia	218
Rimozione del rivestimento imbottito	219
Cura e manutenzione	219

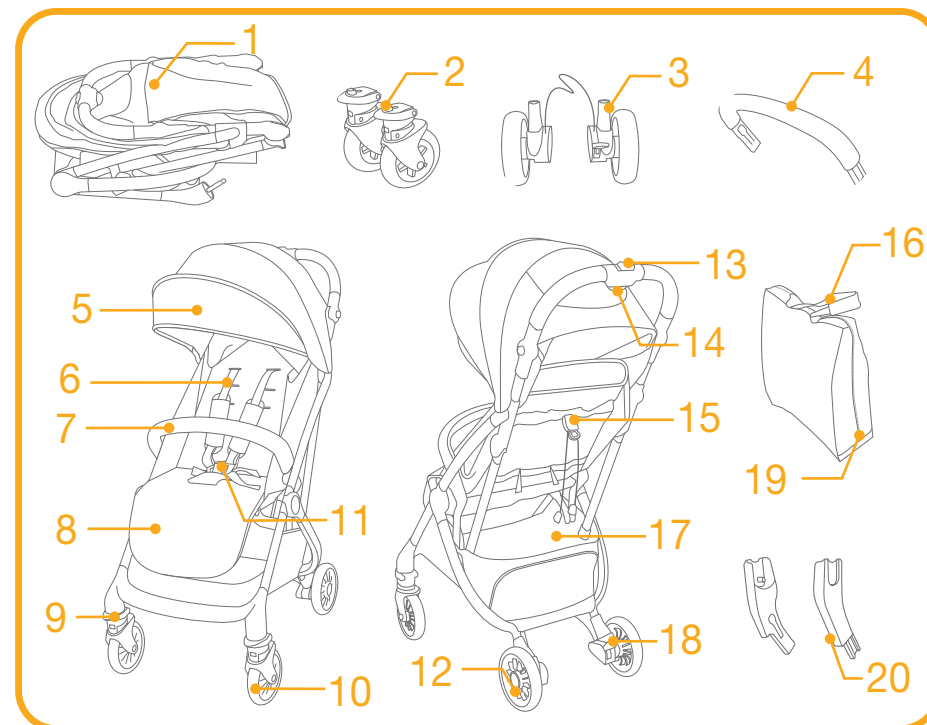
Emergenza

In caso di emergenza o incidenti, è estremamente importante portare il bambino al pronto soccorso per cure mediche immediate.

Informazioni sul prodotto

Leggere tutte le istruzioni del presente manuale prima di usare il prodotto. In caso di ulteriori domande, rivolgersi al rivenditore. Alcune funzioni potrebbero variare in base al modello.

Prodotto	Passeggino Tourist
Adatto a	Bambini di peso inferiore a 15 kg (nascita - 36 mesi)
Materiali	Plastica, metallo, tessuto
N. brevetto	In attesa di brevetto
Prodotto in	Cina
Marca	Joie
Sito web	www.joiebaby.com
Produttore	Allison Baby UK Ltd



Elenco parti

Assicurarsi che tutti i pezzi siano disponibili prima dell'assemblaggio. Se manca qualche pezzo, contattare il rivenditore locale. Per l'assemblaggio non è necessario nessun attrezzo.

1 Telaio passeggino	11 Fibbia
2 Ruota anteriore	12 Ruota posteriore
3 Ruota posteriore	13 Bloccaggio secondario
4 Bracciolo	14 Maniglia di chiusura con una mano
5 Tettuccio	15 Regolatore schienale
6 Tracolla	16 Cinghia
7 Bracciolo	17 Cestello di conservazione
8 Supporto per la gamba	18 Leva del freno
9 Bloccaggi orientabili	19 Borsa per il trasporto
10 Ruota anteriore	20 Adattatore

Accessori

(potrebbero non essere inclusi)

Copertura antipioggia

Gli accessori potrebbero essere venduti separatamente o non essere disponibili a seconda della regione.



AVVERTENZA

- ! AVVERTENZA Utilizzare sempre il sistema di sicurezza. Utilizzare correttamente le cinture di sicurezza e i sistemi di ritenuta.
- ! AVVERTENZA Prima dell'uso, assicurarsi che tutti i dispositivi di blocco siano inseriti.
- ! AVVERTENZA Evitare che i bambini giochino con questo prodotto.
- ! AVVERTENZA Prima dell'uso, assicurarsi che la culla o i dispositivi di bloccaggio del seggiolino per auto siano correttamente inseriti.
- ! Il prodotto deve essere montato solo da adulti.
- ! Usare il passeggino con bambini di peso inferiore a 15 kg. Se il bambino è troppo grande, si potrebbero causare danni al passeggino.
- ! Per evitare una condizione di instabilità pericolosa, non introdurre oltre 4,5 kg nel cestello di conservazione.
- ! Non lasciare mai il bambino incustodito. Sorvegliare sempre il bambino mentre si trova nel passeggino.
- ! Usare il passeggino con un solo bambino per volta. Non collocare borse, sacchetti, pacchi o elementi accessori sulla maniglia o sul tettuccio.
- ! Gli accessori non approvati dal produttore non devono essere usati. Utilizzare solo le parti di ricambio fornite o consigliate dal produttore.
- ! Non utilizzare mai accessori, parti o componenti non prodotti o approvati dal produttore. Leggere attentamente il manuale di istruzioni.
- ! Leggere tutte le istruzioni del manuale prima di usare il prodotto. Conservare questo manuale per riferimenti futuri. La mancata osservanza delle seguenti avvertenze e istruzioni potrebbe causare lesioni gravi o decesso.
- ! Per evitare gravi lesioni a seguito di caduta o scivolamento, usare sempre le cinture.
- ! Assicurarsi che il corpo del bambino sia lontano dalle parti in movimento quando si regola il passeggino.

- ! Assicurarsi che il passeggino sia completamente aperto o piegato prima che il bambino si avvicini ad esso.
- ! Il bambino potrebbe scivolare nelle aperture delle gambe ed essere strangolato se non si utilizzano le cinture.
- ! Non utilizzare mai il passeggino su scale o scale mobili.
- ! Tenere lontano oggetti caldi, liquidi e dispositivi elettronici.
- ! Evitare che il bambino si metta in piedi sul passeggino o si sieda nel passeggino con la testa rivolta verso la parte anteriore del passeggino.
- ! Non posizionare il passeggino su strade, pendii o aree pericolose.
- ! Per evitare il pericolo di strangolamento, non avvolgere oggetti con cavi intorno al collo del bambino, non sospendere cavi dal prodotto e non legare cavi sui giochi.
- ! Qualsiasi carico sulla maniglia, sul retro dello schienale e/o sui lati del passeggino influisce sulla stabilità del passeggino stesso.
- ! NON sollevare il passeggino con il bambino all'interno.
- ! NON utilizzare il cestello di conservazione per il trasporto del bambino.
- ! Per evitare che si rovesci, evitare che il bambino si arrampichi sul passeggino. Sollevare sempre il bambino dentro e fuori dal passeggino.
- ! Per evitare di intrappolarsi le dita, fare attenzione quando si piega e chiude il passeggino.
- ! Per evitare lesioni, assicurarsi che il bambino venga allontanato quando si piega o si apre il passeggino.
- ! Per garantire la sicurezza del bambino, assicurarsi che tutte le parti siano assemblate e fissate correttamente prima di usare il passeggino.
- ! Per evitare lo strangolamento, assicurarsi che il bambino sia lontano dal tettuccio e dalla copertura antipioggia.
- ! Inserire sempre i freni quando si parcheggia il passeggino.
- ! Cessare di utilizzare il passeggino, se danneggiato o rotto.

- ! Il passeggino deve essere utilizzato esclusivamente per passeggiare. Questo prodotto non deve essere utilizzato quando si pratica jogging.
- ! Per evitare il soffocamento, rimuovere il sacchetto di plastica e i materiali di imballaggio prima di usare questo prodotto. Il sacchetto di plastica e i materiali di imballaggio devono quindi essere tenuti lontano dalla portata dei bambini.
- ! Questo prodotto non è adatto per correre o pattinare.
- ! Per i passeggini concepiti per i neonati, si consiglia di utilizzare la posizione più inclinata.
- ! Il dispositivo di parcheggio deve essere inserito quando si mette o toglie il bambino.
- ! La culla portatile è adatta per un bambino che non è ancora in grado di stare seduto da solo, si rovescia e non può rialzarsi con le mani e mettersi in ginocchio. Peso massimo del bambino: 9 kg.
- ! La culla portatile NON deve essere utilizzata per sonni lunghi.
- ! NON utilizzare o aggiungere materassini diversi da quello fornito con la culla portatile.
- ! Per i sistemi di ritenuta per bambini utilizzati in combinazione con un telaio, questo veicolo non sostituisce una culla o un letto. Se il bambino ha necessità di dormire deve essere messo nella sua culla o nel lettino.
- ! Conservare la cinghia nella parte posteriore della tasca di supporto per la gamba quando non viene utilizzata.

Montaggio del passeggino

(Fare riferimento alle figure a pagina 1-12)

Leggere tutte le istruzioni del presente manuale prima di montare e usare il prodotto.

Apertura del passeggino

vedere le figure ① - ④

! Verificare che il passeggino sia completamente bloccato prima di continuare ad utilizzarlo.

Montaggio e rimozione della ruota anteriore

vedere le figure ⑤ - ⑥

Montaggio e rimozione della ruota posteriore

vedere le figure ⑦ - ⑩

! Le ruote posteriori possono essere smontate premendo i pulsanti a scatto. ⑨

! Avvolgere il cestello di conservazione attorno al telaio e l'asse freni, quindi farli scattare in posizione. ⑩

Montaggio e rimozione del bracciolo

vedere le figure ⑪ - ⑬

Il passeggino completamente assemblato è mostrato in ⑭

Funzionamento del passeggino

Uso della fibbia

vedere le figure 15 - 16

Rilascio della fibbia

Premere il pulsante centrale per rilasciare la fibbia. 15

Chiusura della fibbia

Far combaciare la fibbia della cintura addominale con quella delle spalle 16 - 1, quindi fare clic nella fibbia centrale. 16 - 2

Quando si sente il "clic" significa che la fibbia è bloccata. 16 - 3

- ! Per evitare gravi lesioni a seguito di caduta o scivolamento, allacciare il bambino con le cinture.
- ! Assicurarsi che il bambino sia perfettamente allacciato. Lo spazio tra il bambino e la cintura per le spalle deve essere di circa lo spessore di una mano.
- ! Non incrociare le cinture per le spalle. Ciò provocherà pressione sul collo del bambino.

Uso delle cinture per le spalle e inguinali

vedere le figure 17 - 20

! Per proteggere il bambino dalla caduta, dopo averlo posizionato nel sedile, verificare che le cinture per le spalle e inguinali siano all'altezza e della lunghezza conformi.

17 - 1 Punto di attacco della cintura per le spalle A

17 - 2 Dispositivo di regolazione scorrimento

Per i bambini più grandi, utilizzare il punto di attacco della cintura per le spalle A e le fessure superiori per le spalle. Per i bambini più piccoli, utilizzare il punto di attacco della cintura per le spalle A e le fessure inferiori per le spalle.

Per regolare la posizione della cintura per le spalle, attorcigliare le bretelle dalla posizione di ancoraggio superiore. 18 - 1 Quindi, inserire le bretelle attraverso la parte anteriore del sedile, regolare l'altezza come richiesto e reinserirla. 18 - 2

Assicurarsi che le bretelle siano ora riposta nella posizione di ancoraggio superiore. 19

! Una volta impostata l'altezza delle bretelle, le bretelle DEVONO anche essere fissate attraverso la fessura più alta dello schienale.

Utilizzare il dispositivo di regolazione scorrimento per modificare la lunghezza delle cinture. 20 - 1

Premere il pulsante 20 - 2 mentre si tira la cintura inguinale alla lunghezza adeguata. 20 - 3

Regolazione dello schienale

vedere le figure 21 - 22

Reclinare lo schienale

Tirare la linguetta per reclinare lo schienale. 21

! Tenere lo schienale con l'altra mano se un bambino è già seduto nel passeggino.

Solleverare lo schienale

Tenere entrambe le corde a destra e a sinistra, quindi spingere verso l'alto il regolatore dell'angolo per sollevare lo schienale. 22

! Assicurarsi che la reclinazione sia regolata correttamente per l'uso.

Regolazione del supporto per la gamba

vedere le figure 23

Il supporto per la gamba ha 2 posizioni.

Sollevamento del supporto per la gamba

Per sollevarlo, basta spingerlo verso l'alto. Quando si sente il "clic" significa che il supporto per la gamba è completamente bloccato.

Abbassamento del supporto per la gamba

Premere i pulsanti di regolazione su entrambi i lati del supporto per la gamba 23 - 1 e ruotarlo verso il basso. 23 - 2

Uso dei bloccaggi anteriori orientabili

vedere le figure 24

Sollevarre i bloccaggi anteriori orientabili per mantenere la direzione di movimento. 24

Suggerimento Raccomandiamo di utilizzare i bloccaggi orientabili sulle superfici irregolari.

Uso dei freni

vedere le figure 25 - 26

Per bloccare le ruote, portare la leva del freno verso il basso.

25

Per rilasciare le ruote, basta sollevare verso l'alto la leva del freno. 26

Suggerimento Applicare sempre il freno di stazionamento quando il passeggino non è in movimento.

Uso del tettuccio

vedere le figure 27

Il tettuccio può essere aperto o piegato, tirato in avanti o all'indietro. 27

Uso della copertura cintura per le spalle e della copertura dell'imbracatura spartigambe

La copertura della cintura per le spalle o la copertura dell'imbracatura spartigambe possono essere rimosse dalle cinghie. Per montare la copertura cintura per le spalle e la copertura dell'imbracatura spartigambe, adottare la procedura inversa.

Regolazione della maniglia

vedere le figure 28

La maniglia può essere regolata in 3 posizioni.

Per regolare la maniglia, premere contemporaneamente i pulsanti di regolazione sinistro e destro della maniglia e ruotare la maniglia nella posizione desiderata.

Chiusura del passeggino

vedere le figure 29 - 36

! Piegare il tettuccio prima di piegare il passeggino.

Spingere il bloccaggio secondario 29 - 1 e premere il pulsante di chiusura con una mano 29 - 2. Spingere avanti il passeggino per piegarlo.

! Afferrare la borsa per il trasporto per portare con sé il passeggino. 36

Uso degli accessori

Gli accessori potrebbero essere venduti separatamente o non essere disponibili a seconda della regione.

Uso con sistema di ritenuta per bambini o culla portatile

vedere le figure 37 - 46

Quando si utilizza il sistema di ritenuta per bambini Joie i-Level, gemm, i-Gemm o Ramble, consultare le seguenti istruzioni.

! In caso di problemi con l'uso del sistema di ritenuta per bambini o della culla portatile, fare riferimento ai relativi manuali di istruzioni.

! Non piegare il passeggino se il sistema di ritenuta per bambini o la culla portatile sono ancora fissati.

Uso della copertura antipioggia

vedere le figure 47

Per montare la copertura antipioggia, posizionarla sopra il passeggino, quindi fissare le cuciture e le chiusure in velcro sulla copertura antipioggia.

! Prima di utilizzare la copertura antipioggia, assicurarsi che lo schienale sia stato regolato alla posizione inferiore e che il sistema di ritenuta per bambini sia stato allacciato.

! Quando si usa la copertura antipioggia, controllare sempre la ventilazione.

! Se non viene utilizzata, controllare che la copertura antipioggia sia pulita e asciutta prima di ripiegarla.

! Non piegare il passeggino dopo aver montato la copertura antipioggia.

! Non far sedere il bambino nel passeggino con la copertura antipioggia montata quando fa caldo.

Rimozione del rivestimento imbottito

vedere le figure 48 - 62

1. Seguire i passi 48 - 62 per rimuovere il rivestimento imbottito.

! Conservare correttamente il filo del tettuccio dopo averlo rimosso e inserire il filo del tettuccio durante il montaggio del tettuccio.

2. Per inserire di nuovo il rivestimento imbottito, ripetere le procedure di cui sopra in ordine inverso.

Cura e manutenzione

vedere le figure 63

! L'imbottitura reversibile può essere lavata in acqua fredda e lasciata sgocciolare fino ad asciugatura. Non usare candeggina. Fare riferimento all'etichetta con le istruzioni di lavaggio per pulire il tessuto del passeggino.

! Per pulire la struttura del passeggino, utilizzare solo una soluzione di sapone e acqua calda. Non usare candeggina o detergente. Pulire periodicamente le parti in plastica con un panno umido. Asciugare sempre le parti di metallo per evitare la formazione di ruggine se il passeggino entra in contatto con l'acqua.

! Controllare periodicamente la presenza di viti allentate, componenti usurati, materiali strappati o scuciti nel passeggino. Se necessario, sostituire o riparare i componenti.

! Un'eccessiva esposizione alla luce del sole potrebbe causare lo sbiadimento o la deformazione dei componenti.

! Se il passeggino si bagna, aprire la capottina e lasciarlo asciugare completamente prima di riporlo.

! Se le ruote cigolano, utilizzare un olio leggero (ad esempio, spray al silicone, olio antiruggine o olio per macchine da cucire). È importante oliare l'assieme asse e ruota. 63

! Quando si utilizza il passeggino in spiaggia, pulirlo completamente dopo l'uso per rimuovere sabbia e sale dai meccanismi e dall'assieme ruota.

HU Üdvözli a Joie™

Gratulálunk, hogy Ön is a Joie család tagja lett! Nagyon örülünk, hogy részesei lehetünk a kisgyereke életútjának. Amikor a Joie Tourist™ gyerekkocsival utazik, Ön egy kitűnő minőségű, teljes mértékben jóváhagyott gyerekkocsit használ, amely megfelel az EN 1888-1:2018 szabványnak. Ez a termék megfelelő 15kg alatti gyerekek számára. Kérjük figyelmesen olvassa el ezt a kézikönyvet és kövesse a lépéseket, hogy kényelmes utazást és a legjobb védelmet biztosítsa a gyermekének.

FONTOS - Tartsa meg ezeket az utasításokat a jövőbeni használatra.

A kézikönyvek letöltéséhez látogasson el a joiebaby.com címre, itt láthat további érdekes Joie termékeket!

Garanciális információkért kérjük látogasson el weboldalunkra a joiebaby.com címen.

Tartalom

Ábra	1-12
FIGYELMEZTETÉS	225
Gyerekkocsi összerakása	228
Gyerekkocsi kinyitása	228
Első kerék összerakása és leszerelése	228
Hátulsó kerék összerakása és leszerelése	228
Rakja össze és szerelje le a karfát	228

Gyerekkocsi használata	229
Használja a csatot	229
Használja a váll és csípőhámszíjat	229
Háttámla állítása	230
Lábtartó állítása	230
Első elfordító zár használata	231
Fék használata	231
Ülés használata	231
A vállhámszija borító és láb közötti hámszija használata	231
A fogantyú állítása	231
Hajtsa össze a gyerekkocsit	232
Tartozékok használata	232
Használat csecsemőhordozóval vagy hordozókosárral	232
Az eső elleni borító használata	232
A puha belsők eltávolítása	233
Gondozás és karbantartás	233

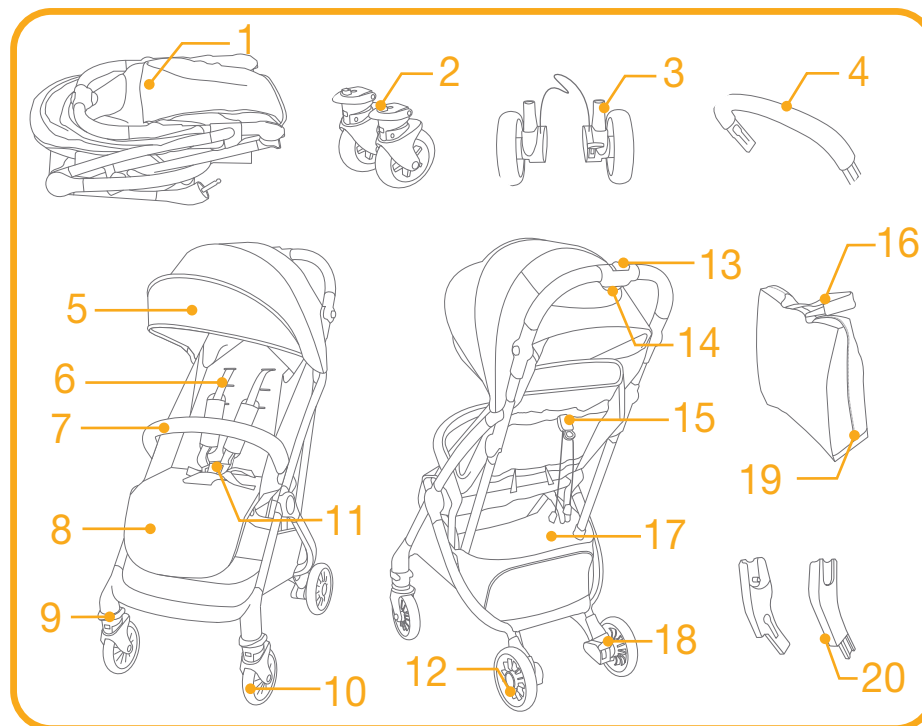
Sürgősség

Sürgősség vagy baleset esetén a legfontosabb, hogy a gyerekeknek viselje gondját azonnali elsősegéllyel vagy orvosi kezeléssel.

Termékinformáció

A termék használata előtt olvassa el az útmutatóban lévő összes utasítást. Amennyiben további kérdései vannak, tanácskozzon közvetlenül a forgalmazóval. Egyes funkciók modellfüggőek.

Termék	Tourist gyerekkocsi
Megfelelő	15kg alatti gyerekeknek (születéstől - 36 hónapos korig)
Anyag	Műanyag, fém, szövet
Szabványszám	Szabvány fenntartott
Készült	Kínában
Márkanév	Joie
Weboldal	www.joiebaby.com
Gyártó	Allison Baby UK Ltd



Alkatrészek listája

Győződjön meg, hogy minden alkatrész rendelkezésre áll, mielőtt nekilát az összeszerelésnek. Amennyiben valamelyik alkatrész hiányzik, kérjük vegye fel a kapcsolatot a helyi kereskedővel. Az összeszereléshez nincs szükség semmilyen szerszámra.

1 Gyerekkocsi keret	11 Csat
2 Első kerék	12 Hátsó kerék
3 Hátsó kerék	13 Másodlagos zár
4 Karfa	14 Egy kézzel összehajtható fogantyú
5 Ülés	15 Háló állító
6 Vállhámshíj	16 Hordozó szíj
7 Karfa	17 Tároló kosár
8 Lábtartó	18 Fékkar
9 Elfordító zár	19 Hordtáska
10 Első kerék	20 Adapter

Tartozékok

(lehet hogy nincsenek mellékelve)

Eső elleni borító

Tartozékokat árulhatnak külön vagy megtörténhet hogy nem elérhetők a régiótól függően.



FIGYELMEZTETÉS

- ! FIGYELEM Mindig használja az ülésrendszert. A biztonsági öveket és rögzítő rendszereket helyesen kell használni.
- ! FIGYELEM Használat előtt győződjön meg, hogy minden záró eszköz be van kapcsolva.
- ! FIGYELEM Ne engedje a gyermekét játszani ezzel a termékkel.
- ! FIGYELEM Használat előtt ellenőrizze, hogy a gyerekülés szerkezete és az ülés tartozék eszközei helyesen vannak összeszerelve.
- ! Az összeszerelést felnőtt személynek kell elvégeznie.
- ! Olyan gyerekkel használja a gyerekkocsit, akinek a súlya 15kg-nál kevesebb. A nem beleváló gyerek kárt okozhat a gyerekkocsiban.
- ! Hogy megelőzzön egy veszélyes, instabil helyzetet, ne tegyen 4,5 kg-nál nagyobb súlyt a tároló kosárba.
- ! Soha ne hagyja felügyelet nélkül a gyermeket. Mindig tartsa szem előtt a gyermeket amíg a gyerekkocsiban van.
- ! A gyerekkocsit egyszerre csak egy gyerekkel használja. Soha ne tegyen táskát, vásárlótáskát, csomagokat vagy más tartozék elemeket a fogantyúra vagy fedélre.
- ! A gyártó által nem jóváhagyott tartozékokat ne használja. Csak a gyártó által szállított vagy ajánlott cserealkatrészeket használja.
- ! Soha ne használjon olyan tartozékokat, alkatrészeket vagy részeket amelyeket nem a gyártó készített vagy engedélyezett. Kérjük olvassa el figyelmesen a kezelési útmutatást.
- ! Kérjük olvasson el minden útmutatást a kézikönyvben mielőtt használná a terméket. Kérjük tegye el a kezelési kézikönyvet a jövőbeni felhasználásra. Amennyiben figyelmen kívül hagyja a figyelmeztetéseket és útmutatásokat, ez komoly sérülést vagy halált okozhat.
- ! A kiesés vagy kicsúszás miatt bekövetkező komoly sérülések megelőzése érdekében mindig használja a biztonsági övet.
- ! Győződjön meg, hogy a gyerek teste nem akad be a mozgó alkatrészekbe amikor a gyerekkocsit állítja.
- ! Győződjön meg, hogy a gyerekkocsi teljesen ki van nyitva, vagy össze van csukva mielőtt a gyermeket a gyerekkocsi közelébe engedi.
- ! Ha nem használja a hámszíjakat, a gyerek becsúszhat a lábnyílásokba és becsípheti a kocsit.
- ! Soha ne használjon gyerekkocsit lépcsőkön vagy mozgólépcsőkön.
- ! Tartsa távol magas hőmérsékletű tárgyaktól, folyadékoktól és elektronikától.
- ! Soha ne engedje a gyermeknek hogy felálljon a gyerekkocsira vagy úgy üljön a gyerekkocsiba hogy a feje a kocsi eleje felé legyen.
- ! Soha ne hagyja a gyerekkocsit az úton, lejtőkön vagy veszélyes zónákban.
- ! Az esetleges fulladások megelőzése érdekében NE tegyen zsinórral ellátott tárgyakat a gyermek nyaka köré, ne függessen fel zsinórokat a gyerekágyra, és ne kössön zsinórokat a játékokra.
- ! Bármilyen teher amit a fogantyúra, a háttámlára és/ vagy a jármű oldalára helyez, a gyerekkocsi stabilitását befolyásolhatja.
- ! NE emelje fel a gyerekkocsit amíg a gyermek a kocsiban van.
- ! NE használja a tároló kosarat gyerekhordozónak.
- ! Ahhoz, hogy megelőzze a feldőlést, soha ne hagyja a gyermeket felmászni a gyerekkocsira. Mindig emelje be és ki a gyermeket a gyerekkocsiból.
- ! Kerülje el az ujj becsípését, figyeljen oda amikor összehajtja vagy kinyitja a gyerekkocsit.
- ! A sérülések elkerülése érdekében bizonyosodjon meg, hogy a gyermek távol van tartva amikor összehajtja vagy kinyitja a terméket.
- ! A gyermek biztonságának érdekében kérjük győződjön meg, hogy minden alkatrész össze van szerelve és megfelelően meg van húzva mielőtt a gyerekkocsit használja.
- ! Ahhoz, hogy megelőzze a fulladást, győződjön meg hogy a gyermek távol van az üléstől vagy eső elleni borítótól.

- ! Mindig használja a fékeket amikor leparkolja a gyerekkocsit.
- ! Ne használja tovább a gyerekkocsit ha sérült vagy törött.
- ! A gyerekkocsit csak lépésben használja. Ez a termék nem kocogásra készült.
- ! A fulladás elkerülése érdekében távolítsa el a műanyag zsákokat és a csomagolóanyagokat mielőtt használná a terméket. A műanyag zsák és a csomagolóanyagot tartsa távol csecsemőktől és gyerekektől.
- ! Ez a termék nem megfelelő kocogásra vagy görkorcsolyázásra.
- ! A születéstől használható gyerekkocsikat ajánlott a legjobban megdöntött helyzetben használni újszülött gyerekeknél.
- ! A parkoló eszközt kapcsolja be amikor behelyezi és kiveszi a gyereket.
- ! A hordozó kosár csak olyan gyerek számára megfelelő aki nem tud segítség nélkül ülni, átfordulni és nem tudja magát felnyomni térdre és könyökre. A gyerek maximális súlya: 9kg.
- ! A hordozó kosár NEM használható hosszú alvásra.
- ! NE használjon vagy ne adjon hozzá semmilyen matracot, mászt mint amit a hordozó kosárral szállítottak.
- ! Az alvázzal együtt használt csecsemőhordozó esetén ez a jármű nem helyettesíti a kosarat vagy ágyat. Amennyiben a gyerekeknek alvásra van szüksége, egy megfelelő kocsiba, kosárba vagy ágyba kell helyezni.
- ! Kérjük tartsa a hordozószíjat a hátsó lábtartó zsebben amikor nem használja.

Gyerekkocsi összerakása

(Lásd az ábrákat az 1-12 oldalon levő ábrákat)

A termék használata és összeszerelése előtt kérjük olvassa el az útmutatóban lévő összes utasítást.

Gyerekkocsi kinyitása

lásd a képeket ① - ④

- ! Ellenőrizze hogy a gyerekkocsi teljesen kinyitva rögzült, mielőtt tovább használná.

Első kerék összerakása és leszerelése

lásd a képeket ⑤ - ⑥

Hátulsó kerék összerakása és leszerelése

lásd a képeket ⑦ - ⑩

- ! A hátsó kerekek leszerelhetők a gombok megnyomásával. ⑨
- ! Csavarja a tartókosarat a keret és a féktengely köré, majd pattintsa a helyére. ⑩

Rakja össze és szerelje le a karfát

lásd a képeket ⑪ - ⑬

A teljesen összeszerelt gyerekkocsit a ⑭-es ábra mutatja

Gyerekkocsi használata

Használja a csatot

lásd a képeket 15 - 16

Engedje ki a csatot

A csat kiengedéséhez nyomja meg a középső gombot. 15

Zárja le a csatot

Párosítsa a csípőhámszíjat a vállzárral 16 - 1, és kattintsa be a középső csatba. 16 - 2 A „kattanó” hang azt jelenti a csat teljesen zárva van. 16 - 3

! A kiesés vagy kicsúszás miatt bekövetkező komoly sérülések megelőzése érdekében mindig rögzítse a gyereket hámszíjakkal.

! Győződjön meg, hogy a gyerek megfelelően biztosítva van. A gyerek és a vállhámszíz közötti távolság körülbelül egy kézvastagságnyi.

! Ne keresztezze a vállpántokat. Ez nyomást gyakorol a gyerek nyakára.

Használja a váll és csípőhámszíjat

lásd a képeket 17 - 20

! Ahhoz hogy a gyereket megvédje a kieséstől, miután a gyereket behelyezte az ülésbe, ellenőrizze, hogy a váll és csípőhámszíjak megfelelő magasságban vannak és megfelelő hosszúságúak.

17 - 1 Vállhámszíz rögzítő A

17 - 2 Csúszás állító

Nagyobb gyerek esetében használja az A vállhámszíz rögzítőt és a legmagasabb vállpánt nyílást. Kisebb gyerek esetében használja az A vállhámszíz rögzítőt és a legalacsonyabb vállpánt nyílást.

A vállhámszíz helyzetének állításához csavarja a hámszíjat a felső horog pozícióba. 18 - 1 Ezután fűzze át a szíjat az ülés elején, állítsa a magasságot ahogy szükséges és fűzze vissza 18 - 2

Győződjön meg, hogy a vállszíz a felső horog pozícióba van visszahelyezve. 19

! Miután a vállhámszíz magasságát beállította, a szíjnak MUSZÁJ a háttámla legmagasabb nyílásán keresztül rögzíteni.

Használja a csúszás állítót, hogy a hámszíz hosszán állítson. 20 - 1

Nyomja meg a gombot 20 - 2, miközben a csípőhámszíjat húzza a megfelelő hosszúságra. 20 - 3

Háttámla állítása

lásd a képeket 21 - 22

A háttámla döntése

Húzza meg a fület a háttámla megdöntéséhez. 21

! Tartsa egy kézzel a háttámlát ha már a gyereket beültette a gyerekkocsiba.

A háttámla emelése

Tartsa a jobb és bal oldali zsinórt és nyomja fel a szögállítót, hogy felemelje a háttámlát. 22

! Győződjön meg, hogy a döntés megfelelően van állítva a használathoz.

Lábtartó állítása

lásd a képeket 23

A lábtartónak két helyzete van.

Lábtartó emelése

A lábtartó felemeléséhez csak nyomja felfele. A „kattanó” hang azt jelenti a lábtartó teljesen zárva van.

Lábtartó leengedése

Nyomja meg az állító gombokat a lábtartó mindkét oldalán 23 - 1 és fordítsa a lábtartót lefele. 23 - 2

Első elfordító zár használata

lásd a képeket 24

Nyomja fel az első elfordító zárat, hogy megtartsa a mozgási irányt. 24

Tipp Egyenetlen felületen ajánlott az elfordító zárok használata.

A fék használata

lásd a képeket 25 - 26

A kerekek rögzítéséhez lépjen rá lefele a fékkarra. 25

A kerekek felengedéséhez csak emelje fel a fékkart. 26

Tipp Mindig állítsa be a parkoló féket amikor a gyerekkocsi nem mozog.

Ülés használata

lásd a képeket 27

Az ülés kinyitható vagy lehajtható, húzza előre vagy hátra. 27

A vállhámszíj borító és láb közötti hámszíj használata

A vállhámszíj borító vagy lábak közötti hámszíj borító eltávolítható a hálóról. A vállhámszíj borító és a lábak közötti hámszíj borító fordított lépésekben összeszerelhető.

A fogantyú állítása

lásd a képeket 28

A fogantyú három helyzetbe állítható

A fogantyú állításához nyomja meg egyszerre a bal és jobb oldali fogantyú állító gombot és fordítsa a fogantyút a kívánt helyzetbe.

A gyerekkocsi összehajtása

lásd a képeket 29 - 36

! Kérjük hajtsa le az ülést mielőtt összehajtaná a gyerekkocsit.

Nyomja meg a másodlagos zárat 29 - 1 és szorítsa meg az egy kézzel összehajtó gombot 29 - 2. Összehajtáshoz nyomja előre a gyerekkocsit.

! Grab Fogja meg a hordozótáskát, a gyerekkocsi követni fogja. 36

Tartozékok használata

Tartozékokat árulhatnak külön vagy megtörténhet hogy nem elérhetők a régiótól függően.

Használat csecsemőhordozóval vagy hordozókosárral

lásd a képeket 37 - 46

Amikor Joie i-Level, gemm, i-Gemm vagy Ramble gyereküléssel használja, kérjük olvassa el az alábbi utasításokat.

! Amennyiben problémája adódik a csecsemőhordozó vagy a hordozókosár használatával, kérjük olvassa el ezek kezelési útmutatóját.

! Kérjük ne hajtsa össze a gyerekkocsit, ha a csecsemőhordozó vagy a hordozókosár még mindig fel van szerelve.

Az eső elleni borító használata

lásd a képeket 47

Az eső elleni borító összeállításához helyezze a gyerekkocsi fölé, majd kapcsolja a össze a gombokat és a horog és hurokszorítókat az eső elleni borítón.

! Mielőtt az eső elleni borítót használná, kérjük győződjön meg, hogy a háttámla nincs a legalsó helyzetben és a csecsemőhordozó rögzítve van.

- ! Amikor használja az eső elleni borítót, kérjük mindig ellenőrizze a szellőzést.
- ! Amikor nem használja, kérjük ellenőrizze hogy az eső elleni borítót megtisztította és megszáritotta mielőtt összehajtja.
- ! Az eső elleni borító használatakor ne hajtsa össze a gyerekkocsit.
- ! Meleg időben ne tegye a gyereket a gyerekkocsiba ha az eső elleni borítót felszerelte.

A puha belsők eltávolítása

lásd a képeket 48 - 62

1. Kövesse az 48 - 62 lépéseket, hogy eltávolítsa a puha belsőket.
 - ! Kérjük őrizze meg az ülés huzalját miután eltávolította és össze kell rakja a huzalt mielőtt az ülést felszerelné.
2. A puha belsők újbóli felszereléséhez kérjük ismétlje meg a lépéseket fordított sorrendben.

Gondozás és karbantartás

lásd a képeket 63

- ! Az eltávolítható üléspárnát hideg vízben moshatja és akassza ki száradni. Ne fehérítse. A gyerekkocsi szövettel bevont részeinek tisztítását illetően tekintse meg a kezelésre vonatkozó címkén lévő utasításokat.
- ! A gyerekkocsi keretet kizárólag háztartási szappannal és meleg vízzel tisztítsa meg. Ne használjon fehérítőt vagy mosószert. Időszakosan törölje tisztára a műanyag részeket egy nedves puha ronggyal. Mindig szárítsa meg a fémrészeket, hogy megelőzze a rozsdázást, ha a gyerekkocsi vízzel érintkezett.
- ! Rendszeres időközönként ellenőrizze, hogy nincsenek-e meglazult csavarok, elhasználódott alkatrészek, illetve elszakadt anyagdarabok vagy varrások a gyerekkocsin. Szükség esetén cserélje le vagy javítsa meg az alkatrészeket.

- ! Túlzott napfény vagy hó hatására az alkatrészek kifakulhatnak vagy deformálódhatnak.
- ! Ha a gyerekkocsi nedves lesz, nyissa ki a fedelet és hagyja megszáradni tárolás előtt.
- ! Ha a kerekek nyikorognak, használjon olajat (pl. Szilikon spray, rozsdá gátló olaj vagy varrógépolaj). Fontos hogy az olaj a tengelyre és a kerékhez jusson. 63
- ! Ha a gyerekkocsit használja, tisztítsa meg teljesen a gyerekkocsit hogy eltávolítsa a homokot és sót a fék és kerékrendszerből.

CZ Vítá vás značka Joie™

Blahopřejeme vám - stali jste se členy rodiny Joie! Jsme nadšeni, že můžeme doprovázet vaše dítě na cestě. Joie Tourist™ Signature je kvalitní, plně certifikovaný kočárek schválený evropskými bezpečnostními normami EN 1888-1:2018. Tento produkt je vhodný pro děti o hmotnosti do 15 kg. Pozorně si přečtěte tento návod. Jeho dodržováním zajistíte pohodlnou jízdu a maximální ochranu svého dítěte.

Pro stažení návodů a více podrobností o vzrušujících výrobcích Joie nás navštivte na joiebaby.com!

Informace o záruce najdete na našem webu joiebaby.com

Obsah

Obrázky	1-12
VAROVÁNÍ	239
Sestavení kočárku	242
Otevřený kočárek	242
Montáž a sejmutí předního kolečka	242
Montáž a sejmutí zadního kolečka	242
Montáž a sejmutí opěrky rukou	242

Používání kočárku	243
Použití spony	243
Použití ramenního postroje a postroje do pasu	243
Úprava opěraku	244
Úprava opěrky nohou	244
Použití zámku natáčení předních koleček	245
Použití brzdy	245
Použití stříšky	245
Používání polstru ramenního postroje a rozkrokového postroje	245
Úprava držadla	245
Rozložení kočárku	246
Použití příslušenství	246
Používání se zádržným systémem pro novorozence nebo s hlubokým lůžkem	246
Použití pláštěnky	246
Sejmutí látkových částí	247
Péče a údržba	247

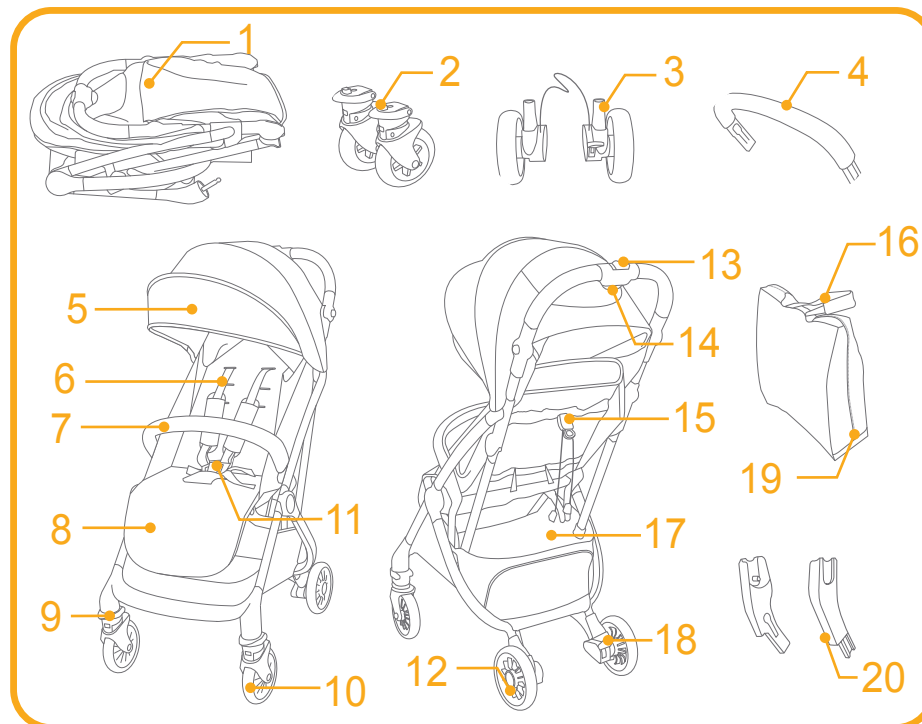
Stav nouze

V případě ohrožení nebo úrazu je nejdůležitější poskytnout vašemu dítěti okamžité ošetření a následnou lékařskou pomoc.

Informace o produktu

Před použitím výrobku si přečtěte všechny pokyny v tomto návodu. Máte-li další dotazy, kontaktujte prosím prodejce. Některé funkce se mohou lišit v závislosti na modelu.

Produkt	Kočárek Tourist
Vhodný pro	Dítě o hmotnosti do 15 kg (od narození do 36 měsíců)
Materiály	Plasty, kovy, textilie
Č. patentu	Čeká na udělení patentu
Vyrobeno v	Čína
Značka	Joie
Webová stránka	www.joiebaby.com
Výrobce	Allison Baby UK Ltd.



Seznam dílů

Před instalací se prosím ujistěte, že žádná část sestavy nechybí. V případě, že některá část chybí, kontaktujte prodejce. K sestavení nejsou zapotřebí žádné nástroje.

1	Rám kočárku	11	Přezka
2	Přední kolečko	12	Zadní kolečko
3	Zadní kolečko	13	Sekundární zámek
4	Opěrka rukou	14	Rukojeť pro rozložení jednou rukou
5	Stříška	15	Nastavení opěradla
6	Ramenní postroj	16	Popruh pro přenášení
7	Opěrka rukou	17	Úložný košík
8	Opěrka nohou	18	Páčka brzdy
9	Zámek natáčení koleček	19	Taška pro přenášení
10	Přední kolečko	20	Adaptér

Příslušenství

(Nemusí být součástí)

Pláštěnka

Příslušenství se může prodávat zvlášť nebo nemusí být k dispozici v závislosti na regionu.



VAROVÁNÍ

- ! VAROVÁNÍ Vždy používejte zádržný systém. Je nezbytné správně používat bezpečnostní pásy a zádržné systémy.
- ! VAROVÁNÍ Před použitím zkontrolujte, zda jsou všechny pojistky aktivovány.
- ! VAROVÁNÍ Zabraňte svému dítěti, aby si s tímto výrobkem hrálo.
- ! VAROVÁNÍ Před použitím zkontrolujte, zda jsou správně zajištěny upevňovací prvky korbičky nebo autosedačky.
- ! Sestavení smí provést pouze dospělá osoba.
- ! Tento kočárek používejte pouze s dítětem o hmotnosti do 15 kg. Při převážení nepřipoutaného dítěte dojde k poškození kočárku.
- ! Aby se zabránilo nebezpečné a nestabilní situaci, neumísťujte do úložného košíku více než 4,5 kg.
- ! VAROVÁNÍ Svě dítě v žádném případě neopouštějte bez dozoru. Když je vaše dítě v kočárku, mějte jej vždy na očích.
- ! Na tomto kočárku převázejte pouze jedno dítě najednou. V žádném případě neumísťujte peněženky, nákupní tašky, balíky nebo příslušenství na držadlo nebo stříšku.
- ! Je zakázáno používat příslušenství, které nebylo schváleno výrobcem. Je dovoleno používat pouze náhradní díly, které byly dodány nebo doporučeny výrobcem.
- ! V žádném případě nepoužívejte příslušenství, součásti nebo komponenty, které nebyly vyrobeny nebo schváleny výrobcem. Pozorně si přečtěte návod k použití.
- ! Před použitím tohoto výrobku si přečtěte všechny pokyny v tomto návodu. Uchovejte si tento návod pro budoucí použití. Nedodržení těchto výstrah a pokynů může vést k vážnému poranění nebo smrti.
- ! Aby se zabránilo pádu nebo vyklouznutí a vážnému zranění, vždy používejte bezpečnostní pás.
- ! Při nastavování kočárku zajistěte, aby se vaše dítě nacházelo mimo dosah pohyblivých částí.
- ! Než dítě pustíte ke kočárku, ujistěte se, že kočárek je zcela otevřený nebo rozložen.
- ! V případě nepoužití postroje může dítě sklouznout do otvorů pro nohy a zamotat se.
- ! V žádném případě nepoužívejte tento kočárek na schodech nebo eskalátorech.
- ! Uchovávejte mimo dosah předmětů o vysoké teplotě, kapalin a elektroniky.
- ! V žádném případě nedovolte svému dítěti, aby si na kočárku stoupalo nebo aby sedělo na kočárku hlavou dopředu.
- ! V žádném případě neumísťujte kočárek na silnice, svahy nebo nebezpečná místa.
- ! Aby se zabránilo uškrcení, NEUMÍSŤUJTE předměty s provázky okolo krku dítěte, nezavěšujte provázky z tohoto výrobku ani nepřivazujte provázky k hračkám.
- ! Jakákoli zátěž připevněná na držadlo a/nebo na zadní stranu opěraku a/nebo na boční strany vozidla sníží jeho stabilitu.
- ! NEZVEDEJTE kočárek, pokud je dítě v kočárku.
- ! NEVOZTE dítě v úložném košíku.
- ! Aby se zabránilo převrácení, v žádném případě nedovolte dítěti, aby na kočárek šplhalo. Při vkládání a vyjímání z kočárku dítě vždy zvedněte.
- ! Aby se zabránilo skřípnutí prstů, postupujte při rozkládání a skládání kočárku opatrně.
- ! VAROVÁNÍ Rozkládání a skládání tohoto výrobku provádějte v bezpečné vzdálenosti od dítěte, aby se zabránilo zranění.
- ! Aby byla zajištěna bezpečnost vašeho dítěte, před použitím kočárku zkontrolujte, zda jsou všechny díly řádně sestaveny a zajištěny.
- ! Aby se zabránilo uškrcení, zajistěte, aby vaše dítě bylo mimo dosah stříšky a pláštěnky.

- ! Při parkování kočárku vždy použijte brzdy.
- ! Pokud je kočárek poškozený nebo rozbitý, přestaňte jej používat.
- ! Tento kočárek lze používat pouze při rychlosti chůze. Tento výrobek není určen pro použití při kondičním běhání.
- ! Před používáním tohoto výrobku odstraňte igelitový sáček a obalové materiály, aby se zabránilo udušení. Igelitový sáček a obalové materiály je třeba uchovávat mimo dosah novorozenců a dětí.
- ! Tento výrobek není vhodný pro běhání nebo bruslení.
- ! Tento kočárek je určen pro používání od narození. Pro novorozence doporučujeme používat největší sklon.
- ! Při vkládání nebo vyjímání dětí musí být aktivováno parkovací zařízení.
- ! Toto hluboké lůžko je vhodné pouze pro dítě, které nedokáže sedět bez pomoci, nedokáže se přetočit a nedokáže se samo zvednout na ruku a kolenu. Maximální hmotnost dítěte: 9 kg.
- ! Hluboké lůžko NENÍ určeno pro dlouhodobé spaní.
- ! NEPOUŽÍVEJTE ani nepřidávejte jinou matraci, než byla dodána s tímto hlubokým lůžkem.
- ! Používáte-li zádržný systém pro novorozence v kombinaci s podvozkem, toto vozidlo nenahrazuje postýlku ani lůžko. Když vaše dítě potřebuje spát, uložte jej do vhodné hluboké korbey, postýlky nebo na vhodné lůžko.
- ! Nepoužívaný popruh pro přenášení uchovávejte v kapse v zadní části opěrky lýtek.

Sestavení kočárku

(Řiďte se prosím obrázky na straně 1-12)

Před montáží a použitím tohoto výrobku si přečtěte všechny pokyny v tomto návodu.

Otevřený kočárek

viz obrázky ① - ④

! Než budete pokračovat, zkontrolujte, zda je kočárek zcela zajištěný západkami

Montáž a sejmutí předního kolečka

viz obrázky ⑤ - ⑥

Montáž a sejmutí zadního kolečka

viz obrázky ⑦ - ⑩

! Zadní kolečka lze demontovat stisknutím pojistných tlačítek. ⑨

! Oviňte úložný košík okolo rámu a brzděné nápravy, a potom zacvakněte na místo. ⑩

Montáž a sejmutí opěrky rukou

viz obrázky ⑪ - ⑬

Zcela sestavený kočárek je zobrazen na obrázku ⑭

Používání kočárku

Použití spony

viz obrázky 15 - 16

Uvolnění spony

Stiskněte prostřední tlačítko pro odepnutí spony. 15

Zámek spony

Srovnajte sponu bederního pásu se sponou ramenního pásu 16 - 1 a zacvakněte do středové spony. 16 - 2 Jakmile se ozve „cvaknutí“, znamená to, že spona je zcela zajištěná. 16 - 3

! Aby se zabránilo pádu nebo vyklouznutí a vážnému zranění, vždy zajistěte své dítě postrojem.

! Ujistěte se, že dítě je pohodlně zajištěno. Mezi dítětem a ramenním postrojem musí být prostor přibližně na tloušťku jedné ruky.

! Nekřížte ramenní pásy. Tím se vytváří tlak na krk dítěte.

Použití ramenního postroje a postroje do pasu

viz obrázky 17 - 20

! Abyste vaše dítě ochránili před vypadnutím, po usazení dítěte do sedačky zkontrolujte, zda jsou ramenní a bederní postroj ve správné výšce a délce.

17 - 1 Kotva ramenního postroje A

17 - 2 Posuvný regulátor

Pro větší dítě použijte kotvu ramenního postroje A a nejvyšší ramenní sloty. Pro menší dítě použijte kotvu ramenního postroje A a nejnižší ramenní sloty.

Pro úpravu pozice ramenního postroje otočte popruh ramenního postroje z horní polohy kotvy. 18 - 1 Potom provlečte popruh přední částí sedačky. Upravte výšku podle potřeby a provlečte zpět. 18 - 2

Zkontrolujte, zda je nyní ramenní popruh umístěn zpět horní polohou kotvy. 19

! Jakmile je nastavena výška ramenního postroje, popruh MUSÍ být rovněž upevněn v nejvyšším slotu v opěráku.

Pro změnu délky postroje použijte posuvný regulátor. 20 - 1

Stiskněte tlačítko 20 - 2, zatímco taháte za bederní postroj pro úpravu jeho délky. 20 - 3

Úprava opěráku

viz obrázky 21 - 22

Sklopení opěráku

Zatažením za výstupek sklopte opěrák. 21

! Pokud je dítě již usazeno v kočárku, přidržujte opěrák druhou rukou.

Zvednutí opěráku

Přidržte levou a pravou pružinu a zatlačením stavítka úhlu zvedněte opěrák. 22

! Ujistěte se, že náklon je řádně nastaven pro použití.

Úprava opěrky nohou

viz obrázky 23

Opěrka nohou má 2 polohy.

Zvednutí opěrky nohou

Chcete-li zvednout opěrku nohou, zatlačte ji směrem nahoru. Jakmile se ozve „cvaknutí“, znamená to, že opěrka je zcela zajištěná.

Spuštění opěrky nohou

Stiskněte nastavovací tlačítka na obou stranách opěrky nohou 23 - 1 a otočte opěrku nohou směrem dolů. 23 - 2

Použití zámku natáčení předních koleček

viz obrázky 24

Zatlačte zámky natáčení předních koleček směrem nahoru pro udržení směru jízdy. 24

Tip Na nerovném povrchu doporučujeme zablokovat natáčení koleček.

Použití brzdy

viz obrázky 25 - 26

Pro zajištění koleček stlačte páčku brzdy směrem dolů. 25

Pro uvolnění koleček stačí zvednout páčku brzdy směrem nahoru. 26

Tip Když zastavíte, vždy použijte parkovací brzdou.

Použití stříšky

viz obrázky 27

Stříška může být rozložená nebo složená, zatáhněte dopředu nebo dozadu. 27

Používání polstru ramenního postroje a rozkrokového postroje

Polstr ramenního postroje a rozkrokového postroje lze sejmout z popruhu. Při nasazování polstru ramenního postroje a rozkrokového postroje postupujte podle stejných kroků v opačném pořadí.

Úprava držadla

viz obrázky 28

Lze nastavit 3 polohy rukojeti.

Chcete-li nastavit rukojeť, stiskněte levé a pravé tlačítko nastavení rukojeti současně a natočte rukojeť do požadované polohy.

Rozložení kočárku

viz obrázky 29 - 36

! Před rozložením kočárku složte stříšku.

Stiskněte sekundární zámek 29 - 1 a stiskněte tlačítko pro rozložení jednou rukou 29 - 2. Zatlačením kočárku dopředu jej rozložte.

! Uchopte tašku pro přenášení. Kočárek vás bude následovat. 36

Použití příslušenství

Příslušenství se může prodávat zvlášť nebo nemusí být k dispozici v závislosti na regionu.

Používání se zádržným systémem pro novorozence nebo s hlubokým lůžkem

viz obrázky 37 - 46

Při použití s dětským zádržným systémem i-Level, i-Snug, gemm, i-Gemm nebo Ramble si prosím přečtete následující pokyny.

! Máte-li problémy s použitím zádržného systému pro novorozence nebo hlubokým lůžkem, přečtete si prosím jeho vlastní pokyny k použití.

! Nerozkládejte kočárek s nasazeným zádržným systémem pro novorozence nebo hlubokým lůžkem.

Použití pláštěnky

viz obrázky 47

Chcete-li použít pláštěnku, nasadte ji na kočárek a potom připevněte suché zipy na pláštěnce.

! Před použitím pláštěnky zkontrolujte, zda je opěrák v nejnižší poloze a zda je zádržný systém pro novorozence upevněný.

! Při použití pláštěnky prosím vždy zkontrolujte její ventilaci.

- ! Před rozložením vždy zkontrolujte, zda byla pláštěnka očištěna a je suchá.
- ! Nerozkládejte kočárek s nasazenou pláštěnkou.
- ! V horkém počasí neumísťujte dítě do kočárku s nasazenou pláštěnkou.

- ! Pokud kolečka skřípají, použijte lehký olej (např. silikonový sprej, antikorozní olej nebo olej na šicí stroje). Je důležité namazat olejem nápravu koleček. 63
- ! Po používání na pláži kočárek důkladně vyčistěte a odstraňte písek a sůl z mechanismů a nápravy koleček.

Sejmutí látkových částí

viz obrázky 48 - 62

1. Sejměte látkové části podle kroků 48 - 62.
 - ! Drát stříšky po odejmutí dobře uložte. Při sestavování stříšky je nutno jej znovu použít.
2. Při nasazování podhlavníku a novorozenecké vložky postupujte v obráceném pořadí.

Péče a údržba

viz obrázky 63

- ! Odnímatelný polstr sedačky lze prát ve studené vodě bez máchání. Nebělit. Pokyny pro čištění textilních částí kočárku najdete na štítku s pokyny pro péči a údržbu.
- ! K čištění rámu kočárku použijte pouze běžné mýdlo a teplou vodu. Nepoužívejte bělidlo ani detergent. Pravidelně čistěte plastové části měkkým vlhkým hadříkem. Kovové části vždy osušte, abyste zabránili tvorbě rzi, pokud kočárek přišel do kontaktu s vodou.
- ! Pravidelně kontrolujte stav opotřebení součástí a případné uvolněné šrouby, potrhání materiálu nebo švů výrobku. Poškozené součásti podle potřeby vyměňte nebo opravte.
- ! Nadměrné vystavení slunci nebo teplu může způsobit blednutí nebo deformování dílů.
- ! Pokud kočárek navlhne, otevřete stříšku a před uložením ho nechte důkladně oschnout.

SK Vitajte v rodine Joie™

Blahoželáme k tomu, že ste sa stali súčasťou rodiny Joie! Sme nadšení, že sme súčasťou vašej cesty s vašim dieťaťom. Pri cestovaní s Joie Tourist™ Signature používate kvalitný, plne certifikovaný kočík, schválený podľa európskych bezpečnostných noriem STN EN 1888-1:2018. Tento výrobok je vhodný na používanie s deťmi, ktoré vážia menej ako 15 kg. Pozorne si prečítajte túto príručku a dodržiavajte všetky kroky na zabezpečenie pohodlnej jazdy a čo najlepšej ochrany svojho dieťaťa.

Navštívte nás na joiebaby.com, kde si môžete stiahnuť manuály a pozrieť ďalšie zaujímavé výrobky spoločnosti Joie!

Informácie o záruke nájdete na našej webovej stránke joiebaby.com

Obsah

Obrázky	1 - 12
VÝSTRAHA	253
Zostavenie kočíka	256
Rozloženie kočíka	256
Zostavenie a odpojenie predného kolesa	256
Zostavenie a odpojenie zadného kolesa	256
Zostavenie a odpojenie držadla	256

Prevádzka kočíka	257
Použitie spony	257
Použitie ramenných a bedrových popruhov	257
Nastavenie operadla	258
Nastavenie lýtkovej opierky	258
Použitie predného zámku otáčania	259
Použitie brzdy	259
Použitie plátennej striešky	259
Použitie krytu ramenných popruhov a krytu rozkrokového popruhu	259
Nastavenie rukoväte	259
Zloženie kočíka	260
Použitie príslušenstva	260
Použitie s dojčenskou detskou autosedačkou alebo prenosnou postieľkou	260
Použitie krytu proti dažďu	260
Odpojenie mäkkých textílií	261
Starostlivosť a údržba	261

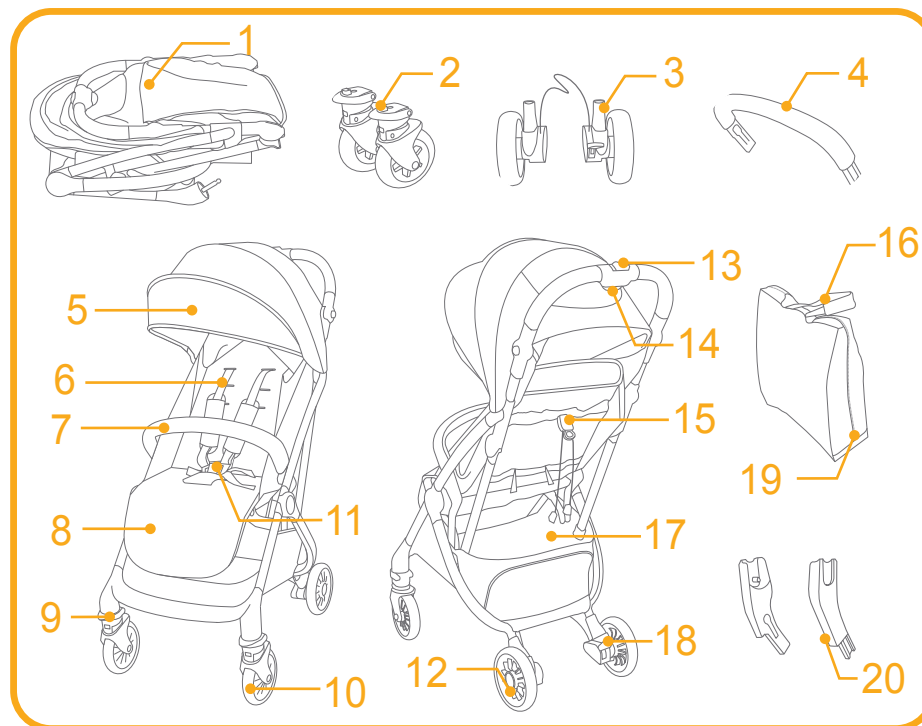
Núdzový stav

V prípade mimoriadnej udalosti alebo nehody je najdôležitejšie, aby bolo o vaše dieťa ihneď postarané v rámci prvej pomoci a lekárskeho ošetrovania.

Informácie o výrobku

Pred používaním tohto výrobku si prečítajte všetky pokyny, ktoré sú v tejto príručke uvedené. V prípade akýchkoľvek ďalších otázok sa obráťte na predajcu. Niektoré funkcie sa môžu líšiť v závislosti od modelu.

Výrobok	Kočík Tourist
Vhodný pre	Dieťa s hmotnosťou do 15 kg (od narodenia do 36 mesiacov)
Materiály	Plast, kov, textil
Patent č.	Patentová prihláška sa prerokúva
Vyrobené v	Číne
Názov značky	Joie
Webová stránka	www.joiebaby.com
Výrobca	Allison Baby UK Ltd.



Zoznam dielov

Pred zostavením skontrolujte, či máte všetky časti. Ak chýba ktorákoľvek časť, obráťte sa na miestneho predajcu. Na zostavenie nie sú potrebné žiadne nástroje.

1	Rám kočíka	11	Spona
2	Predné koleso	12	Zadné koleso
3	Zadné koleso	13	Sekundárny zámok
4	Držadlo	14	Rukoväť na zloženie jednou rukou
5	Plátenná strieška	15	Nastavovací prvok operadla
6	Ramenné popruhy	16	Remienok na nosenie
7	Držadlo	17	Úložný košík
8	Lýtková opierka	18	Brzdová páčka
9	Zámok otáčania	19	Prenosná taška
10	Predné koleso	20	Adaptér

Príslušenstvo

(nemusí byť zahrnuté)

Kryt proti dažďu

Príslušenstvo sa môže predávať samostatne alebo nemusí byť k dispozícii v závislosti od oblasti.



VÝSTRAHA

- ! **VÝSTRAHA** Vždy používajte zadržiavací systém. Bezpečnostné pásy a zadržiavacie systémy sa musia používať správne.
- ! **VÝSTRAHA** Pred použitím skontrolujte, či sú zapojené všetky zaisťovacie zariadenia.
- ! **VÝSTRAHA** Nenechávajte dieťa hrať sa s týmto výrobkom.
- ! **VÝSTRAHA** Pred použitím skontrolujte, či sú teleso kočíka alebo upevňovacie prvky autosedačky správne zaistené.
- ! Montáž musia vykonať dospelé osoby.
- ! Kočík používajte s dieťaťom, ktoré váži menej ako 15 kg. S nevhodným dieťaťom dôjde k poškodeniu kočíka.
- ! Aby ste predišli nebezpečným a nestabilným podmienkam, do úložného košíka neumiestňujte veci s hmotnosťou viac ako 4,5kg.
- ! **VÝSTRAHA** Nikdy nenechajte dieťa bez dozoru. Vždy, keď je dieťa v kočíku, majte naň dobrý výhľad.
- ! Kočík používajte naraz len pre jedno dieťa. Nikdy nepokladajte na rukoväť ani textilnú striešku peňaženky, nákupné tašky, balíky alebo prvky príslušenstva.
- ! Príslušenstvo, ktoré nie je schválené výrobcom, sa nesmie používať. Musia sa používať len náhradné diely dodávané alebo odporúčané výrobcom.
- ! Nikdy nepoužívajte príslušenstvo, časti ani komponenty, ktoré neboli vyrobené alebo schválené výrobcom. Pozorne si prečítajte návod na použitie.
- ! Pred používaním tohto výrobku si prečítajte všetky pokyny, ktoré sú v príručke uvedené. Tento návod na použitie uložte pre budúce použitie. Nedodržanie týchto výstrah a pokynov môže viesť k vážnemu poraneniu alebo smrti.
- ! Aby nedošlo k vážnemu zraneniu v dôsledku vypadnutia či vyklznutia, vždy používajte bezpečnostný pás.
- ! Pri nastavovaní kočíka sa uistite, že je telo dieťaťa mimo pohyblivých častí
- ! Skôr než necháte dieťa priblížiť sa ku kočíku, uistite sa, že je kočík úplne rozložený alebo zložený.
- ! Ak sa nepoužijú popruhy, dieťa môže vkĺznuť do otvorov pre nohy a uškrtiť sa.
- ! Nikdy nepoužívajte kočík na schodoch ani eskalátoroch.
- ! Udržiavajte mimo objektov s vysokou teplotou, tekutín a elektroniky.
- ! Nikdy nedovoľte, aby dieťa stálo na kočíku alebo v ňom sedelo hlavou smerujúcou k prednej časti kočíka.
- ! Nikdy nenechávajte kočík na cestách, svahoch alebo v nebezpečných oblastiach.
- ! Aby sa zabránilo uškrteniu, okolo krku dieťaťa **NEUMIESTŇUJTE** predmety so šnúrkami, šnúrky nenechajte visieť z tohto výrobku ani ich neuväzujte k hračkám.
- ! Akékoľvek zaťaženie pôsobiace na rukoväť a/alebo zadnú stranu operadla a/alebo na boky kočíka ovplyvní stabilitu kočíka.
- ! **NEZDVÍHAJTE** kočík, keď je v ňom dieťa.
- ! **NEPOUŽÍVAJTE** úložný košík ako nosič na dieťa.
- ! Aby ste predišli prevráteniu, nikdy nedovoľte, aby dieťa liezlo na kočík. Pri vkladaní dieťaťa do kočíka a vyberaní z neho ho vždy zdvihnite.
- ! Aby nedošlo k zachyteniu prstov, pri skladaní a rozkladaní kočíka buďte opatrní.
- ! **VÝSTRAHA** Aby ste sa vyhli poraneniu, uistite sa, že je dieťa pri rozkladaní a skladaní tohto výrobku v bezpečnej vzdialenosti.
- ! Aby ste zaistili bezpečnosť dieťaťa, pred používaním kočíka skontrolujte, či sú všetky diely riadne zostavené a dotiahnuté.

- ! Aby sa zabránilo uškrtenu, uistite sa, že je dieťa mimo plátennej striešky a krytu proti dažďu.
- ! Pri parkovaní kočíka vždy zatahnete parkovaciu brzdu.
- ! Prestaňte používať kočík, ak je poškodený alebo porušený.
- ! Kočík sa môže používať len pri rýchlosti chôdze. Tento výrobok nie je určený na používanie pri behaní.
- ! Aby ste predišli uduseniu, pred použitím tohto výrobku odstráňte plastové vrečko a obalové materiály. Plastové vrečko a obalové materiály sa potom musia uchovávať mimo dosahu detí.
- ! Tento výrobok nie je vhodný na behanie alebo korčuľovanie.
- ! Kočík je navrhnutý na používanie od narodenia a pre novo narodené deti sa odporúča používanie úplne sklopenej polohy.
- ! Pri vkladaní a vyberaní detí sa musí aktivovať parkovacie zariadenie.
- ! Prenosná postieľka je vhodná len pre dieťa, ktoré nemôže sedieť bez pomoci, prevrátiť sa a nemôže sa vytlačiť na ruky a kolena. Maximálna hmotnosť dieťaťa: 9kg.
- ! Prenosná postieľka sa NESMIE používať na dlhodobé spanie.
- ! NEPOUŽÍVAJTE ani nepridávajte žiadny iný matrac ako ten, ktorý sa dodáva s prenosnou postieľkou.
- ! Pre dojčenské detské autosedačky používané v spojení s rámom platí, že toto vozidlo nenahrádza postieľku ani posteľ. Ak vaše dieťa potrebuje spať, malo by sa umiestniť do vhodného telesa kočíka, postieľky alebo posteľe.
- ! Keď sa remienok na nosenie nepoužíva, uchovávajte ho v zadnej časti vrečka lýtkovej opierky.

Zostavenie kočíka

(Pozrite si obrázky na strane 1 - 12)

Pred zostavením a používaním tohto výrobku si prečítajte všetky pokyny, ktoré sú v tejto príručke uvedené.

Rozloženie kočíka

pozrite si obrázky ① - ④

! Pred pokračovaním v používaní skontrolujte, či sú západky na kočíku úplne zaistené.

Zostavenie a odpojenie predného kolesa

pozrite si obrázky ⑤ - ⑥

Zostavenie a odpojenie zadného kolesa

pozrite si obrázky ⑦ - ⑩

! Zadné kolesá možno odmontovať stlačením zacvakávacích tlačidiel. ⑨

! Oviňte úložný košík okolo rámu a brzdovej osky a potom ho zacvaknite na miesto. ⑩

Zostavenie a odpojenie držadla

pozrite si obrázky ⑪ - ⑬

Úplne zostavený kočík je zobrazený na obrázku ⑭

Prevádzka kočíka

Použitie spony

pozrite si obrázky 15 - 16

Rozopnutie spony

Stlačením stredného tlačidla rozopnete sponu. 15

Zaistenie spony

Zrovnajte sponu bedrového pásu s ramennou sponou 16 - 1 a zacvaknite do strednej spony. 16 - 2 Zvuk „cvaknutia“ znamená, že je spona úplne zaistená. 16 - 3

- ! Aby ste predišli vážnemu poraneniu v dôsledku pádu alebo vyklznutia, vždy zaistite dieťa pomocou popruhov.
- ! Skontrolujte, či je dieťa pohodlne zaistené. Medzera medzi dieťaťom a ramennými popruhmi je široká asi na hrúbku jednej ruky.
- ! Neprekrížte ramenné pásy. Spôsobí to tlak na krk dieťaťa.

Použitie ramenných a bedrových popruhov

pozrite si obrázky 17 - 20

! Aby bolo vaše dieťa chránené pred vypadnutím, po umiestnení dieťaťa do sedadla skontrolujte, či sú ramenné a bedrové popruhy v správnej výške a či majú správnu dĺžku.

17 - 1 Kotva ramenného popruhu A

17 - 2 Posuvný nastavovací prvok

Pri väčšom dieťati použite kotvu ramenného popruhu A a najvyššie umiestnené ramenné otvory. Pri menšom dieťati použite kotvu ramenného popruhu A a najnižšie umiestnené ramenné otvory.

Ak chcete nastaviť polohu ramenných popruhov, zviňte remienok popruhu z hornej polohy kotvy. 18 - 1 Potom popruh prevlečte smerom k prednej časti sedadla, podľa potreby nastavte výšku a prevlečte ho späť. 18 - 2

Uistite sa, že ramenný popruh je teraz umiestnený naspäť cez hornú polohu kotvy. 19

! Po nastavení výšky ramenných popruhov sa MUSÍ aj remienok zaistiť cez najvyšší otvor v operadle.

Na zmenu dĺžky popruhov použite posuvný nastavovací prvok. 20 - 1

Stlačte tlačidlo 20 - 2 a zároveň potiahnite bedrové popruhy na správnu dĺžku. 20 - 3

Nastavenie operadla

pozrite si obrázky 21 - 22

Sklonenie operadla

Potiahnite jazýček, ak chcete sklopiť operadlo. 21

! Ak už dieťa sedí v kočíku, druhou rukou držte operadlo.

Zvýšenie operadla

Podržte ľavú aj pravú šnúru a zatlačením dohora na uhlový nastavovač zvýšte operadlo. 22

! Skontrolujte, či je sklon nastavený správne pre používanie.

Nastavenie lýtkovej opierky

pozrite si obrázky 23

Lýtková opierka má 2 polohy.

Zdvihnutie lýtkovej opierky

Ak chcete lýtkovú opierku zvýšiť, len ju zatlačte dohora. Zvuk „cvaknutia“ znamená, že je lýtková opierka úplne zaistená.

Zníženie lýtkovej opierky

Stlačte nastavovacie tlačidlá na oboch stranách lýtkovej opierky 23 - 1 a otočte lýtkovú opierku smerom nadol. 23 - 2

Použitie predného zámku otáčania

pozrite si obrázky 24

Vysuňte predné zámky otáčania, ak chcete udržiavať smer pohybu. 24

Tip Na nerovných povrchoch sa odporúča použitie zámkov otáčania.

Použitie brzdy

pozrite si obrázky 25 - 26

Stúpením na brzdovú páčku v smere nadol zablokujete kolesá. 25

Ak chcete kolesá uvoľniť, zdvihnite brzdovú páčku dohora. 26

Tip Vždy, keď sa kočík nepohybuje, zatiahnite brzdovú páčku.

Použitie plátennej striešky

pozrite si obrázky 27

Plátennú striešku možno rozťahnuť alebo zložiť, potiahnite ju dopredu alebo dozadu. 27

Použitie krytu ramenných popruhov a krytu rozkrokového popruhu

Kryt ramenných popruhov alebo kryt rozkrokového popruhu sa dá vybrať z popruhov. Ak chcete zostaviť kryt ramenných popruhov a kryt rozkrokového popruhu, postupujte v opačnom poradí krokov.

Nastavenie rukoväte

pozrite si obrázky 28

Rukoväť možno nastaviť do 3 polôh.

Ak chcete nastaviť rukoväť, stlačte naraz ľavé a pravé nastavovacie tlačidlá rukoväte a otočte rukoväť do požadovanej polohy.

Zloženie kočíka

pozrite si obrázky 29 - 36

! Pred zložením kočíka zložte plátennú striešku.

Stlačte sekundárny zámok 29 - 1 a stlačte tlačidlo na zloženie jednou rukou 29 - 2. Zatláčte kočík dopredu, ak ho chcete zložiť.

! Uchopte prenosnú tašku, kočík vás bude nasledovať. 36

Použitie príslušenstva

Príslušenstvo sa môže predávať samostatne alebo nemusí byť k dispozícii v závislosti od oblasti.

Použitie s dojčenskou detskou autosedačkou alebo prenosnou postieľkou

pozrite si obrázky 37 - 46

Pri použití s detskou autosedačkou Joie i-Level, i-Snug, gemm, i-Gemm alebo Ramble si pozrite nasledujúce pokyny.

! Pri akýchkoľvek problémoch s používaním dojčenskej detskej autosedačky alebo prenosnej postieľky si pozrite ich návody na použitie.

! Neskladajte kočík so stále pripevnenou dojčenskou detskou autosedačkou alebo detskou postieľkou.

Použitie krytu proti dažďu

pozrite si obrázky 47

Ak chcete zostaviť kryt proti dažďu, položte ho na kočík a potom pripevnite cvočky a háčikové a pútkové upínače na kryt proti dažďu.

! Pred použitím krytu proti dažďu sa uistite, že je opierka nastavená do najnižšej polohy a že dojčenská detská autosedačka bola pripútaná.

! Pri používaní krytu proti dažďu vždy skontrolujte vetranie.

- ! Keď sa nepoužíva, pred zložením skontrolujte, či je kryt proti dažďu vyčistený a vysušený.
- ! Neskladajte kočík po namontovaní krytu proti dažďu.
- ! V horúcom počasí nedávajte svoje dieťa do kočíka s namontovaným krytom proti dažďu.

Odpojenie mäkkých textílií

pozrite si obrázky 48 - 62

1. Na odpojenie mäkkých textílií postupujte podľa krokov 48 - 62.
 - ! Drôt plátennej striešky po odmontovaní dobre uschovajte a pri zostavovaní plátennej striešky ho bude potrebné nasadiť znova.
2. Ak budete chcieť pripojiť mäkké textílie späť, zopakujte vyššie uvedené kroky v opačnom poradí.

Starostlivosť a údržba

pozrite si obrázky 63

- ! Vyberateľné čalúnenie sedačky možno prať v studenej vode a sušiť vyvesením a odkvapkaním. Nepoužívajte bielidlo. Pokyny na čistenie textilných častí kočíka nájdete na štítku s návodom na ošetrovanie.
- ! Na čistenie rámu kočíka používajte len domáce mydlo a teplú vodu. Žiadne bielidlo ani čistiaci prostriedok. Pravidelne utierajte plastové časti dočista mäkkou navlhčenou handričkou. Vždy osušte kovové časti, aby sa zabránilo tvorbe hrdze, ak sa kočík dostal do styku s vodou.
- ! Občas skontrolujte, či na kočíku nie sú povolené skrutky, opotrebované súčasti, roztrhnutý alebo rozpáraný materiál. Tieto súčasti vymeňte alebo opravte.
- ! Nadmerné vystavenie slnečnému žiareniu alebo teplu môže spôsobiť vyblednutie alebo deformáciu častí.
- ! Ak je kočík vlhký, roziahnite striešku a nechajte ho pred uskladnením dôkladne vysušiť.

- ! Ak kolesá pískajú, použite jemný olej (napr. silikónový sprej, antikoróznny olej alebo olej do šijacieho stroja). Je dôležité, aby sa olej dostal do zostavy osky a kolesa. 63
- ! Pri používaní kočíka na pláži ho po použití úplne vyčistite, aby ste odstránili piesok a soľ z mechanizmov a zostáv kolies.



Allison Baby UK Ltd.,
Venture Point, Towers Business Park
Rugeley, Staffordshire, WS15 1UZ

bring the kids™

Share the joy at joiebaby.com

P-IM0452K